

Pilot 10/20/30



- + Hand held enclosure for MCR and automation engineering
- + Robust design (Polyamide or Polyester)
- + Execution with handle and integrating cable outlet (Pilot 10, 20 standard)

Included in delivery

Pilot 10/20: enclosure with handle, including cable gland M 20 x 1,5, front plate with fastening screw and wall holder

Pilot 30: two-part Polyester enclosure with self-adhesive aluminium front plate, enclosure screws and wall holder

Technical data

Material	Pilot 10 and Pilot 20: Polyamide; Pilot 30: Polyester
Ingress protection	IP65 to EN 60529
Impact resistance	7 Joule, EN 60079-0
Flammability	Pilot 10 and Pilot 20: UL 94 HB Pilot 30: self-extinguishing UL 94 V-0
Colour	RAL 1003, signal yellow Pilot 30: RAL 1021, rape yellow
Temperature range	-40 °C to +60 °C

Pilot 10/20/30

Product range

Type	Order No.	Enclosure dimensions incl. handle H x W x D (mm)	Front plate dimensions W x H (mm)	Mounting depth (mm)
Pilot 10	29.40 02 00	70 x 93 x 190	61 x 59	67
Pilot 20	29.30 01 00	115 x 93 x 200	106 x 69	67
Pilot 30	29.50 01 00	164 x 116 x 295	70 x 280	71



One button and two button enclosure Pilot 10 / Pilot 20



Integrated handles on Pilot 10 and Pilot 20



Switch enclosure Pilot 30

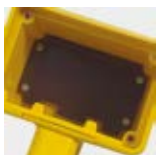
Accessories

Cable gland with bending protection



Order No.	Execution
08.10 01 20	for Pilot 30

Mounting plate



Order No.	Execution
29.31 00 00	for Pilot 20

Wall holder



Order No.	Execution
29.60 01 00	for Pilot 10/20/30

Further accessories see chapter „Electro-mechanical components“



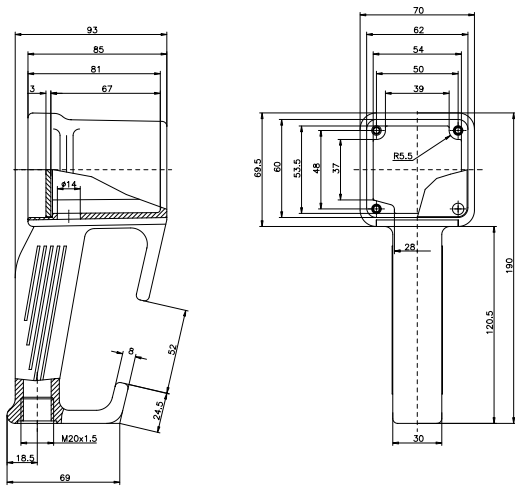
Pilot 10/20/30

Technical details

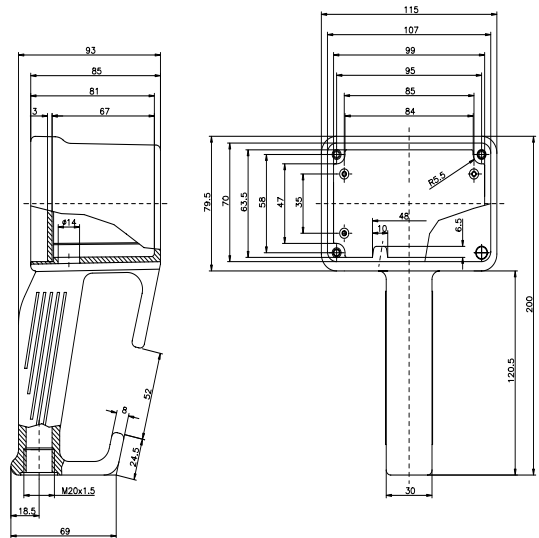


Type	Order No.	Weight (g)
Pilot 10	29.40 02 00	380
Pilot 20	29.30 01 00	440

Pilot 10



Pilot 20



Type	Order No.	Weight (g)
Pilot 30	29.50 01 00	1700

