

Elegant



Detailed product information
can be found on
www.bopla.de



- 4 basic sizes with different heights
- With or without air vents
- Various covers
- Plastic or aluminium front panels (optional)
- Integrated wall hanging unit
- Separate wall brackets (optional)
- Depending on the model, screws for lid fitting from above and quick-release fasteners are available
- Versions with 1 mm recessed membrane keypad area

Colour:

Lid: light grey, similar to RAL 7035; base, covers and front panels: agate grey, similar to RAL 7038; special colours on request

Protection class:

IP 40/DIN EN 60529

With air vents: IP 30/DIN EN 60529

EG 12.. - EG 20...: Higher protection on request (EG..., EG...F)

Enclosure material:

PS (polystyrene); for details see Technical Information



BOPLA

A Phoenix Mecano Company

Many different versions provide optimal protection for the electronics



Continuous surface.



L – with integrated ventilation in the lid and base.



FK – plastic front panel.



The lid and base contain holders / mounting bosses for PCBs.



Prepared contour on the inside for wall mounting (can be penetrated with a standard tool).



Screwing from below conceals screws in the application.



[EMPTY DESCRIPTION - FILL IT IN IMAGE REFERENCE OF CURRENT LANGUAGE (REF-ID: 3798050)]

Elegant | Enclosures



Enclosure

Model	Order no.	A	B	C	c1	c2
EG 1030	32103000	100	54	30	25	2.5
EG 1040	32104000	100	54	40	35	2.5
EG 1230	32123002	125	67	30	24	3
EG 1240	32124002	125	67	40	34	3
EG 1250	32125002	125	67	50	44	3
EG 1530	32153002	150	82	30	24	3
EG 1545	32154502	150	82	45	39	3
EG 1560	32156002	150	82	60	54	3
EG 2030	32203002	200	112	30	24	3
EG 2050	32205002	200	112	50	44	3
EG 2070	32207002	200	112	70	64	3

Scope Of Delivery: Lid, base, screws

Notes: Higher protection class on request.



Enclosure with air vents in the lid and base

Model	Order no.	A	B	C	c1	c2
EG 1030 L	32103010	100	54	30	25	2.5
EG 1040 L	32104010	100	54	40	35	2.5
EG 1230 L	32123012	125	67	30	24	3
EG 1240 L	32124012	125	67	40	34	3
EG 1250 L	32125012	125	67	50	44	3
EG 1530 L	32153012	150	82	30	24	3
EG 1545 L	32154512	150	82	45	39	3
EG 1560 L	32156012	150	82	60	54	3
EG 2030 L	32203012	200	112	30	24	3
EG 2050 L	32205012	200	112	50	44	3
EG 2070 L	32207012	200	112	70	64	3

Scope Of Delivery: Lid and base with air vents, screws



Enclosure with plastic front panels

Model	Order no.	A	B	C	c1	c2
EG 1240 FK	32124042	125	67	40	34	3
EG 1250 FK	32125042	125	67	50	44	3
EG 1545 FK	32154542	150	82	45	39	3
EG 1560 FK	32156042	150	82	60	54	3
EG 2050 FK	32205042	200	112	50	44	3
EG 2070 FK	32207042	200	112	70	64	3

Scope Of Delivery: Lid, base, 2 front panels, screws



BOPLA

A Phoenix Mecano Company

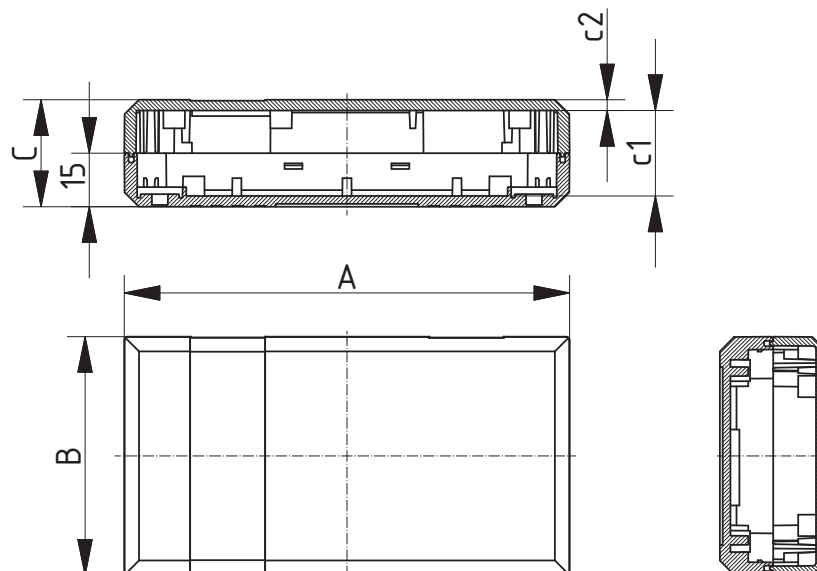
Elegant | Enclosures

Enclosure with membrane keypad area

Model	Order no.	A	B	C	c1	c2
EG 1230 F	32123062	125	67	31	24	3
EG 1240 F	32124062	125	67	41	34	3
EG 1250 F	32125062	125	67	51	44	3
EG 1530 F	32153062	150	82	31	24	3
EG 1545 F	32154563	150	82	46	39	3
EG 1560 F	32156062	150	82	61	54	3
EG 2030 F	32203062	200	112	31	24	3
EG 2050 F	32205062	200	112	51	44	3
EG 2070 F	32207062	200	112	71	64	3

Scope Of Delivery: Lid, base, screws

Notes: Higher protection class on request.



Z-2803244

For accessories, please see the end of the chapter

Elegant | Accessories



Wall brackets, ABS

Model	Order no.	Note
EG-WL	33000200	
EG-WL DO	33000210	Only for use with EG-DO..

Scope Of Delivery: 4 wall brackets, screws



Lid fixing set from above for EG 12.. - 20..

Model	Order no.	Note
EG-DO 30	33100000	For EG 1230, 1530, 2030, not for EG..30 F
EG-DO 40	33100010	For EG 1240, not for EG 1240 F
EG-DO 45	33100020	For EG 1545, not for EG 1545 F
EG-DO 50	33100030	For EG 1250, 2050, not for EG..50 F
EG-DO 60	33100040	For EG 1560, not for EG 1560 F
EG-DO 70	33100050	For EG 2070, not for EG 2070 F

Scope Of Delivery: 4 Screws, 4 threaded inserts

Notes: Enclosure must be mechanically processed.



Quick-release fastener for EG 12.. – 20.., polyamide

Model	Order no.
EG-SV	33000400

Scope Of Delivery: 4 pieces

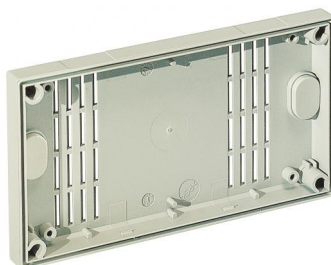
Notes: Not for EG 10..



Press-in tool for EG-SV

Model	Order no.
EG-WZ	33000405*

Scope Of Delivery: 1 press-in tool



Covers for keyhole suspension

Model	Order no.	Colour
EG-AK	33000100	Agate grey

Scope Of Delivery: 1 set = 2 pieces



BOPLA

A Phoenix Mecano Company

Elegant | Accessories

Screw cover, ABS

Model	Order no.	Colour
EG-SA	33000300	Agate grey

Scope Of Delivery: 4 pieces



Rubber feet

Model	Order no.	Colour	Note
GF	22009000	Black	Polyurethane, 65-75 Shore

Scope Of Delivery: 4 pieces

