

GTH 48 easy / GTH 60 easy



- + Stainless steel round tube system with system components
- + Tube diameter 48 and 60 mm
- + Tube Execution S-, J- and I-shape
- + Very compact design
- + Little assembly effort
- + Up to IP rating: IP 69
- + Easy to combine with GTH

Included in delivery

System components and tube mounted if ordered

Technical data

Material	Tube: stainless steel 1.4301 Components: stainless steel 1.4301
Ingress protection	IP66 / 69 to EN 60529
Surface	Tube: grinded, grain 240
Free cable passage	GTH 48: 41 mm GTH 60: 53 mm
Temperature range	-25 °C to +60 °C

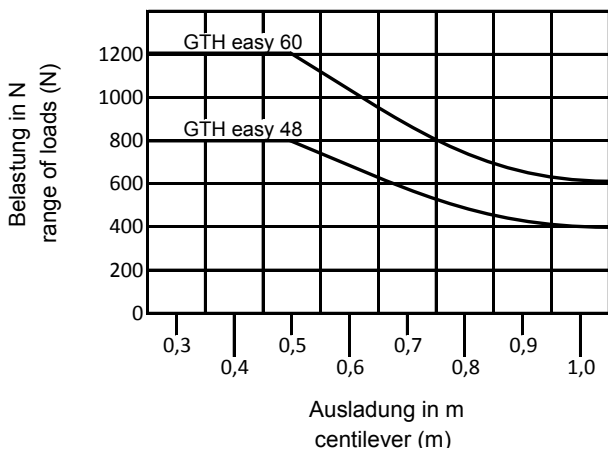


GTH 48 easy / GTH 60 easy

Product range

Type	GTH 48 easy		GTH 60 easy	
	Order No.	Weight (g)	Order No.	Weight (g)
Coupling	57.03 73 00	1100	57.04 73 00	2850
Top-mounted joint	57.03 66 00	3260	57.04 66 00	3910
Console adapter	57.03 76 00	775	57.04 76 00	1266
Wall console	57.03 79 00	2680	57.04 79 00	3190
Tube I (500 mm)	57.03 00 05	1760	57.04 00 05	2490
Tube I (1000 mm)	57.03 00 10	3450	57.04 00 10	4990
Tube I (1500 mm)	57.03 00 15	5300	57.04 00 15	7500
Tube I special length	57.03 00 99		57.04 00 99	
Tube S (500 mm)	57.03 02 05	3250	57.04 02 05	4300
Tube S (1000 mm)	57.03 02 10	4800	57.04 02 10	6850
Tube S special length	57.03 02 99		57.04 02 99	
Tube J (500 mm)	57.03 01 05	3300	57.04 01 05	4380
Tube J (750 mm)	57.03 01 07	5700	57.04 01 07	6350
Tube J (1000 mm)	57.03 01 10	9300	57.04 01 10	9500
Tube J special length	57.03 01 99		57.04 01 99	

Load diagram



GTH 48 easy / GTH 60 easy

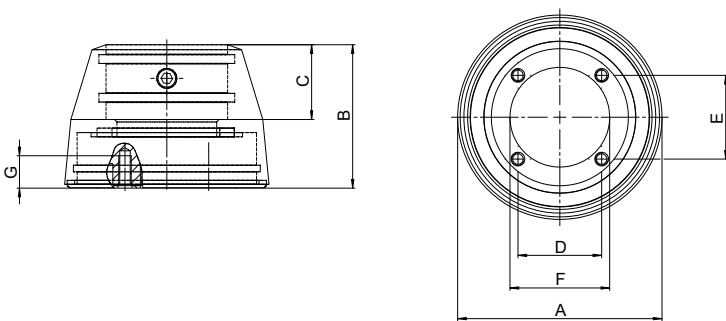
Components

Coupling



Swivelling range 330°

Order No.	for tube	A	B	C	D	E	F	G
GTH 48 easy								
57.03 73 00	Ø 48	82	57,6	30	33,6	33,6	40	13
GTH 60 easy								
57.04 73 00	Ø 60	112	76,2	40	46	46	50	13

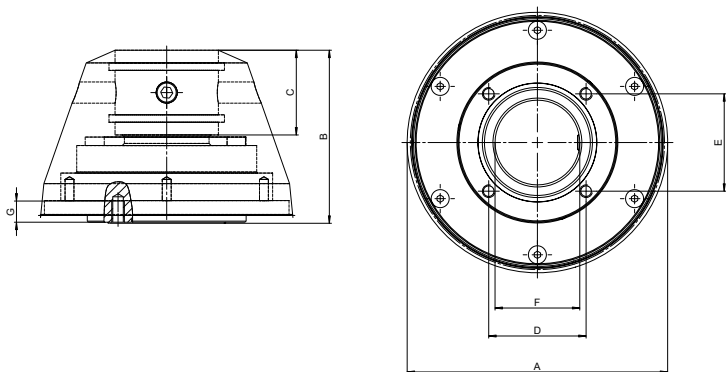


Top-mounted joint



Swivelling range 330°

Order No.	for tube	A	B	C	D	E	F	G
GTH 48 easy								
57.01 66 00	Ø 48	119	81,7	40	46	46	40	10
GTH 60 easy								
57.02 66 00	Ø 60	119	96,7	50	46	46	50	10



GTH 48 easy / GTH 60 easy

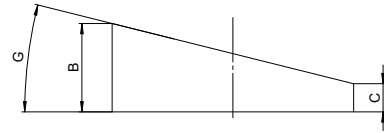
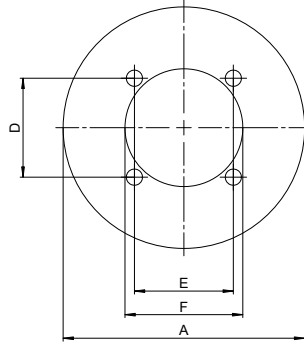
Components

Console adapter



Order No.	for tube	A	B	C	D	E	F	G
GTH 48 easy								
57.03 76 00	Ø 48,3	82	30	9,6	33,6	33,6	40	14°
GTH 60 easy								
57.04 76 00	Ø 60,3	112	33	5	46	46	50	14°

Angle of inclination 14°



GTH 48 easy / GTH 60 easy

Components

Wallconsole



for adaption top-mounted joint or coupling

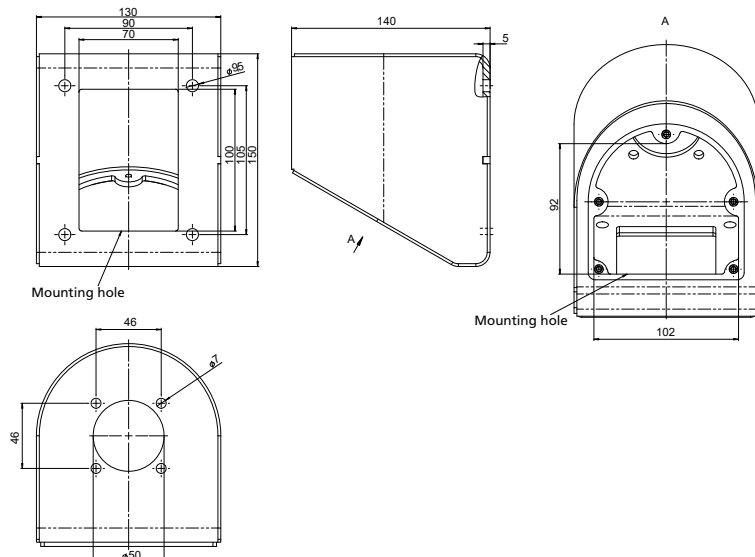
Order No. for tube

GTH 48 easy

57.03 79 00 Ø 48

GTH 60 easy

57.04 79 00 Ø 60

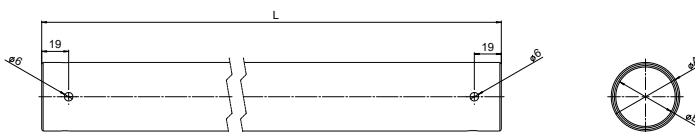


Connecting tube I



Order No.	L1 (mm)	A (außen Ø)	B (innen Ø)	Weight (g)
GTH 48 easy				
57.03 00 05	500	48,3	41,9	1760
57.03 00 10	1000	48,3	41,9	3520
57.03 00 15	1500	48,3	41,9	5280
57.03 00 99	special length	48,3	41,9	-
GTH 60 easy				
57.04 00 05	500	60,3	53,1	2490
57.04 00 10	1000	60,3	53,1	4980
57.04 00 15	1500	60,3	53,1	7470
57.04 00 99	special length	60,3	53,1	-

max. length L1 = 1000 mm



GTH 48 easy / GTH 60 easy

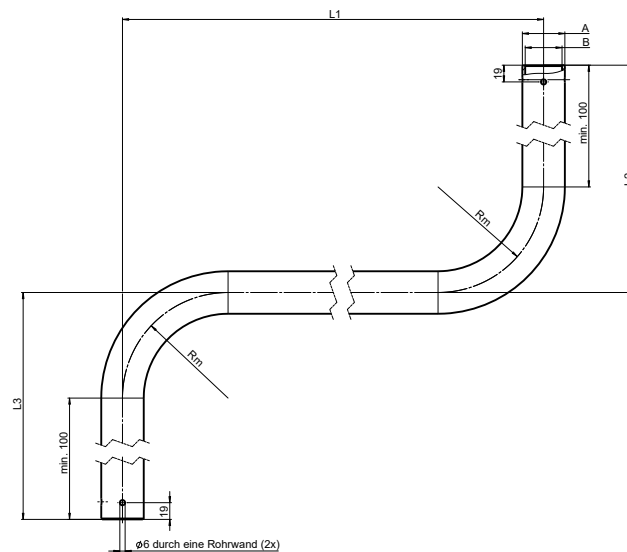
Components

Connecting tube S



Order No.	L1	L2	L3	A	B	Rm	Weight (g)
GTH 48 easy							
57.03 02 05	500	300	300	48,3	41,9	120	3520
57.03 02 10	1000	300	300	48,3	41,9	120	5290
57.03 02 99	special length			48,3	41,9	120	-
GTH 60 easy							
57.04 02 05	500	300	300	60,3	53,1	150	4340
57.04 02 10	1000	300	300	60,3	53,1	150	6580
57.04 02 99	special length			60,3	53,1	150	-

max. length L1 = 1000 mm



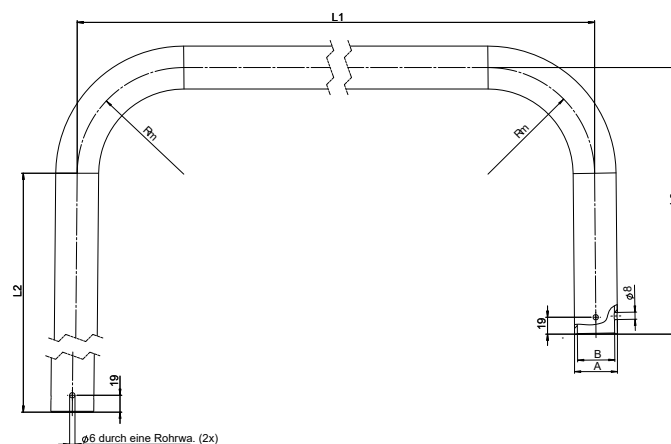
Connecting tube J



Product info:

Individual lengths and executions on request.

Order No.	L1	L2	L3	A	B	Rm	Weight (g)
GTH 48 easy							
57.03 01 05	500	300	300	48,3	41,9	120	3980
57.03 01 07	750	750	300	48,3	41,9	120	5970
57.03 01 10	1000	750	300	48,3	41,9	120	7960
57.03 01 99	special length			48,3	41,9	120	-
GTH 60 easy							
57.04 01 05	500	300	300	60,3	53,1	150	4330
57.04 01 07	750	750	300	60,3	53,1	150	6500
57.04 01 10	1000	750	300	60,3	53,1	150	8660
57.04 01 99	special length			60,3	53,1	150	-



GTH 48 easy / GTH 60 easy

Enquiry Order

Please copy, complete and send to: hmi@rose-pw.de

Company _____

Telephone _____

Contact _____

Fax _____

Address _____

E-Mail _____

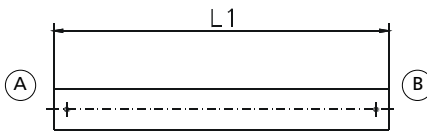
Suspension system GTH 48 easy GTH 60 easy Quantity _____

System consisting of the following components:

Components, side A

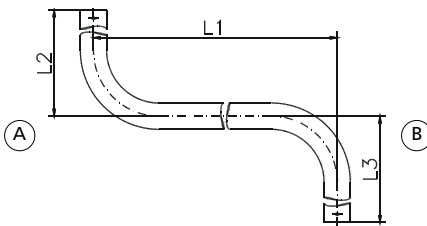
- Coupling
- EMC coupling
- Coupling for external tube fitting
- Top-mounted joint
- EMC top-mounted joint
- Top-mounted joint for external tube fitting
- Foot stand
- Foot stand for ceiling mounting
- Foot stand with cable outlet
- Foot stand (ceiling mounting) with cable outlet
- Console adapter
- Wall console

Connecting tube



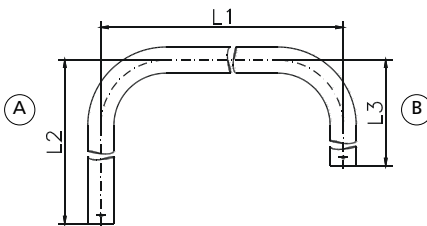
I-tube (L1)

- 500 mm
- 1000 mm
- 1500 mm
- Special length _____ mm



S-tube (L1/L2/L3)

- 500/300/300 mm
- 1000/300/300 mm
- Special length* _____ / _____ / _____ mm



J-tube (L1/L2/L3)

- 500/300/300 mm
- 750/750/300 mm
- 1000/750/300 mm
- Special length* _____ / _____ / _____ mm

* Attention: measure dimension tube center
 min. lengths L2 and L3: 280 mm
 max. lengths L1 = 1000 mm

Components, side B

- Coupling
- Top-mounted joint
- Console adapter
- Wall console

