

BOPLA-Arteb



Detailed product information can be found on www.bopla.de



- 6 sizes
- End caps in six colours
- Caps made of infrared-permissible material
- Various battery compartments
- Definable access protection
- Versions with display cut-out or continuous membrane keypad area
- Comprehensive range of accessories

Colour:

Agate grey, similar to RAL 7038; special colours on request.

Protection class:

IP 40/DIN EN 60529; ART 225 to 865: use seal set to upgrade to IP 65/DIN EN 60529

Enclosure material:

Enclosure and caps made of ABS, seal made of TPE; for details see Technical Information

The special feature of this hand-held enclosure series is its high level of flexibility



The top and bottom sides have different designs and can be used alternatively as an operating and display surface.



Snap-on caps which can function as an enclosure cover are available in 6 colours and 1 infrared-permissive version.



With sizes 555, 655 and 865, definable access protection can be achieved by use of the caps: tool opening, push-button, or blocking.



All sizes are available with a continuous membrane keypad area; 4 sizes additionally with display opening including a non-scratch window.



Up to 3 installation levels are available in the enclosure for PCBs or mounting panels.



On the cap sides a plug-in groove is provided for front or mounting panels. For example, this makes it possible to use adapter connectors with protection class IP 65 during field use.



The power supply to the electronics is variable according to the size: 2-4 micro batteries, 2-6 mignon batteries and 1-2 9V block batteries.



Versions with fitted battery compartments BE 30 (9V block or 2x mignon batteries) or BE 60 (2x 9V block or 4x mignon batteries) are available on request for sizes 555, 655 and 865.



Various accessories such as tip-up or other clips, wall fitting and a desktop drawer are available.

Enclosure	Continuous membrane keypad area	Display opening	Ingress protection IP 40	Upgradable to IP 65	Possible power supply
ART 115	x	–	x	–	2 x micro (LR03, R03, AM4, E92, AAA)
ART 225	x	–	x	x	2 x micro (LR03, R03, AM4, E92, AAA)
ART 335	x	x	x	x	4 x micro (LR03, R03, AM4, E92, AAA) 1 x 9V block battery (6LR61, 6AM6, 522) 2 x or 3 x mignon (LR6, R06, AM3, E91, AA)
ART 555	x	x	x	x	2 x or 3 x mignon (LR6, R06, AM3, E91, AA) 1 x or 2 x 9V block battery (6LR61, 6AM6, 522)
ART 655	x	x	x	x	2 x, 4 x or 6 x mignon (LR6, R06, AM3, E91, AA) 1 x or 2 x 9V block battery (6LR61, 6AM6, 522)
ART 865	x	x	x	x	2 x, 4 x or 6 x mignon (LR6, R06, AM3, E91, AA) 1 x or 2 x 9V block battery (6LR61, 6AM6, 522)

For data and power transfer, the Universal Docking Station chapter contains details of enclosures in two sizes, suitable for all Ardeb enclosures of size 225 and higher.

BOPLA-Arteb 115 | Enclosures

Enclosure with continuous membrane keypad area

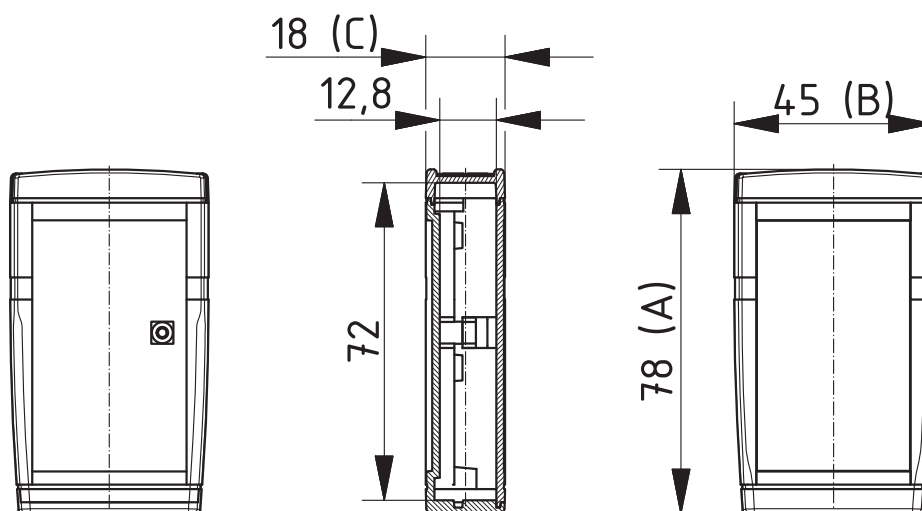
Model	Order no.	A	B	C	Note
ART 115 F	34111511	78	45	18	Membrane keypad area 34.8 x 56.9 x 1.5 mm deep

Scope of delivery: Lid and base, screw cover, screw

PU = 5 pieces

Note: Please order caps separately.

If you wish to leave the enclosure completely accessible, there is no need for the screws, and only the screw covers provide a flush close for the base.



For accessories, please see the end of the chapter

BOPLA-Arteb 225 | Enclosures



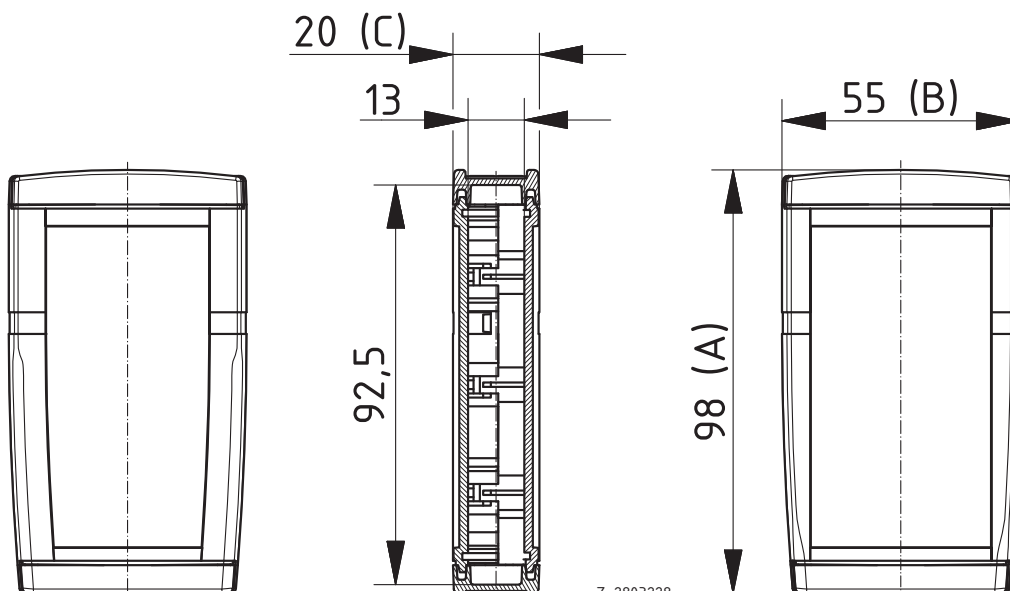
Enclosure with continuous membrane keypad area

Model	Order no.	A	B	C	Note
ART 225 F	34122511	98	55	20	Membrane keypad area lid 42 x 74.4 x 1.5 mm deep

Scope of delivery: Lid and base

PU = 5 pieces

Note: Please order caps separately.



Z-2803228

BOPLA-Arteb 335 | Enclosures

Enclosure with continuous membrane keypad area

Model	Order no.	A	B	C	Note
ART 335 F	34133511	130	75	26	Membrane keypad area 55.8 x 103.4 x 1.5 mm deep

Scope of delivery: Lid and base

PU = 5 pieces

Note: Please order caps separately.



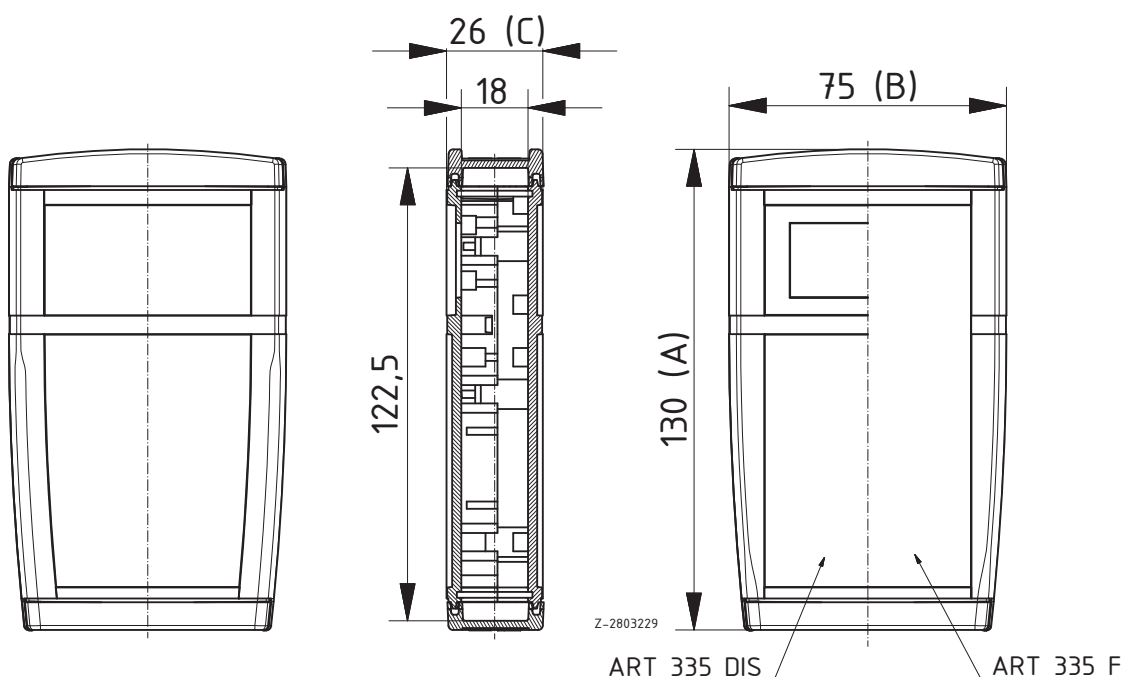
Enclosure with display opening and membrane keypad area

Model	Order no.	A	B	C	Note
ART 335 DIS	34133512	130	75	26	Membrane keypad area 55.8 x 68.4 x 1.5 mm deep

Scope of delivery: Lid and base

PU = 5 pieces

Please order caps and display screens separately.



BOPLA-Arteb 555 | Enclosures



Enclosure with continuous membrane keypad area

Model	Order no.	A	B	C	Note
ART 555 F	34155511	165	92	30	Membrane keypad area 69.9 x 137.4 x 1.5 mm deep
ART 555 F mit BE 30	34155581*	165	92	30	Membrane keypad area 69.9 x 137.4 x 1.5 mm deep
ART 555 F mit BE 60	34155591*	165	92	30	Membrane keypad area 69.9 x 137.4 x 1.5 mm deep

Scope of delivery: Lid and base including fitted, tool-operated snap locks for caps. Versions BE... with additional battery compartment BE 30 or BE 60

PU = 5 pieces

Note: Please order caps separately.



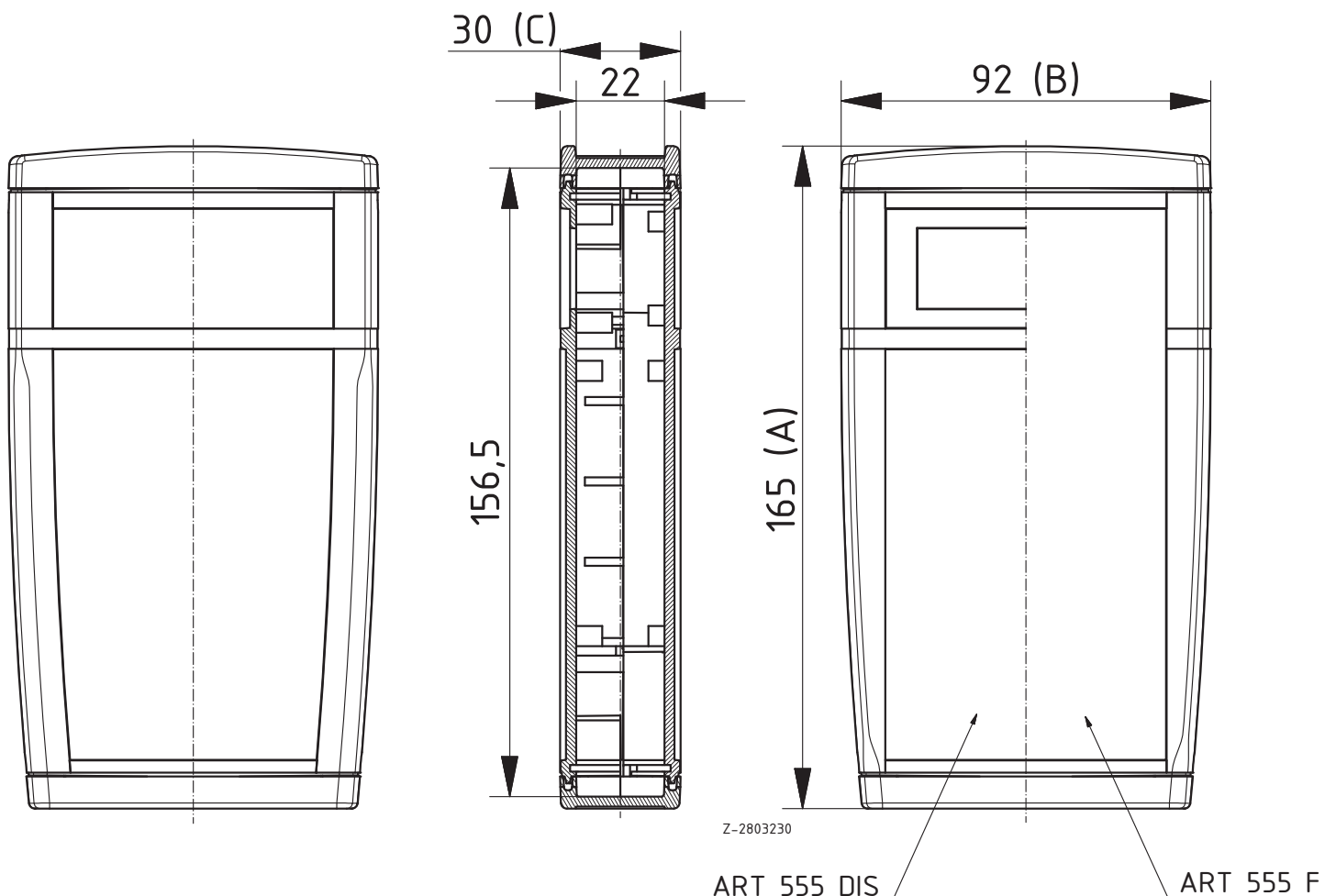
Enclosure with display opening and membrane keypad area

Model	Order no.	A	B	C	Note
ART 555 DIS	34155512	165	92	30	Membrane keypad area 69.9 x 102.4 x 1.5 mm deep
ART 555 DIS mit BE 30	34155582*	165	92	30	Membrane keypad area 69.9 x 102.4 x 1.5 mm deep
ART 555 DIS mit BE 60	34155592*	165	92	30	Membrane keypad area 69.9 x 102.4 x 1.5 mm deep

Scope of delivery: Lid and base including fitted, tool-operated snap locks for caps. Versions BE... with additional battery compartment BE 30 or BE 60

PU = 5 pieces

Please order caps and display screens separately.



BOPLA-Arteb 655 | Enclosures

Enclosure with continuous membrane keypad area

Model	Order no.	A	B	C	Note
ART 655 F	34165511	204	110	41	Membrane keypad area 69.9 x 173.9 x 1.5 mm deep
ART 655 F mit BE 30	34165581*	204	110	41	Membrane keypad area 69.9 x 173.9 x 1.5 mm deep
ART 655 F mit BE 60	34165591*	204	110	41	Membrane keypad area 69.9 x 173.9 x 1.5 mm deep

Scope of delivery: Lid and base including fitted, tool-operated snap locks for caps. Versions BE... with additional battery compartment BE 30 or BE 60

PU = 5 pieces

Note: Please order caps separately.



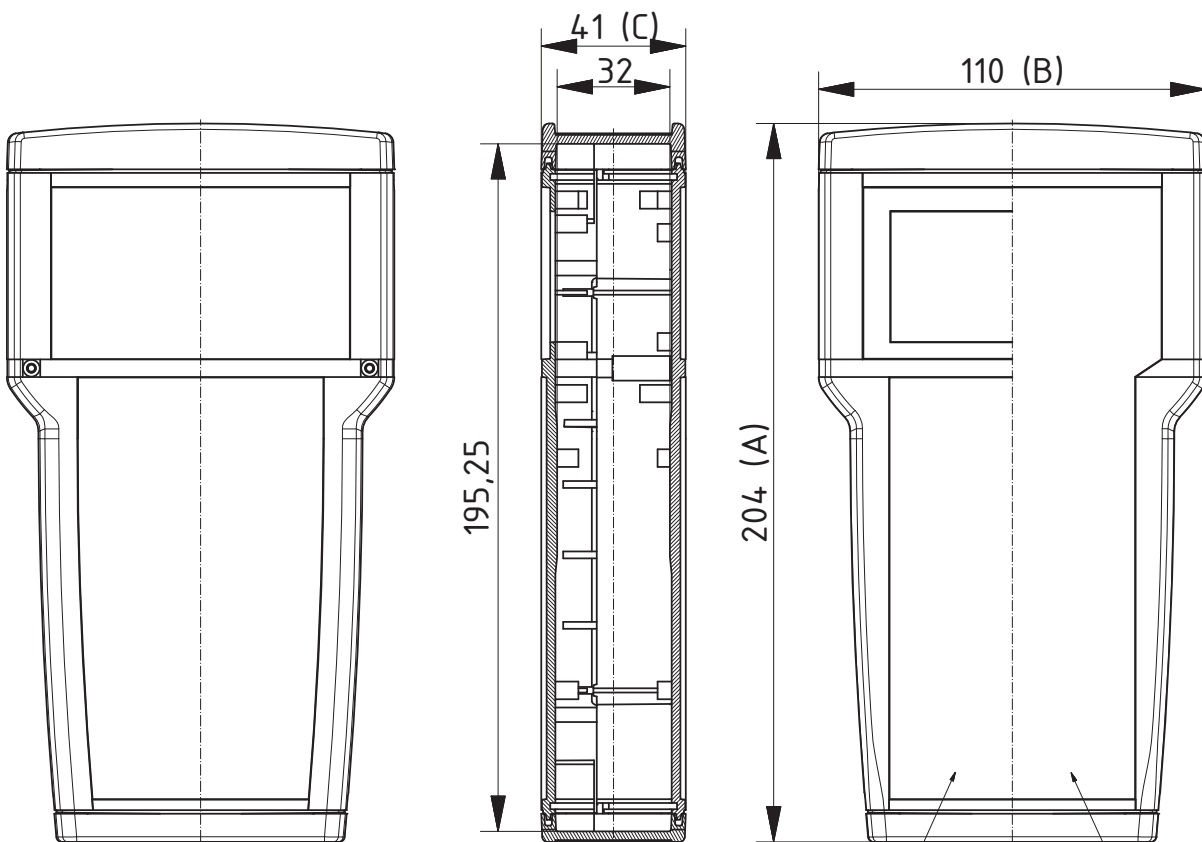
Enclosure with display opening and membrane keypad area

Model	Order no.	A	B	C	Note
ART 655 DIS	34165512	204	110	41	Membrane keypad area 69.9 x 119.9 x 1.5 mm deep
ART 655 DIS mit BE 30	34165582*	204	110	42	Membrane keypad area 69.9 x 119.9 x 1.5 mm deep
ART 655 DIS mit BE 60	34165592*	204	110	42	Membrane keypad area 69.9 x 119.9 x 1.5 mm deep

Scope of delivery: Lid and base including fitted, tool-operated snap locks for caps. Versions BE... with additional battery compartment BE 30 or BE 60

PU = 5 pieces

Note: Please order caps and display screens separately.



Z-2803231

ART 655 DIS

ART 655 F

BOPLA-Arteb 865 | Enclosures



Enclosure with continuous membrane keypad area

Model	Order no.	A	B	C	Note
ART 865 F	34186511	236	125	41	Membrane keypad area 84.9 x 201.9 x 1.5 mm deep
ART 865 F mit BE 30	34186581*	236	125	41	Membrane keypad area 84.9 x 201.9 x 1.5 mm deep
ART 865 F mit BE 60	34186591*	236	125	41	Membrane keypad area 84.9 x 201.9 x 1.5 mm deep

Scope of delivery: Lid and base including fitted, tool-operated snap locks for caps. Versions BE... with additional battery compartment BE 30 or BE 60

PU = 5 pieces

Note: Please order caps separately.



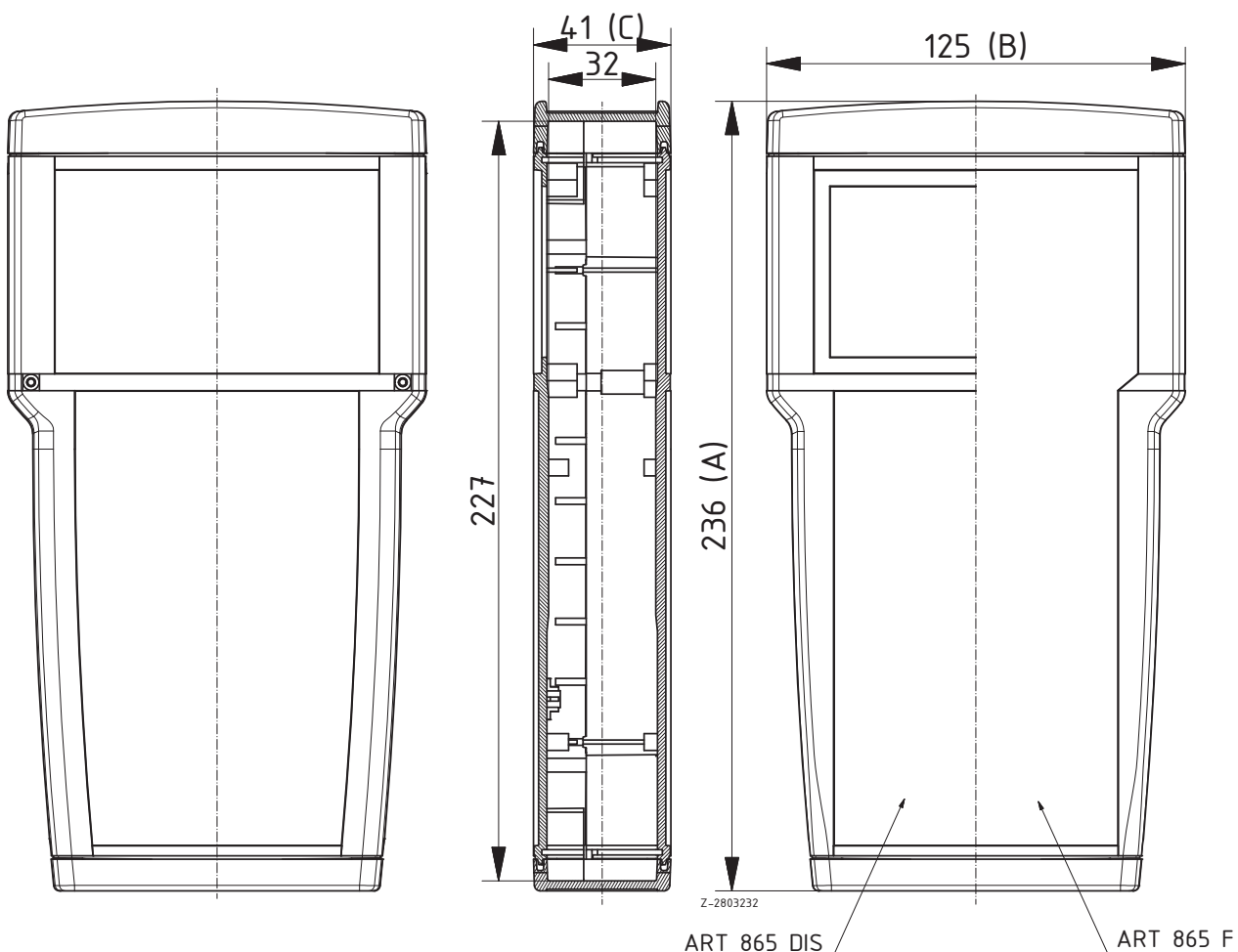
Enclosure with display opening and membrane keypad area

Model	Order no.	A	B	C	Note
ART 865 DIS	34186512	236	125	41	Membrane keypad area 84.9 x 135.9 x 1.5 mm deep
ART 865 DIS mit BE 30	34186582*	236	125	42	Membrane keypad area 84.9 x 135.9 x 1.5 mm deep
ART 865 DIS mit BE 60	34186592*	236	125	42	Membrane keypad area 84.9 x 135.9 x 1.5 mm deep

Scope of delivery: Lid and base including fitted, tool-operated snap locks for caps. Versions BE... with additional battery compartment BE 30 or BE 60

PU = 5 pieces

Please order caps and display screens separately.



BOPLA-Arteb | Accessories

Caps for ART 115

Model	Order no.	Colour
ART 115 KO-7038	34111521	Agate grey
ART 115 KO-6027	34111522	Light green
ART 115 KO-1016	34111523	Sulphur yellow
ART 115 KO-7037	34111524	Dust grey
ART 115 KO-3000	34111525	Flame red
ART 115 KO-5015	34111527	Sky blue
ART 115 KO-IR	34111526	Black, infrared-permissive

Scope of delivery: PU = 5 pieces

Note: KO = cap at top



Caps for ART 225

Model	Order no.	Colour
ART 225 KO-7038	34122521	Agate grey
ART 225 KU-7038	34122531	Agate grey
ART 225 KO-6027	34122522	Light green
ART 225 KU-6027	34122532	Light green
ART 225 KO-1016	34122523	Sulphur yellow
ART 225 KU-1016	34122533	Sulphur yellow
ART 225 KO-7037	34122524	Dust grey
ART 225 KU-7037	34122534	Dust grey
ART 225 KO-3000	34122525	Flame red
ART 225 KU-3000	34122535	Flame red
ART 225 KO-5015	34122527	Sky blue
ART 225 KU-5015	34122537	Sky blue
ART 225 KO-IR	34122526	Black, infrared-permissive

Scope of delivery: PU = 5 pieces

Note: KO = cap at top, KU = cap at bottom



Caps for ART 335

Model	Order no.	Colour
ART 335 KO-7038	34133521	Agate grey
ART 335 KU-7038	34133531	Agate grey
ART 335 KO-6027	34133522	Light green
ART 335 KU-6027	34133532	Light green
ART 335 KO-1016	34133523	Sulphur yellow
ART 335 KU-1016	34133533	Sulphur yellow
ART 335 KO-7037	34133524	Dust grey
ART 335 KU-7037	34133534	Dust grey
ART 335 KO-3000	34133525	Flame red
ART 335 KU-3000	34133535	Flame red
ART 335 KO-5015	34133527	Sky blue
ART 335 KU-5015	34133537	Sky blue
ART 335 KO-IR	34133526	Black, infrared-permissive

Scope of delivery: PU = 5 pieces

Note: KO = cap at top, KU = cap at bottom



BOPLA-Arteb | Accessories



Caps for ART 555

Model	Order no.	Colour
ART 555 KO-7038	34155521	Agate grey
ART 555 KU-7038	34155531	Agate grey
ART 555 KO-6027	34155522	Light green
ART 555 KU-6027	34155532	Light green
ART 555 KO-1016	34155523	Sulphur yellow
ART 555 KU-1016	34155533	Sulphur yellow
ART 555 KO-7037	34155524	Dust grey
ART 555 KU-7037	34155534	Dust grey
ART 555 KO-3000	34155525	Flame red
ART 555 KU-3000	34155535	Flame red
ART 555 KO-5015	34155527	Sky blue
ART 555 KU-5015	34155537	Sky blue
ART 555 KO-IR	34155526	Black, infrared-permissive

Scope of delivery: PU = 5 pieces

Note: KO = cap at top, KU = cap at bottom



Caps for ART 665

Model	Order no.	Colour
ART 655 KO-7038	34165521	Agate grey
ART 655 KU-7038	34165531	Agate grey
ART 655 KO-6027	34165522	Light green
ART 655 KU-6027	34165532	Light green
ART 655 KO-1016	34165523	Sulphur yellow
ART 655 KU-1016	34165533	Sulphur yellow
ART 655 KO-7037	34165524	Dust grey
ART 655 KU-7037	34165534	Dust grey
ART 655 KO-3000	34165525	Flame red
ART 655 KU-3000	34165535	Flame red
ART 655 KO-5015	34165527	Sky blue
ART 655 KU-5015	34165537	Sky blue
ART 655 KO-IR	34165526	Black, infrared-permissive

Scope of delivery: PU = 5 pieces

Note: KO = cap at top, KU = cap at bottom



Caps for ART 865

Model	Order no.	Colour
ART 865 KO-7038	34186521	Agate grey
ART 865 KU-7038	34186531	Agate grey
ART 865 KO-6027	34186522	Light green
ART 865 KU-6027	34186532	Light green
ART 865 KO-1016	34186523	Sulphur yellow
ART 865 KU-1016	34186533	Sulphur yellow
ART 865 KO-7037	34186524	Dust grey
ART 865 KU-7037	34186534	Dust grey
ART 865 KO-3000	34186525	Flame red
ART 865 KU-3000	34186535	Flame red
ART 865 KO-5015	34186527	Sky blue
ART 865 KU-5015	34186537	Sky blue
ART 865 KO-IR	34186526	Black, infrared-permissive

Scope of delivery: PU = 5 pieces

Note: KO = cap at top, KU = cap at bottom

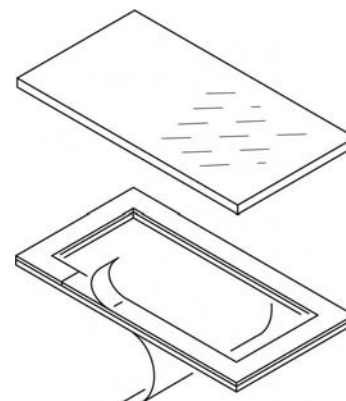
BOPLA-Arteb | Accessories

Display screens with stick-on frame, polycarbonate

Model	Order no.	Note
ART 300 DIS	34130041	For ART 335 DIS
ART 500 DIS	34150041	For ART 555 DIS
ART 600 DIS	34160041	For ART 655 DIS
ART 800 DIS	34180041	For ART 865 DIS

Scope of delivery: PU = 5 pieces

Note: The windows are not printed, non-scratch-coated on one side, and with a stick-on frame. The non-scratch side cannot be printed or glued. Printing is necessary to cover the stick-on frame. Printing and mounting on request.



Partitions for battery compartments, ABS

Model	Order no.	Note
ART 335 BTU 1	34133541*	For 9V block battery in ART 335
ART 335 BTU 2	34133542*	For battery holder BH 2MN (2 mignon batteries) in ART 335
ART 555 BTU 1	34155541*	For battery holder BH 3MN (3 mignon batteries) in ART 555
ART 655 BTU 1	34165541*	For battery holder BH 4MN-BL (4 mignon / 2 9V block batteries) in ART 655
ART 655 BTU 2	34165542*	For battery holder BH 6MN-BL (6 mignon batteries) in ART 655
ART 865 BTU 1	34186541*	For battery holder BH 4MN-BL (4 mignon / 2 9V block batteries) in ART 865
ART 865 BTU 2	34186542*	For battery holder BH 6MN-BL (6 mignon batteries) in ART 865
ART 865 BTU 3	34186543*	For battery holder BH 4MN-BL (4 mignon batteries) or BH 6MN-BL (6 mignon batteries) in ART 865

Scope of delivery: Partitions, adhesive stickers, sponge buffers
PU = 5 pieces

Note: Battery holder as accessories. In ART 865 BTU 3, the battery holder is fitted crosswise, which provides more space in the upper enclosure area. All partitions are equipped with cable penetration.



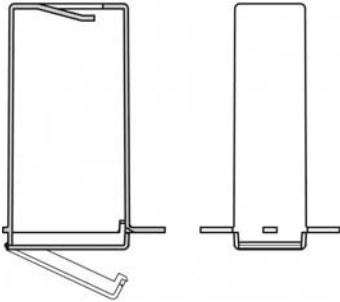
Battery holders

Model	Order no.	Note
BH 2MC	34165572	For 2 micro batteries (LR03, R03, AM4, E92, AAA), connection with soldering tags
BH 4MC	34165573	For 4 micro batteries (LR03, R03, AM4, E92, AAA), connection with soldering tags
BH 2MN	34165574	For 2 mignon batteries (LR6, R06, AM3, E91, AA), connection clip included in scope of delivery
BH 3MN	34165575	For 3 x mignon (LR6, R06, AM3, E91, AA), connection clip included in scope of delivery
BH 4MN-BL	34165576	For 4 mignon batteries (LR6, R06, AM3, E91, AA), connection clip included in scope of delivery
BH 6MN-BL	34165577	For 6 mignon batteries (LR6, R06, AM3, E91, AA), connection clip included in scope of delivery
BH 9V-CLIP	34165578	Clip for 9 V block (6LR61, 6AM6, 522), Connection with soldering tags

Scope of delivery: PU = 5 pieces



BOPLA-Arteb | Accessories

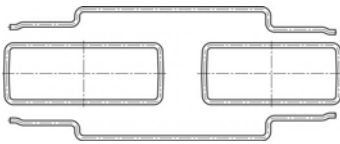


Battery shafts with integrated front panels, PP

Model	Order no.	Note
ART 555 BEU-2MN	34155561	For battery holder BH 2MN (2 mignon batteries) or for 9V block battery in ART 555
ART 655 BEU-2MN	34165561	For battery holder BH 2MN (2 mignon batteries) or for 9V block battery in ART 655
ART 865 BEU-2MN	34186561	For battery holder BH 2MN (2 mignon batteries) or for 9V block battery in ART 865

Scope of delivery: PU = 5 pieces

Note: For mounting, insert the front panel in the enclosure behind the caps.

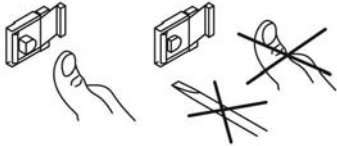


IP 65 seal set

Model	Order no.	Note
ART 225-DI	34122551	For ART 225
ART 335-DI	34133551	For ART 335
ART 555-DI	34155551	For ART 555
ART 655 DI	34165551	For ART 655
ART 865 DI	34186551	For ART 865

Scope of delivery: PU = 5 pieces

Note: Not for use with BE 30/BE 60 versions



Snap locks for ART 555, 655 and 865, polyamide

Model	Order no.	Note
ART SV-HB-7038	34155573	Hand operation
ART SV-SR-7038	34155572	Snap lock, blocking

Scope of delivery: PU = 10 pieces

Tool-operated snap locks are included with enclosures 555-865. Snap locks for manual operation or completely locking can also be fitted.



Dismantling tool for ART 555-865

Model	Order no.
Demontagewerkzeug	34333574

Scope of delivery: 1 dismantling tool



Universal clip and tip-up clip

Model	Order no.	Colour
ASC 1	34090010	Agate grey, similar to RAL 7038
ASC 1	34090000	Black, similar to RAL 9005

Scope of delivery: 1 clip (polyamide), incl. screws

Note: Can be fitted subsequently to all enclosure. Processing of the enclosure on request.

For use as a wall hanging unit when in closed position. Unlock the tip-up bow to swivel it by 90°.

BOPLA-Arteb | Accessories

Wall fitting for ASC 1, ABS

Model	Order no.	Colour
WH-ASC 1-7038	34090011	Agate grey, similar to RAL 7038
WH-ASC 1-9005	34090001	Black, similar to RAL 9005

Scope of delivery: 1 wall fitting



Desktop drawer for ART 225, black

Model	Order no.
ART SL 225	34122515*

Scope of delivery: Drawer and fitting (plastic), 4 screws

PU = 5 pieces

