

- Aluminium profile enclosure system in 5 dimensions for data, PC and MCR technology
- External screw channels guarantee internal area without splinter
- Integrated guide grooves for PCB's
- External system groove (except NoVoTronic 200)
- Variable length by profile system

Technical data

Material:

Enclosure profile: DIN EN 573 EN AW-AlMgSi

Enclosure lid: DIN EN 1706 EN AC-AISI 12 (Fe)

Ingress protection:

IP 65 to EN 60529

Painting:

Powder coating

Colour:

Enclosure body and enclosure lid:
RAL 9005, jet black

Multi-function profile:
RAL 3003, ruby red

EMC:

Optional EMC version

Temperature range:

-40°C to +90°C

Transparent cover: -40°C to +60°C

Included in delivery

Enclosure with 2 Aluminium diecast lids
and 2 multi-function profiles, not screwed

NoVoTronic

Product range

Type	Order No. Standard	Order No. EMC version	Weight (g)	External enclosure dimensions WxHxD (mm)	Internal enclosure dimensions BxHxT (mm)
NoVoTronic 80					
NoVo-Tronic 80-100	07.50 10 10	07.51 10 10	480	106 x 49 x 120	80 x 36 x 100
NoVo-Tronic 80-160	07.50 10 11	07.51 10 11	660	106 x 49 x 180	80 x 36 x 160
NoVo-Tronic 80-200	07.50 10 12	07.51 10 12	780	106 x 49 x 220	80 x 36 x 200
NoVo-Tronic 80-SL	07.50 10 99	07.51 10 99		106 x 49 x SL	80 x 36 x SL
NoVoTronic 100					
NoVo-Tronic 100-100	07.50 20 10	07.51 20 10	550	126 x 49 x 120	100 x 36 x 100
NoVo-Tronic 100-160	07.50 20 11	07.51 20 11	750	126 x 49 x 180	100 x 36 x 160
NoVo-Tronic 100-200	07.50 20 12	07.51 20 12	880	126 x 49 x 220	100 x 36 x 200
NoVo-Tronic 100-SL	07.50 20 99	07.51 20 99		126 x 49 x SL	100 x 36 x SL
NoVoTronic 130					
NoVo-Tronic 130-130	07.50 25 10	07.51 25 10	880	157 x 69 x 150	130 x 57 x 130
NoVo-Tronic 130-160	07.50 25 11	07.51 25 11	1020	157 x 69 x 180	130 x 57 x 160
NoVo-Tronic 130-200	07.50 25 12	07.51 25 12	1200	157 x 69 x 220	130 x 57 x 200
NoVo-Tronic 130-SL	07.50 25 99	07.51 25 99		157 x 69 x SL	130 x 57 x SL
NoVoTronic 160					
NoVo-Tronic 160-160	07.50 30 10	07.51 30 10	1500	190 x 90 x 180	160 x 76 x 160
NoVo-Tronic 160-200	07.50 30 11	07.51 30 11	1800	190 x 90 x 220	160 x 76 x 200
NoVo-Tronic 160-300	07.50 30 12	07.51 30 12	2500	190 x 90 x 320	160 x 76 x 300
NoVo-Tronic 160-SL	07.50 30 99	07.51 30 99		190 x 90 x SL	160 x 76 x SL
NoVoTronic 200					
NoVo-Tronic 200-220	07.50 40 10	07.51 40 10	2500	233 x 121 x 240	200 x 105 x 220
NoVo-Tronic 200-280	07.50 40 11	07.51 40 11	3060	233 x 121 x 300	200 x 105 x 280
NoVo-Tronic 200-330	07.50 40 12	07.51 40 12	3450	233 x 121 x 350	200 x 105 x 330
NoVo-Tronic 200-SL	07.50 40 99	07.51 40 99		233 x 121 x SL	200 x 105 x SL

SL = Special length

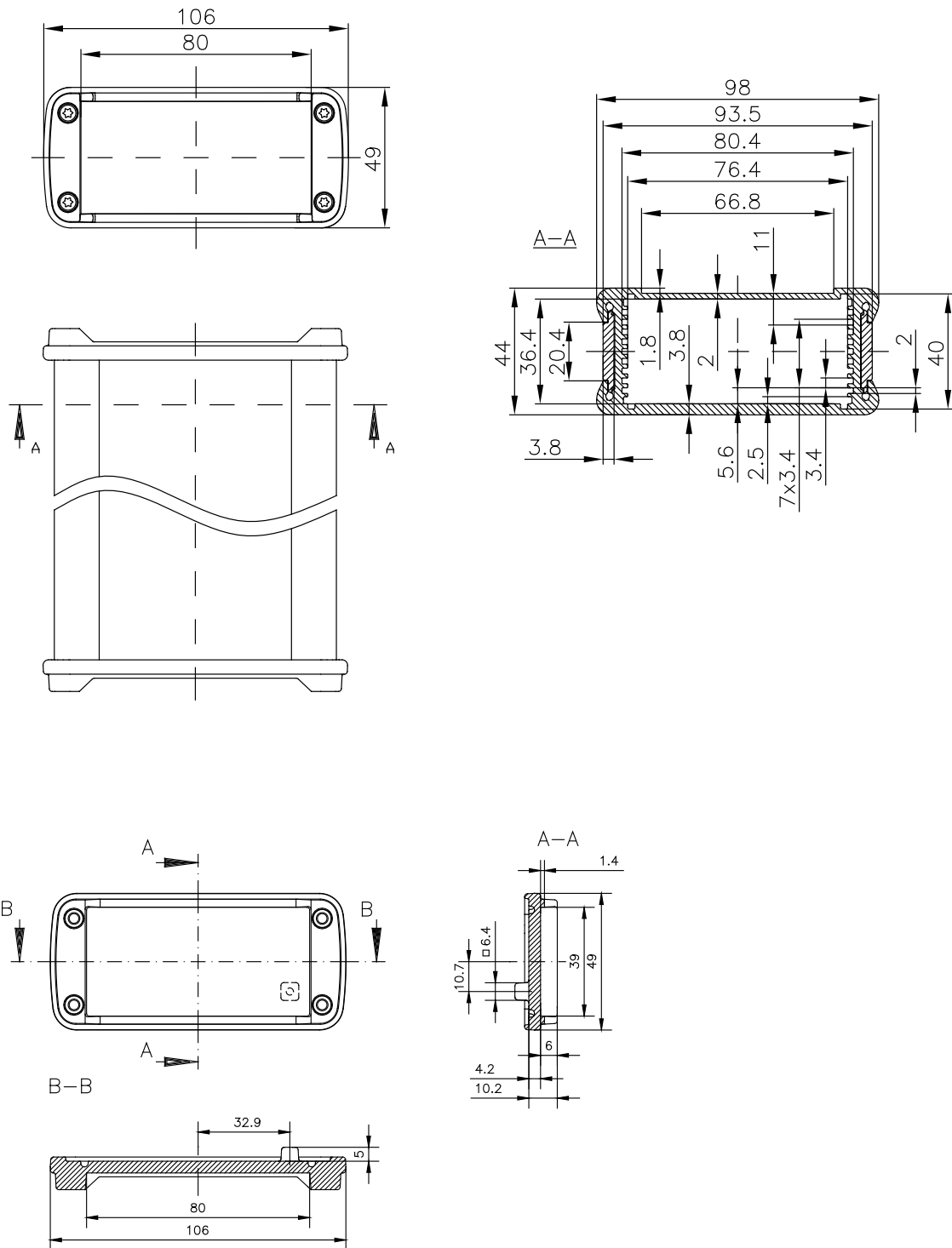
Accessories

	Order No.	NoVoTronic 80	NoVoTronic 100	NoVoTronic 130	NoVoTronic 160	NoVoTronic 200
Wall profile 80/100-100	07.50 90 11	X	X			
Wall profile 80/100-160	07.50 90 12	X	X			
Wall profile 80/100-200	07.50 90 13	X	X			
Wall profile 80/100-SL	07.50 90 99	X	X			
Wall profile 130/160-130	07.50 91 11			X	X	
Wall profile 130/160-160	07.50 91 12			X	X	
Wall profile 130/160-200	07.50 91 13			X	X	
Wall profile 130/160-300	07.50 91 14			X	X	
Wall profile 130/160-SL	07.50 91 99			X	X	
Lid wall holder 80/100	07.50 90 02	X	X			
NoVo wall holder P80	07.50 90 03	X				
NoVo wall holder P100	07.50 90 04		X			
NoVo wall holder P130	07.50 90 15			X		
NoVo wall holder P160	07.50 90 05				X	
Foot / connection element 80	07.50 90 06	X				
Foot / connection element 100	07.50 90 07		X			
Foot / connection element 130	07.50 90 14			X		
Foot / connection element 160	07.50 90 08				X	
Battery insert 9V Block	83.90 00 03	X	X	X	X	X
Battery insert 4xAA cells	83.90 00 06	X	X	X	X	X
PCB profile 200-220	07.50 92 11					X
PCB profile 200-280	07.50 92 12					X
PCB profile 200-330	07.50 92 13					X
PCB profile 200-SL	07.50 92 99					X
PCB profile adjustable 80/100	07.50 92 14	X	X			
PCB profile adjustable 130	07.50 92 15			X		
PCB profile adjustable 160	07.50 92 16				X	
Transparent cover 160	07.50 90 10				X	

SL = Special length

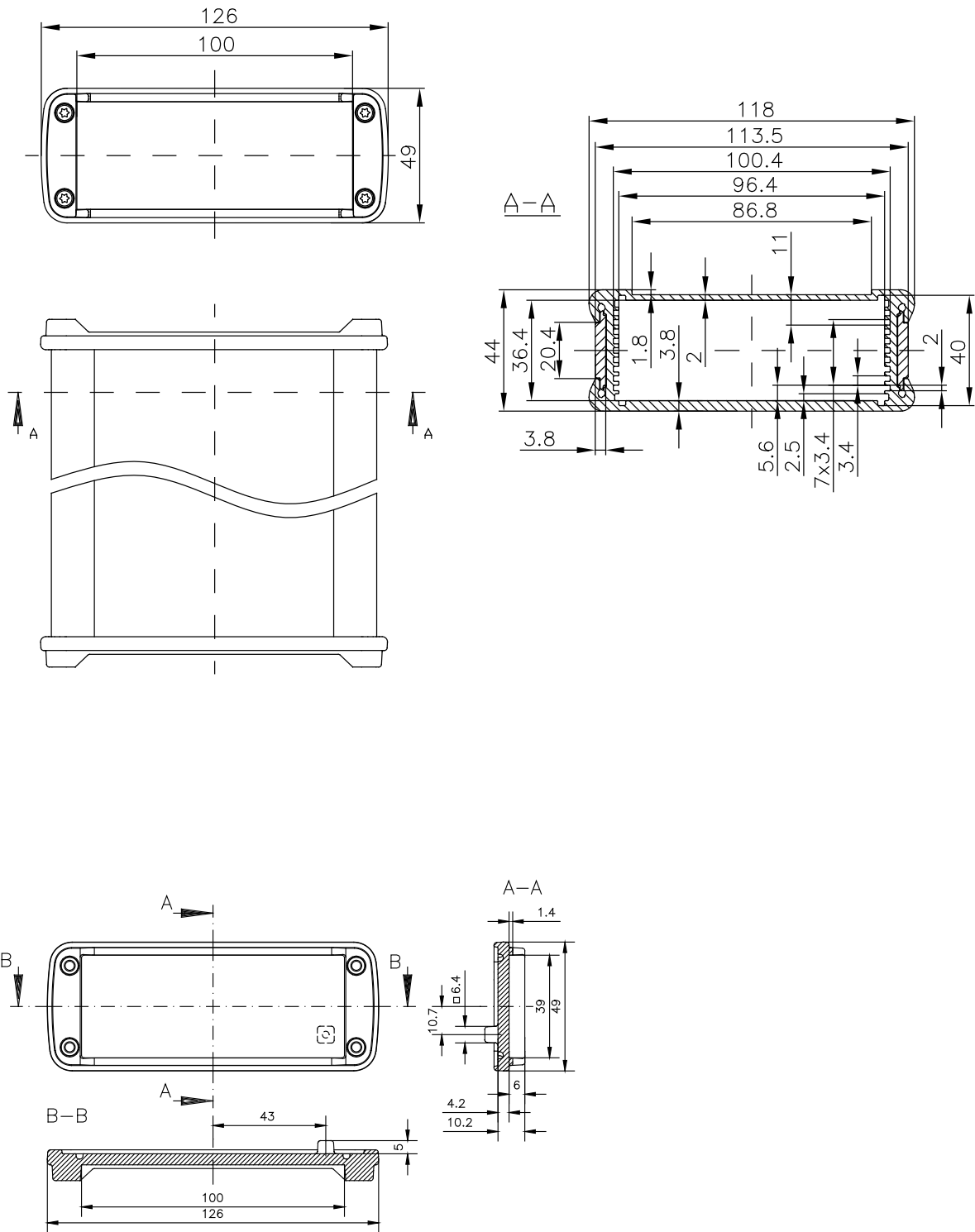
Dimensions

NoVoTronic 80



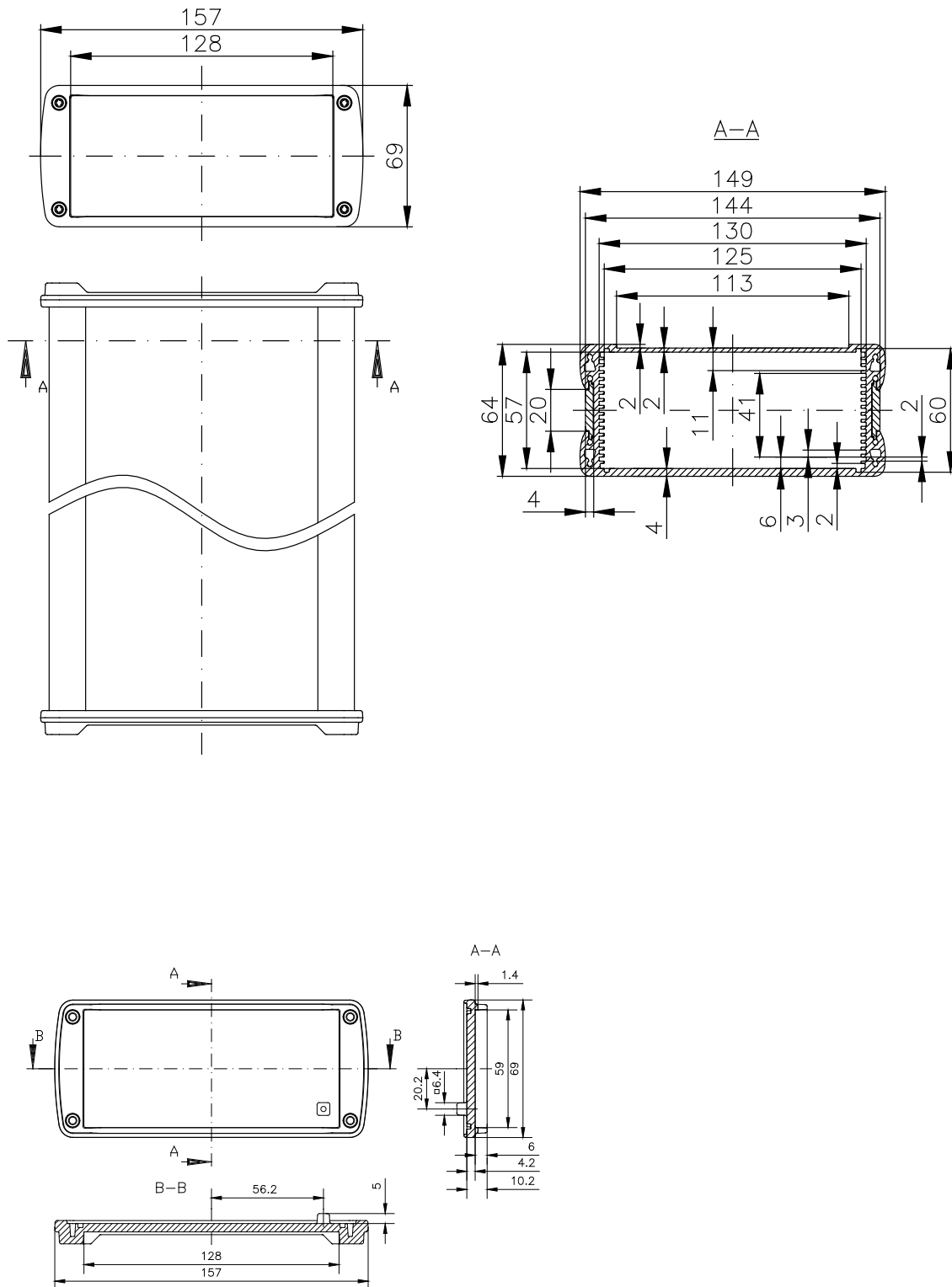
Dimensions

NoVoTronic 100



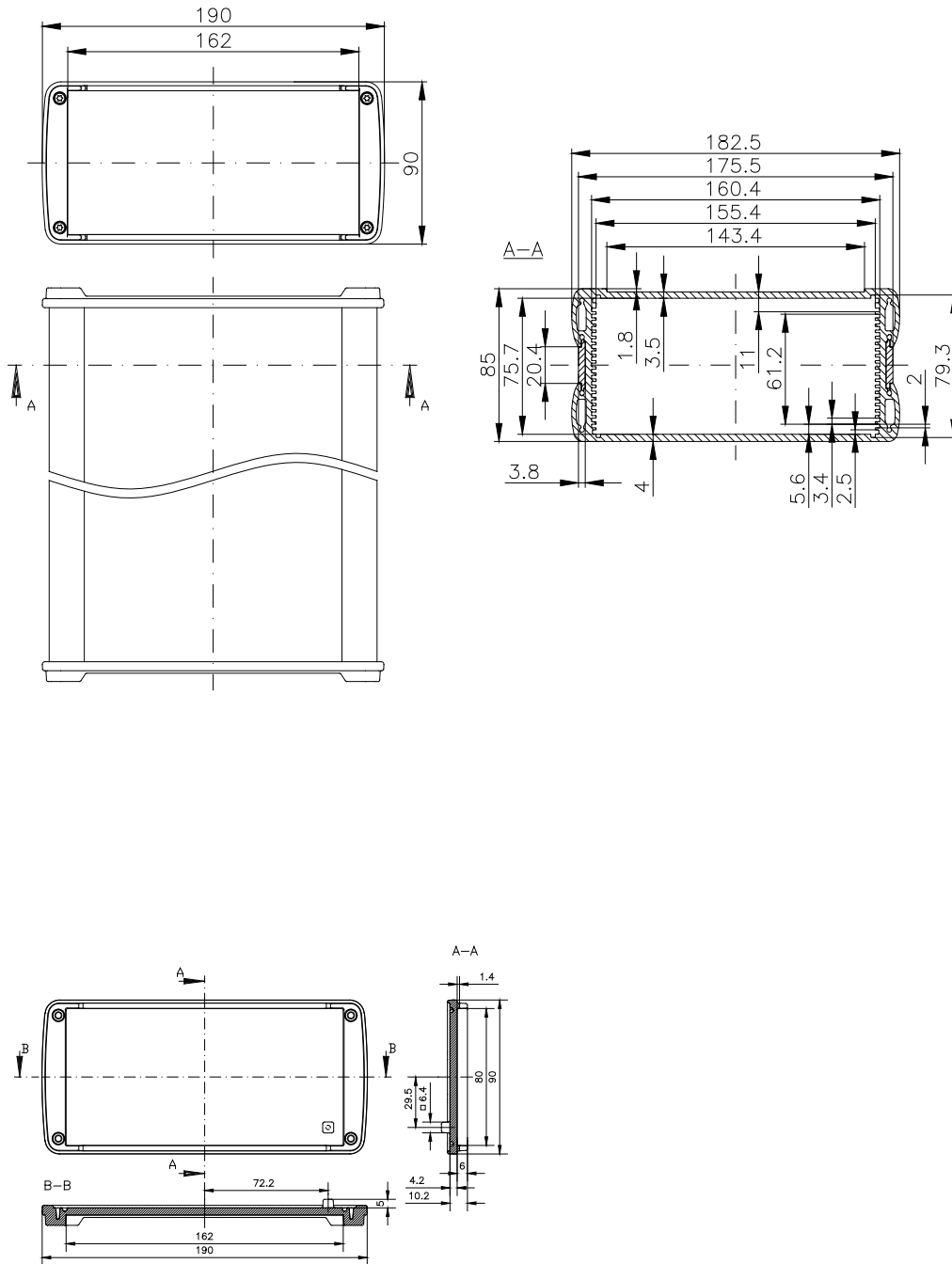
Dimensions

NoVoTronic 130



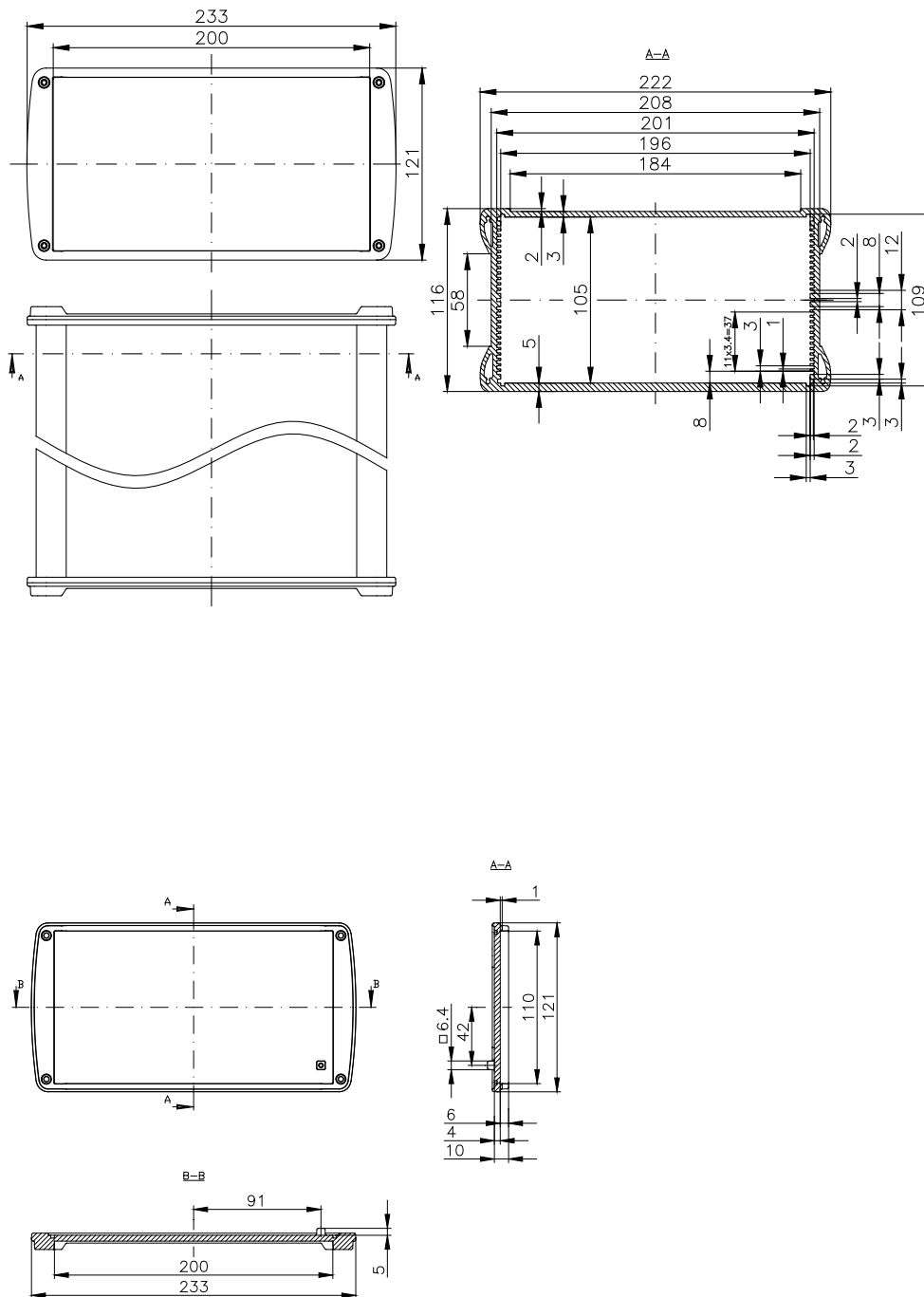
Dimensions

NoVoTronic 160



Dimensions

NoVoTronic 200

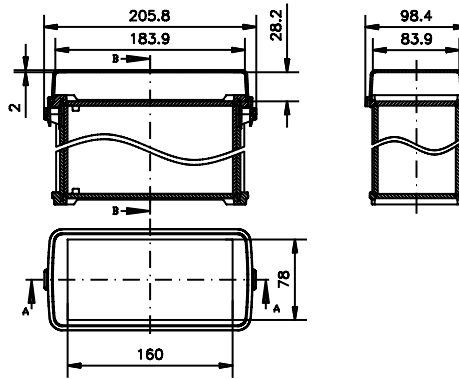


Accessories



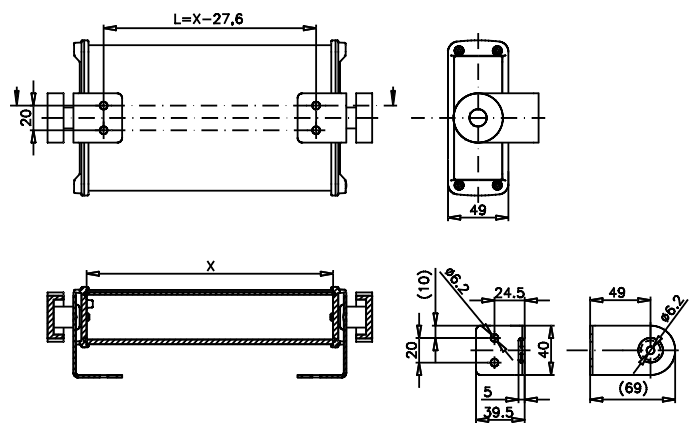
Transparent cover 160
for protection of electro-mechanical components in enclosure lid; ingress protection IP 40

Order No. **07.50 90 10**



Lid wall holder 80/100 (2 pieces)
to screw onto lid for swivelling wall fixing.
Swivel range with mounting on straight area and fastening at middle:
NoVoTronic 80 $\pm 40^\circ$
NoVoTronic 100 $\pm 30^\circ$

Order No. **07.50 90 02**



X = enclosure length

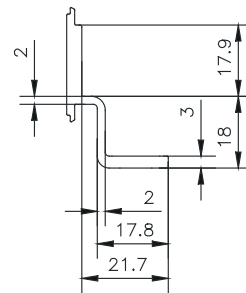
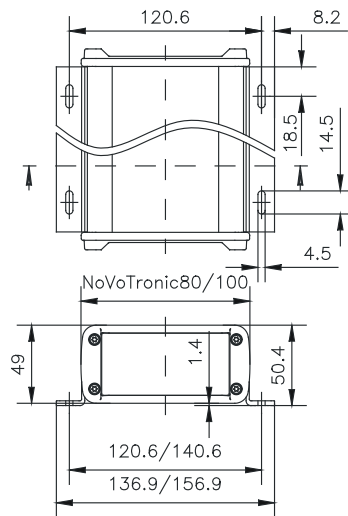
Accessories



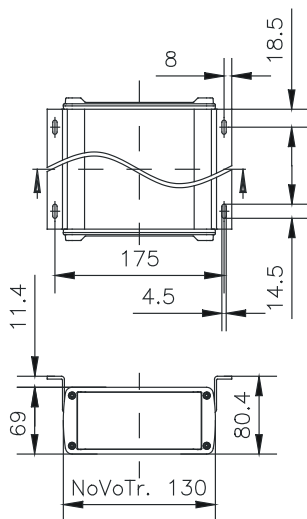
Wall profile (2 pieces)
to insert in system groove for wall fixing

Order No. see page 22

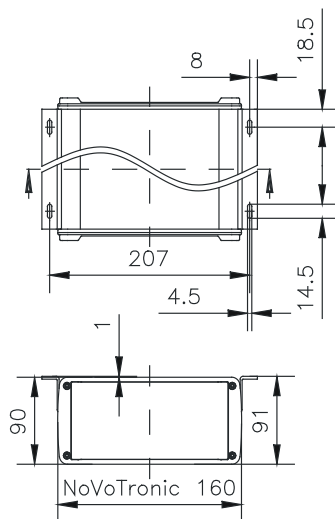
NoVoTronic 80 / 100



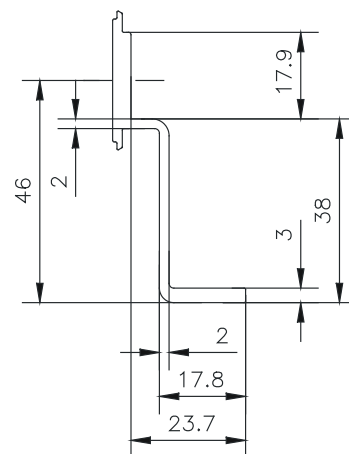
NoVoTronic 130



NoVoTronic 160



Side view NoVoTronic 130, 160

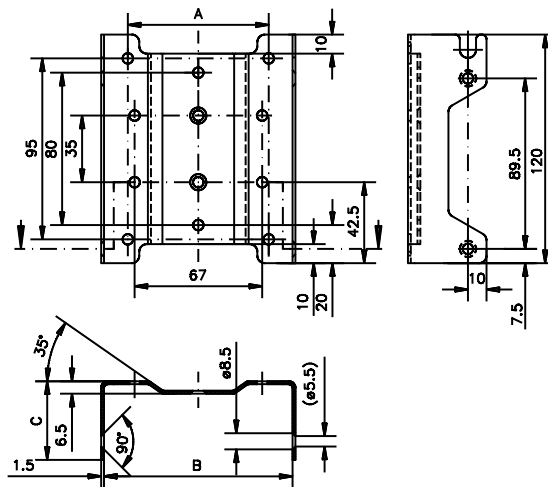


Accessories



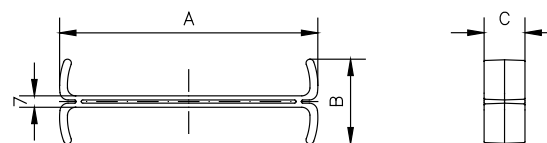
NoVo-Wall holder
for fixing and connection to command system or walls

Order No.	For type	Dimensions		
		A	B	C
07.50 90 03	NoVoTronic 80	74,0	99,0	41,2
07.50 90 04	NoVoTronic 100	90,0	119,0	41,2
07.50 90 15	NoVoTronic 130	116,5	150,0	51,2
07.50 90 05	NoVoTronic 160	150,0	183,5	61,5



Foot / connection element (1 piece)
for stacking or mechanical connection of enclosures

Order No.	For type	Dimensions		
		A	B	C
07.50 90 06	NoVoTronic 80	107,0	33,5	20,0
07.50 90 07	NoVoTronic 100	127,0	33,5	20,0
07.50 90 14	NoVoTronic 130	158,0	51,8	25,0
07.50 90 08	NoVoTronic 160	189,4	64,4	25,0



Accessories



Battery insert

Order No.

83.90 00 03 for 9V Block

83.90 00 06 for 4 x AA cells

