



- + Aluminium profile compact commander in 2 widths
- + Integrated cooling system
- + External system groove
- + Variable profile lengths

### Included in delivery

Profile enclosure body, on rear side door or screwed wall; fastening elements for front panel; front panel order separately

## Technical data

<b>Material</b>	Enclosure profile: DIN EN 573 EN AW-AlMgSi Enclosure lid: DIN EN 1706 EN AC-AISI 12 (Fe)
<b>Painting</b>	Powder coating
<b>Colour</b>	Enclosure body and enclosure lid: RAL 7035, light grey Multi function profile: RAL 9005, jet black
<b>Ingress protection</b>	IP65 to EN 60529
<b>Temperature range</b>	-30 °C to +65 °C

## Product range

Type	Order No.	Order No. Front plate	Weight (g)
CT 110-350-S	<b>20.80 10 10</b>	<b>20.80 91 01</b>	7000
CT 110-520-S	<b>20.80 10 20</b>	<b>20.80 91 02</b>	8500
CT 110-SL-S	<b>20.80 10 99</b>	<b>20.80 91 98</b>	-
CT 110-350-S-GT	<b>20.80 11 10</b>	<b>20.80 91 01</b>	7000
CT 110-520-S-GT	<b>20.80 11 20</b>	<b>20.80 91 02</b>	8500
CT 110-SL-S-GT	<b>20.80 11 99</b>	<b>20.80 91 98</b>	-
CT 145-350-S	<b>20.80 40 10</b>	<b>20.80 91 03</b>	9600
CT 145-520-S	<b>20.80 40 20</b>	<b>20.80 91 04</b>	11400
CT 145-SL-S	<b>20.80 40 99</b>	<b>20.80 91 99</b>	-
CT 145-350-S-GT	<b>20.80 42 10</b>	<b>20.80 91 03</b>	9600
CT 145-520-S-GT	<b>20.80 42 20</b>	<b>20.80 91 04</b>	11400
CT 145-SL-S-GT	<b>20.80 42 99</b>	<b>20.80 91 99</b>	-

SL = special length

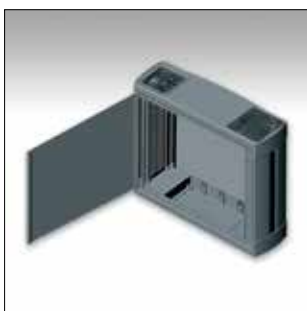
### Suspension adaptation

for adaptation of ROSE suspension systems

- GT 48 and GTK electronic for ComTronic 110
- GTN II for ComTronic 145
- other machining by version "without coupling hole" available

Type	GT 48/2 GTS	GTK electronic	GTN II	without coupling hole
CT110-350-S				•
CT110-520-S				•
CT110-SL-S				•
CT110-350-S-GT	•	•		
CT110-520-S-GT	•	•		
CT110-SL-S-GT	•	•		
CT145-350-S				•
CT145-520-S				•
CT145-SL-S				•
CT145-350-S-GT			•	
CT145-520-S-GT			•	
CT145-SL-S-GT			•	

### Rear wall mounting



#### 1. Door with fast lock system

- Standard version
- Hinge side is fixed by pin screw with blind plugs
- Lock side is provided only by pin screws



#### 2. Door with turn bolt fastener

- Option available
- Hinge side is fixed by pin screw with blind plugs
- Lock side is provided with two turn bolt fasteners



#### 3. Rear wall completely closed

- Optional available
- Rear wall fixed by screws

## Accessories

### Front plate

Order No.	Execution
<b>20.80 91 01</b>	for 20.80 10 10; 20.80 11 10
<b>20.80 91 02</b>	for 20.80 10 20; 20.80 11 20
<b>20.80 91 98</b>	for 20.80 10 98; 20.80 11 99
<b>20.80 91 03</b>	for 20.80 40 10; 20.80 42 10
<b>20.80 91 04</b>	for 20.80 40 20; 20.80 42 20
<b>20.80 91 99</b>	for 20.80 40 99; 20.80 42 99

### Handle set



Order No.	Execution
<b>20.80 90 02</b>	L = 350 mm (set = 2 pcs)
<b>20.80 90 03</b>	L = 500 mm (set = 2 pcs)
<b>20.80 90 99</b>	Special length (set = 2 pcs)

### Mounting set

Order No.
<b>10.03 31 01</b>

### Cover plate

Order No.	Execution
<b>20.80 90 04</b>	for CT 110 (4 pcs)
<b>20.80 90 05</b>	for CT 145 (4 pcs)

### Wall holder



Order No.
<b>20.80 90 01</b>

### Ventilator



Order No.	Execution
<b>83.90 00 04</b>	Ventilator 60 for ComTronic 110 (1 pc)
<b>83.90 00 05</b>	Ventilator 92 for ComTronic 145 (1 pc)

### NoVoTronic-adapter



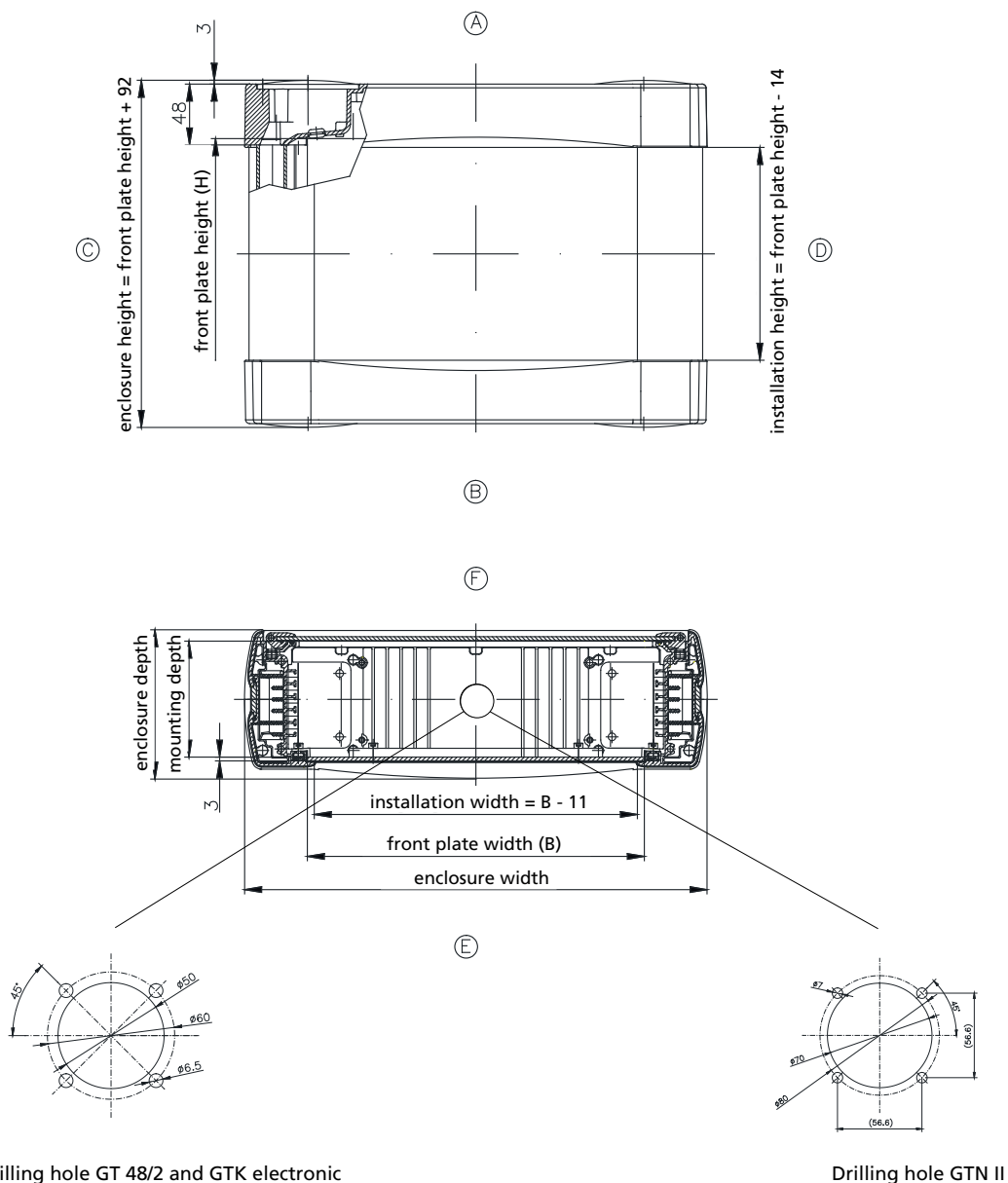
Order No.	Execution
<b>20.80 90 06</b>	NoVoTronic-adapter P80
<b>20.80 90 07</b>	NoVoTronic-adapter P100
<b>20.80 90 08</b>	NoVoTronic-adapter P160

Further accessories see Commander system accessories

## Technical details

Type	Order No.	Front plate W x H (mm)	Installation W x H (mm)	Enclosure W x H (mm)	Mounting depth	Enclosure depth
CT 110-350-S	<b>20.80 10 10</b>	266 x 350	255 x 336	365 x 442	91	118
CT 110-350-S-GT	<b>20.80 11 10</b>	266 x 350	255 x 336	365 x 442	91	118
CT 110-520-S	<b>20.80 10 20</b>	266 x 520	255 x 506	365 x 612	91	118
CT 110-520-S-GT	<b>20.80 11 20</b>	266 x 520	255 x 506	365 x 612	91	118
CT 110-SL-S	<b>20.80 10 99</b>	266 x SL	255 x SL	365 x SL	91	118
CT 110-SL-S-GT	<b>20.80 11 99</b>	266 x SL	255 x SL	365 x SL	91	118
CT 145-350-S	<b>20.80 40 10</b>	351 x 350	340 x 336	453 x 442	127	153
CT 145-350-S-GT	<b>20.80 42 10</b>	351 x 350	340 x 336	453 x 442	127	153
CT 145-520-S	<b>20.80 40 20</b>	351 x 520	340 x 506	453 x 612	127	153
CT 145-520-S-GT	<b>20.80 42 20</b>	351 x 520	340 x 506	453 x 612	127	153
CT 145-SL-S	<b>20.80 40 99</b>	351 x SL	340 x SL	453 x SL	127	153
CT 145-SL-S-GT	<b>20.80 42 99</b>	351 x SL	340 x SL	453 x SL	127	153

SL = Special length



Drilling hole GT 48/2 and GTK electronic

Drilling hole GTN II



Company \_\_\_\_\_ Telephone \_\_\_\_\_

Contact \_\_\_\_\_ Telefax \_\_\_\_\_

Address \_\_\_\_\_ E-Mail \_\_\_\_\_

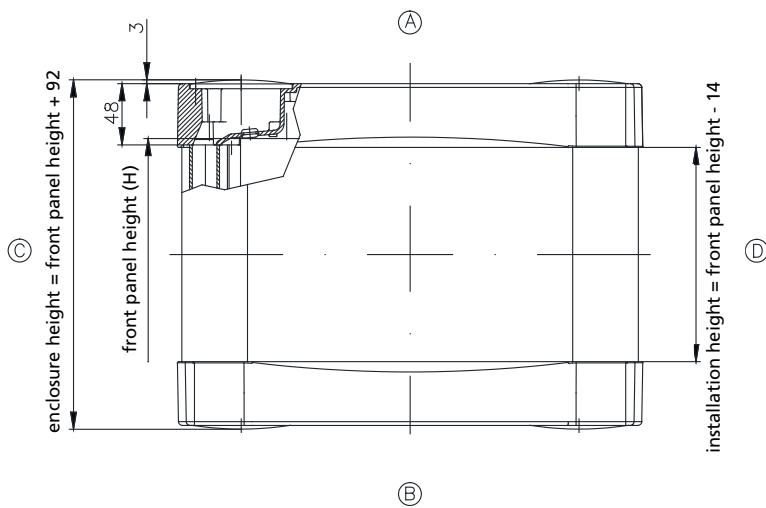
Project \_\_\_\_\_ Quantity \_\_\_\_\_ Lot size \_\_\_\_\_

**Dimensions operating enclosures**

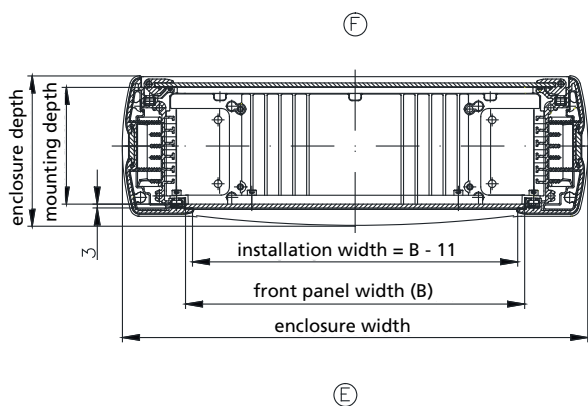
- ComTronic 110  
 for front panel 266 x 350 mm (W x H)     for front panel 266 x 520 mm (W x H)  
 for front panel 266 x special length mm (W x H)

- ComTronic 145  
 for front panel 351 x 350 mm (W x H)     for front panel 351 x 520 mm (W x H)  
 for front panel 351 x special length mm (W x H)

front panel dimension special length H (mm) \_\_\_\_\_ (high)



	110	145
Mounting depth:	91	127
Enclosure depth:	118	153
Installation width:	255	340



Front panel mounted:     yes     no

Modified acc. to drawing no.: \_\_\_\_\_

or specify manufacturer / control type \_\_\_\_\_

Accessory to inquiry / order

Company: \_\_\_\_\_

Rear wall

- With fast lock system (standard)
- With turn bolt fastener

Hinged side \_\_\_\_\_ (standard side D)  
 Hinged side \_\_\_\_\_ (standard side D)

- Square 6 mm (standard)
- Screwed

Triangular 6,5 mm       Slot 1,5 mm

Rear wall machining acc. drawing no. \_\_\_\_\_

Colour

- Standard: light grey, RAL 7035
- Special colour (please specify RAL colour single):

Profile RAL \_\_\_\_\_ Lid RAL \_\_\_\_\_ Slot-in strip RAL \_\_\_\_\_ (standard: black)

Suspension system

without

GTK electronic or GT 48/2

Side \_\_\_\_\_ (standard side A by ComTronic 110)

GTS

Side \_\_\_\_\_ (standard side A by ComTronic 110)

GTN II

Side \_\_\_\_\_ (standard side A by ComTronic 110)

Moterm

other \_\_\_\_\_ Drawing no. \_\_\_\_\_ Side \_\_\_\_\_

Total weight of mountings ca. \_\_\_\_\_ kg

Handle set

Side C and D

Special colour RAL \_\_\_\_\_ (standard: black)

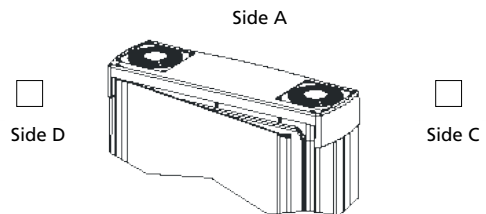
Special length \_\_\_\_\_ mm

Ventilator (1 pcs.)

Standard 2 pcs.

Side \_\_\_\_\_ (standard: side A)

divergent by inset of only one ventilator



Cover elements (4 pcs.)

(or hygienic areas) attention: none optimal cooling effect!

NoVoTronic adapter

Side \_\_\_\_\_ (standard: side D)

Wall holder-CT

Side \_\_\_\_\_ (standard: Side C)

Other machining / special versions

acc. drawing no.: \_\_\_\_\_

