

## SL 3000



- + Universal control enclosure for automation technology
- + Variable size in height, width and depth
- + Hinged door profile at front and rear
- + Front plate insertion from front or rear

### Included in delivery

Enclosure body with rear wall, fixing elements, cover profile with corners

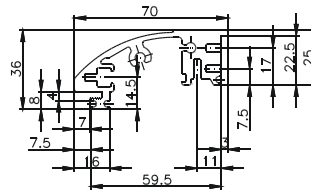
### Technical data

|                           |   |
|---------------------------|---|
| <b>Material</b>           | Profile: DIN EN 573 EN AW-AMgSi<br>Cast corner: DIN EN 1706 EN AC-AISI 12 Cu 1 (Fe) |
| <b>Painting</b>           | Powder coating  |
| <b>Colour</b>             | optional RAL 7035, light grey or natural anodized<br>special colour on request      |
| <b>Ingress protection</b> | IP65 to EN 60529  |
| <b>Temperature range</b>  | -30 °C to +80 °C  |

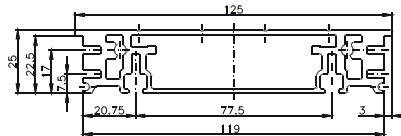
Product range

I. Profile for installation with front plate

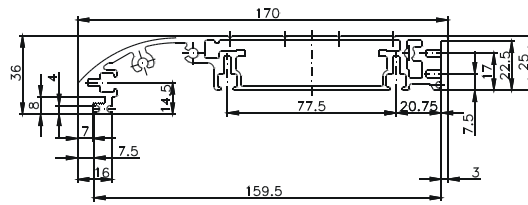
Profile 1 Hinged frame profile



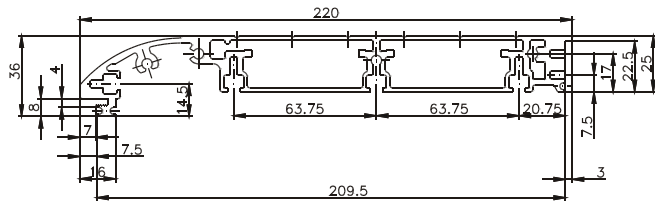
Profile 2 Intermediate frans



Profile 3 Body profile 170

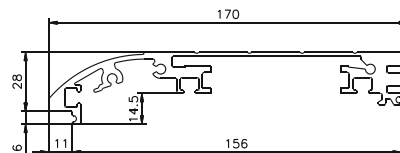


Profile 4 Body profile 220

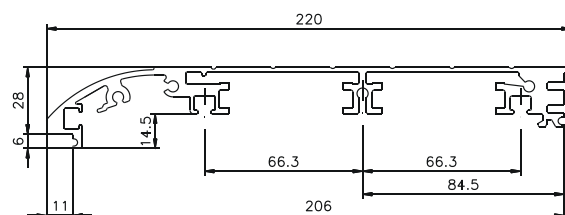


II. Profile for direct mounting of installation

Profile 3 Direct mounting

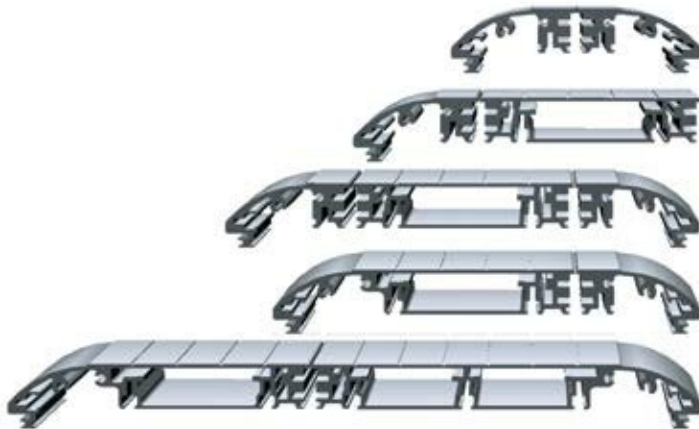


Profile 4 Direct mounting



# SL 3000

## Example of profile combination options



Mounting depth 125 mm

Mounting depth 184 mm

Mounting depth 250 mm

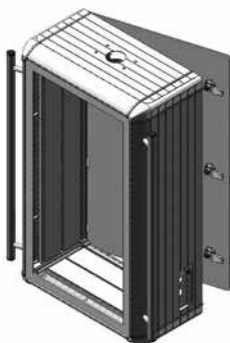
Mounting depth 225 mm

Mounting depth 375 mm

Other profile combinations on request

## Profile connection options

### Fixed



### Hinged



### Profile info:

- All profiles can be combined with one another
- Profiles can be attached with fixed or hinged connections.
- If straight profile side (see example 2) the rear panel can also be designed as a door.
- The max. mounting depth in the case of operational enclosures is 675 mm (Profile 4 + 2 + 2 + 4)
- The max. mounting depth with console attached is 425 mm (Profile 4 + 4)
- The max. enclosure size is limited by the front plate to 1000 x 1000 mm

## Connection to suspension system

| Profile                     | GTK electronic | GTS | GT 48/2 | GTN II | GT 50/2 | GT 60/2 | GT 80/2 | GTK 80 | GTL |
|-----------------------------|----------------|-----|---------|--------|---------|---------|---------|--------|-----|
| 1                           | •              | •   | •       | •      | •       | •       |         |        |     |
| 1 + 1 (fixed or hinged)     | •              | •   | •       | •      | •       | •       |         |        |     |
| 1 + 2 (hinged)              | •              | •   | •       | •      | •       | •       |         |        |     |
| 1 + 2 (fixed)               | •              | •   | •       | •      | •       | •       | •       | •*     |     |
| 1 + 2 (hinged) + 1 (hinged) | •              | •   | •       | •      | •       | •       | •       |        |     |
| 1 + 2 (hinged + 1 (fixed))  | •              | •   | •       | •      | •       | •       | •       | •*     |     |
| 1 + 2 (fixed) + 1 (fixed)   | •              | •   | •       | •      | •       | •       | •       | •      |     |
| 2                           | •              | •   | •       | •      | •       | •       | •       |        |     |
| 3                           | •              | •   | •       | •      | •       | •       | •       |        | •   |
| 3 + 1 (hinged)              |                |     |         | •      | •       | •       | •       |        | •   |
| 3 + 1 (fixed)               |                |     |         | •      | •       | •       | •       | •**    | •   |
| 3 + 2 (hinged) + 1 (hinged) |                |     |         | •      | •       | •       | •       |        | •   |
| 3 + 2 (fixed) + 1 (hinged)  |                |     |         | •      | •       | •       | •       | •      | •   |
| 4                           |                |     |         | •      | •       | •       | •       | •      | •   |

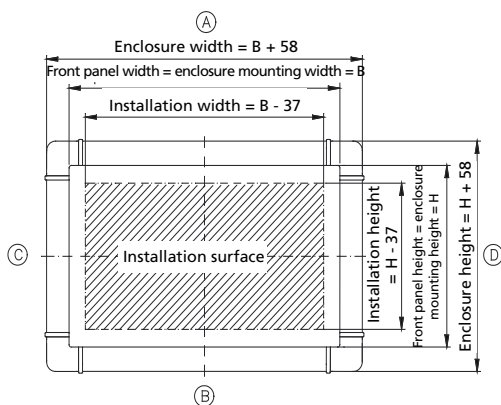
\* 10 mm projection downstream of at rear

\*\* every 5 mm projection to front and at rear

## Front plate fitting

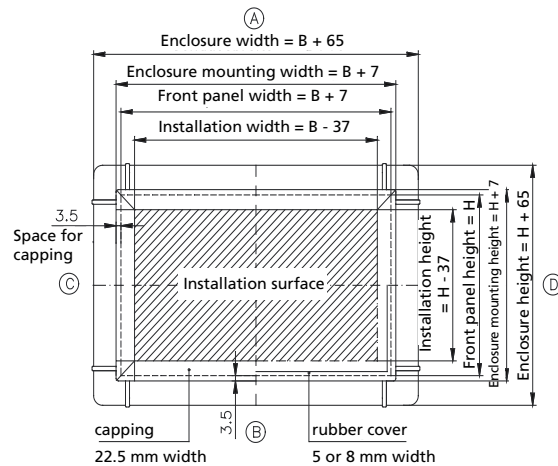
### Execution I

Front plate without cover profile or rubber cover



### Execution II

Front plate with cover profile or rubber cover surrounding



## Front plate fastening

- Zinc diecast latch with slot for insertion of M4 or M5 rack connecting nuts screwed Execution
- Turn the catch round to enable the front plate to be screwed in directly from the back



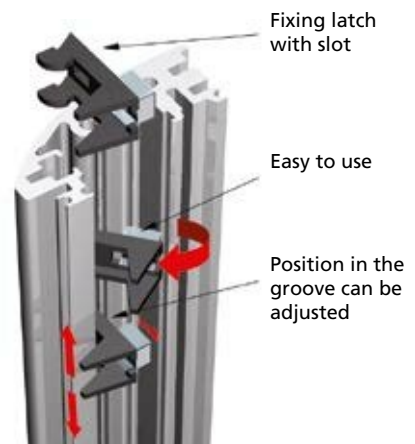
- Flush closure with profile



- With M4 or M5 rack connecting nut
- Concealed capping screw heads



- Latch reversed screwed into profile



# SL 3000

## Accessories

### Fastening set



| Order No.   | Execution            |
|-------------|----------------------|
| 20.60 10 01 | M4                   |
| 20.60 10 02 | M5                   |
| 20.60 10 03 | Set for front plates |

### FCP - Foil Control Panel



| Order No.   | Execution |
|-------------|-----------|
| 20.60 10 50 | FCP 240/3 |
| 20.60 10 51 | FCP 335/6 |
| 20.60 10 52 | FCP 483/8 |

### Handle



set = 2 pcs

| Order No.   | Handle length (mm) | Front plate width/height (mm) |
|-------------|--------------------|-------------------------------|
| 20.60 40 02 | 250                | 265-314                       |
| 20.60 40 03 | 300                | 315-364                       |
| 20.60 40 04 | 350                | 365-414                       |
| 20.60 40 05 | 400                | 415-464                       |
| 20.60 40 06 | 450                | 465-514                       |
| 20.60 40 07 | 500                | 515-614                       |
| 20.60 40 09 | 600                | 615-664                       |
| 20.60 40 10 | 650                | 665-714                       |
| 20.60 40 11 | 700                | 715-764                       |
| 20.60 40 12 | 750                | 765-814                       |
| 20.60 40 13 | 800                | 815                           |

### Coupling flange



| Order No.   | Execution                  |
|-------------|----------------------------|
| 20.60 10 07 | GT 48/2 and GTK electronic |

### Mounting bracket set

| Order No.   |
|-------------|
| 10.03 31 01 |

### Installation rail set



| Order No.   | Execution          |
|-------------|--------------------|
| 54.00 00 16 | Rail length 80 mm  |
| 54.00 00 24 | Rail length 160 mm |
| 54.00 00 32 | Rail length 240 mm |

## Accessories

### Adapter plate P1/P2 onto GT 80/2

|                    |
|--------------------|
| Order No.          |
| <b>20.60 10 08</b> |

### Locking plate

For closing of unneeded coupling holes

| Order No.          | Execution                           |
|--------------------|-------------------------------------|
| <b>20.60 30 01</b> | powdered GT 48/2 and GTK electronic |
| <b>20.60 30 02</b> | powdered GT 50/2 and GT 60/2        |
| <b>20.60 30 03</b> | powdered GT 80/2                    |
| <b>20.60 30 04</b> | powdered GTK 80                     |
| <b>20.60 30 05</b> | powdered GTN II                     |
| <b>20.60 30 11</b> | anodized GT 48/2 and GTK electronic |
| <b>20.60 30 12</b> | anodized GT 50/2 and GT 60/2        |
| <b>20.60 30 13</b> | anodized GT 80/2                    |
| <b>20.60 30 14</b> | anodized GTK 80                     |
| <b>20.60 30 15</b> | anodized GTN II                     |

### Controle attachment set



30° or 50° inclination possible depending on assembly. Standard length 300 mm, larger or smaller lengths on request.

### Insert bay



Available for Profiles 2, 3 and 4 . The ingress protection is determined by the fitted equipment. It is possible to modify the interior enclosure panel walls individually. The size of the enclosure gives the maximum connector area. In the case of profile combinations it is provided on the hinge side!

### Linking bar



For installation of two or more front plates within one enclosure

Further accessories see Commander system accessories





Accessories SL 3000 for enquiry / order

Company \_\_\_\_\_

**Rear wall** with straight closure  screwed  hinged, hinges side \_\_\_\_\_  
 with rounded closure  screwed, flush  with stud bolts, flush  
 Modified according to drawing-no. \_\_\_\_\_ (please enclose if available)

**Lock types**  Square 8 mm (Standard)  
 Square 7 mm  Triangular 7 mm  Triangular 8 mm  
 Double ward 3 mm  Other \_\_\_\_\_

**Colour** Standard:  Profile RAL 7035, corner pieces RAL 9006, corner caps RAL 7035 powdered or  
 Natural anodized profile, corner pieces RAL 9006, corner caps RAL 9007 powdered  
 Special colours (please specify RAL colour for each):  
 Profile RAL \_\_\_\_\_ Corner pieces RAL \_\_\_\_\_ Corner caps RAL \_\_\_\_\_

**Suspension system**  GTK electronic, side \_\_\_\_\_  GT 48/2, side \_\_\_\_\_  GTS, side \_\_\_\_\_  
 GT 50/2, side \_\_\_\_\_  GT 60/2, side \_\_\_\_\_  GT 80/2, side \_\_\_\_\_  
 GTN II, side \_\_\_\_\_  GTK 80, side \_\_\_\_\_  GTL, side \_\_\_\_\_  
 Moterm  Moterm with console  
 Connection to console connector  
 Connection to profile  
 Other \_\_\_\_\_ Drawing-no.: \_\_\_\_\_ side \_\_\_\_\_  
 Total weight of fittings approx. \_\_\_\_\_ kg  
 for profile combination: Coupling hole on profile no. \_\_\_\_\_ or optional  
 specify weight distribution \_\_\_\_\_

**Handle set**  Quantity \_\_\_\_\_ side \_\_\_\_\_  Special colour RAL \_\_\_\_\_

**Other accessories**  Disc drive-/interface bay with flap (as for SL 2000), side \_\_\_\_\_  
 Insert slot for: \_\_\_\_\_ side \_\_\_\_\_  
 Finish in accordance with drawing-no.: \_\_\_\_\_

**Other modifications/ special versions**  
 Further modifications \_\_\_\_\_  
 \_\_\_\_\_  
 \_\_\_\_\_  
 in accordance with drawing-no.: \_\_\_\_\_

Drawing no.: D-SL 3000 - \_\_\_\_\_ Bl. 2

stated by Rose profile length: width \_\_\_\_\_ mm height \_\_\_\_\_ mm





**Dimensions**

**Console attachment enclosures**

**Company** \_\_\_\_\_

**Mounting depth**

T (mm) \_\_\_\_\_ of combination of profiles (please always specify from front to rear):

Profile no. \_\_\_\_\_ + Profile no. \_\_\_\_\_

Connection:  fixed  hinged, page \_\_\_\_\_

**Dimensions**

Front panel total dimensions (dimension sheet s. operational enclosure)

W x H (mm) \_\_\_\_\_ x \_\_\_\_\_  Version I  Version II

and/or manufacturer/type of controller \_\_\_\_\_

**Front panel**

without front panel (direct mounting)  with M4 fixing set or  mwith M5 fixing set

Front panel with stud bolts (flush without cover profile, dimensions, see drawing version I)

Front panel with stud bolts (with cover profile, dimensions, see drawing version II)

Front panel with drill holes

Cover profile 22.5 mm (plastic black, dimensions s. version II)

Cover profile for front panel, 5 mm rubber (Version II)

Cover profile for front panel, 8 mm rubber (VersionII)

other front panel \_\_\_\_\_

Finish in accordance with drawing no.: \_\_\_\_\_ (please attach)

and/or specify manufacturer/controller type: \_\_\_\_\_

Separation fin quantity \_\_\_\_\_ Position in accordance with drawing-no.: \_\_\_\_\_

**Rear wall**

with straight closure  screwed  hinged, hinges side \_\_\_\_\_

with rounded closure  screwed, flush  with stud bolts, flush

Modified according to drawing-no. \_\_\_\_\_ (please enclose if available)

**Lock types**

square 8 mm (standard)  square 7 mm  double ward 3 mm

triangular 7 mm  triangular 8 mm  Other \_\_\_\_\_

**Colour**

Standard:  Profile RAL 7035, corner pieces RAL 9006, corner caps RAL 7035 powdered or

Natural anodized profile, corner pieces RAL 9006, corner caps RAL 9007 powdered

Special colours (please specify RAL colour for each):

Profile RAL \_\_\_\_\_ Corner pieces RAL \_\_\_\_\_ Corner caps RAL \_\_\_\_\_

**Console attachment set**

Standard 30°  Standard 50°

**Handle set**

Quantity \_\_\_\_\_ side \_\_\_\_\_  Special colour RAL \_\_\_\_\_

**Other accessories**

Disc drive-/interface bay with flap (as for SL 2000), page \_\_\_\_\_

Insert slot for: \_\_\_\_\_ side \_\_\_\_\_

Finish in accordance with drawing-no.: \_\_\_\_\_

**Other modifications/ special versions**

Further modifications \_\_\_\_\_

in accordance with drawing-no.: \_\_\_\_\_

Drawing no.:

D-SL 3000 - \_\_\_\_\_ Bl. 3

stated by Rose

profile length: width \_\_\_\_\_ mm height \_\_\_\_\_ mm



- + Enclosure system for control and display fittings
- + Variable size available in width and depth
- + All-round adaptation capabilities for accessories
- + Front panel insertion from front and rear

### Included in delivery

Enclosure body with rear panel or door, front panel fixing set, cover profile and T-groove cover.

## Technical data

|                           |   |
|---------------------------|---|
| <b>Material</b>           | Profile: DIN EN 573 EN AW-AMgSi<br>Front plate, rear wall: DIN EN 573 EN AW-AMg3<br>Corner pieces: DIN EN 1706 EN AC-ALSi 12 (Fe) |
| <b>Painting</b>           | Powder coating  |
| <b>Colour</b>             | RAL 7035, light grey<br>Handle tube: powdered RAL 3003, ruby red  |
| <b>Ingress protection</b> | IP65 to EN 60529  |
| <b>Temperature range</b>  | -30 °C to +80 °C  |



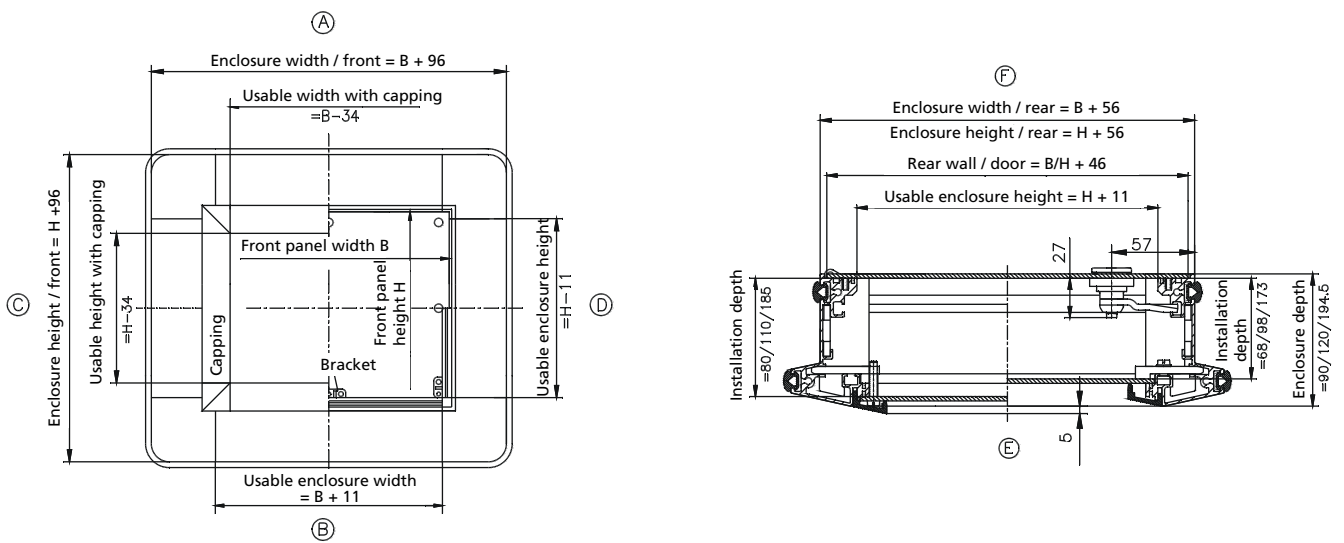
# SL 2000

## Product range

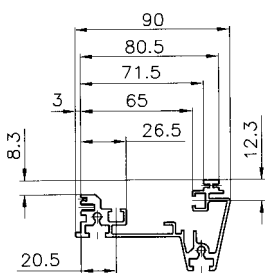
| Front plate dimensions<br>H x W (mm) | Profile 1<br>Mounting depth<br>80,5 mm | Weight<br>(g) | Profile 2<br>Mounting depth<br>110 mm | Weight<br>(g) | Profile 3<br>Mounting depth<br>185 mm | Weight<br>(g) | Front plate with drill hole (insert from front) | Weight<br>(g) | Front plate without drill hole (insert from rear) | Weight<br>(g) |
|--------------------------------------|--|---------------|---------------------------------------|---------------|---------------------------------------|---------------|---|---------------|---|---------------|
| Rear wall screwed                    |  |               |                                       |               |                                       |               |   |               |   |               |
| 267 x 483                            | <b>19.50 65 01</b>                     | 4700          | <b>19.50 95 01</b>                    | 5500          | <b>19.50 19 01</b>                    | 6700          | <b>19.60 00 01</b>                              | 1050          | <b>19.60 00 11</b>                                | 1030          |
| 312 x 483                            | <b>19.51 65 01</b>                     | 5100          | <b>19.51 95 01</b>                    | 5900          | <b>19.51 19 01</b>                    | 7100          | <b>19.60 01 01</b>                              | 1200          | <b>19.60 01 11</b>                                | 1220          |
| 356 x 483                            | <b>19.52 65 01</b>                     | 5400          | <b>19.52 95 01</b>                    | 6300          | <b>19.52 19 01</b>                    | 7500          | <b>19.60 02 01</b>                              | 1400          | <b>19.60 02 11</b>                                | 1400          |
| 155 x 483                            | <b>19.53 65 01</b>                     | 4100          | <b>19.53 95 01</b>                    | 4600          | -                                     | -             | <b>19.60 04 01</b>                              | 600           | <b>19.60 04 11</b>                                | 600           |
| Special sizes*                       | <b>19.59 65 01</b>                     |               | <b>19.59 95 01</b>                    |               | <b>19.59 19 01</b>                    |               | <b>19.60 03 01</b>                              |               | <b>19.60 03 11</b>                                |               |
| Door at rear                         |  |               |                                       |               |                                       |               |   |               |   |               |
| 267 x 483                            | <b>19.50 65 00</b>                     | 4900          | <b>19.50 95 00</b>                    | 5600          | <b>19.50 19 00</b>                    | 6600          | <b>19.60 00 01</b>                              | 1050          | <b>19.60 00 11</b>                                | 1030          |
| 312 x 483                            | <b>19.51 65 00</b>                     | 5200          | <b>19.51 95 00</b>                    | 6000          | <b>19.51 19 00</b>                    | 7200          | <b>19.60 01 01</b>                              | 1200          | <b>19.60 01 11</b>                                | 1220          |
| 356 x 483                            | <b>19.52 65 00</b>                     | 5500          | <b>19.52 95 00</b>                    | 6400          | <b>19.52 19 00</b>                    | 7600          | <b>19.60 02 01</b>                              | 1400          | <b>19.60 02 11</b>                                | 1400          |
| 155 x 483                            | <b>19.53 65 00</b>                     | 4200          | <b>19.53 95 00</b>                    | 4700          | -                                     | -             | <b>19.60 04 01</b>                              | 600           | <b>19.60 04 11</b>                                | 600           |
| Special sizes*                       | <b>19.59 65 00</b>                     |               | <b>19.59 95 00</b>                    |               | <b>19.59 19 00</b>                    |               | <b>19.60 03 01</b>                              |               | <b>19.60 03 11</b>                                |               |

\* Please specify front panel dimensions

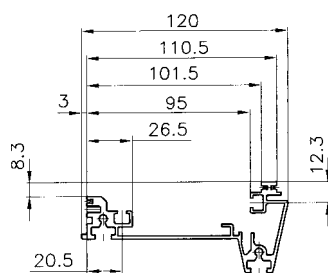
## Technical details



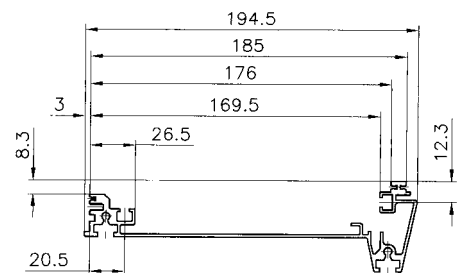
## Profile



Profile 1



Profile 2



Profile 3

# SL 2000

## Front plate fastening



Front panel installation screwed from front



Front panel installation from rear



Front panel installation with stud bolts

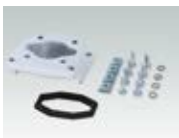
## Accessories

### Handle set



| Order No.   | Execution  |
|-------------|--|
| 19.60 20 01 | Set = 2 brackets, 1 tube, L = 256 mm                   |
| 19.60 20 02 | Handle corner set = 3 brackets, 1 tube, L = 556/395 mm |
| 19.60 20 06 | Set = 2 brackets, 1 tube, L = 472 mm                   |
| 19.60 20 04 | Set = 2 brackets, 1 tube, L = 301 mm                   |
| 19.60 20 05 | Set = 2 brackets, 1 tube, L = 345 mm                   |
| 19.60 20 99 | Set = 2 brackets, 1 tube, special length               |

### Coupling flange



| Order No.   | Execution  |
|-------------|--|
| 19.60 20 03 | Profile 1 for GT 48/2 and GTK electronic (GTK electronic only 49.45 73 00 and 49.45 75 00) |
| 19.60 20 11 | Profile 2 for GT 48/2 and GTK electronic   |
| 19.60 20 12 | Profile 3 for GT 48/2 and GTK electronic   |
| 19.60 20 07 | Profile 2 for GT 50/2, GT 60/2 and GTN II  |
| 19.60 20 08 | Profile 3 for GT 50/2, GT 60/2 and GTN II  |
| 19.60 20 13 | Profile 3 for GT 80/2 and GTK 80   |
| 19.60 20 14 | Profile 2 for GT 80/2  |
| 19.60 20 15 | Profile 1 for GTS  |
| 19.60 20 16 | Profile 2 for GTS  |

### Control attachment set

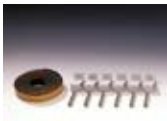


| Order No.   | Execution  |
|-------------|--|
| 19.59 00 11 | 15° inclination fixed  |
| 19.59 00 12 | 30° inclination fixed  |
| 19.59 00 13 | adjustable   |
| 19.59 00 98 | Control attachment set, 15° inclination fixed, special length* |
| 19.59 00 99 | Control attachment set, 30° inclination fixed, special length* |



## Accessories

### Control panel installation set



| Order No.   | Execution                   |
|-------------|-----------------------------|
| 19.60 10 03 | for profile 3, (6 pcs)      |
| 19.60 10 00 | for profile 1 and 2 (6 pcs) |

### Hinge set



| Order No.   |
|-------------|
| 19.60 10 08 |

### Quick fastener set



| Order No.   | Execution                      |
|-------------|--------------------------------|
| 19.60 10 07 | für Frontplatte (Set = 12 Stk) |

### Linking bar



| Order No.   | Execution      |
|-------------|----------------|
| 19.59 00 20 | 483 mm         |
| 19.59 00 21 | Special length |

### Spring nut set

| Order No.   | Execution  |
|-------------|------------|
| 10.03 60 01 | M5 (8 pcs) |

### Fixing set



| Order No.   | Execution                                       |
|-------------|---|
| 19.60 10 01 | Fixing set 1 (12 spring nuts, brackets, screws) |
| 19.60 10 02 | Fixing set 2 (30 spring nuts, brackets, screws) |

Further accessories see Commander system accessories

Company \_\_\_\_\_ Telephone \_\_\_\_\_

Contact \_\_\_\_\_ Telefax \_\_\_\_\_

Address \_\_\_\_\_ E-Mail \_\_\_\_\_

Project \_\_\_\_\_ Quantity \_\_\_\_\_ Lot size \_\_\_\_\_

**Operation enclosures**

- Execution**  Door  rear wall screwed
- Dimensions**  Profile 1  Profile 2  Profile 3
- Recessed rear panel for \_\_\_\_\_ mm mounting depth
- Please specify front panel dimensions or manufacturer/controller type:



W x H (mm) \_\_\_\_\_ x \_\_\_\_\_

or manufacturer/type \_\_\_\_\_



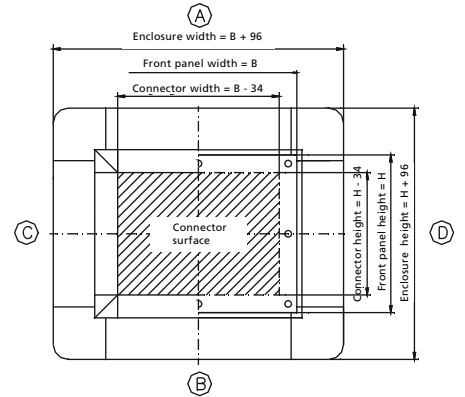
W x H (mm) \_\_\_\_\_ x \_\_\_\_\_

or manufacturer/type \_\_\_\_\_



W x H (mm) \_\_\_\_\_ x \_\_\_\_\_

or manufacturer/type \_\_\_\_\_



- Front panel**  3 mm, with drill holes  3 mm, without drill holes  other \_\_\_\_\_ mm
- Finish in accordance with drawing (please attach)  
or state manufacturer/controller type: \_\_\_\_\_

**Keyboard enclosures**

- Execution**  Door  rear wall screwed
- Dimensions**  Profile 1  Profile 2
- Please specify the number and dimensions of the front panel or the manufacturer and controller type.



W x H (mm) \_\_\_\_\_ x \_\_\_\_\_ or manufacturer/type \_\_\_\_\_



W x H (mm) \_\_\_\_\_ x \_\_\_\_\_ or manufacturer/type \_\_\_\_\_

- Front panel**  3 mm, with drill holes  3 mm, without drill holes  other \_\_\_\_\_ mm
- Finish in accordance with drawing (please attach)  
or state manufacturer/controller type: \_\_\_\_\_

**Console attachment set**  standard \_\_\_\_\_ (Order No.)  Custom length \_\_\_\_\_ mm

- Suspension system**  GTK electronic / GT 48/2, on side \_\_\_\_\_  GT 50/2 / GT 60/2, on side \_\_\_\_\_
- GT 80/2 / GTK 80, on side \_\_\_\_\_  GTN II, on side \_\_\_\_\_
- GTS, on side \_\_\_\_\_  other \_\_\_\_\_ on side \_\_\_\_\_
- Moterm Operational enclosure from 236 mm front panel width  
Console enclosure (fixed inclination) from 440 mm front panel width  
Console enclosure (fixed inclination) from 580 mm front panel width

**Handle set**  Standard \_\_\_\_\_ (Order No.) Mounting side \_\_\_\_\_

Special length \_\_\_\_\_ mm Mounting side \_\_\_\_\_

**Colour**  Standard (RAL 7035, handle red RAL 3003)  Special colour (RAL) \_\_\_\_\_

- Other accessories**  Disk mounting bay, mounting side \_\_\_\_\_  Hinge set, mounting side \_\_\_\_\_
- Keyboard holder  Document holder  Separating strip, number \_\_\_\_\_
- Panel mounting for profile 1  Panel mounting for profile 2  Panel mounting for profile 3
- Fixing set 12-piece  Fixing set 30-piece  Quick fixing set
- Spring nut set  Rubber cover narrow 7 mm  Rubber cover narrow 5 mm

