



- Aluminium desktop enclosure for MCR technology
- Individual height versions by profile technology
- Stacking capability using special foot shape
- Contact-uninsulated internal enclosure walls
- Internal groove for spring nuts M4 and M5

### Technical data

**Material:**

Half shell: DIN EN 1706 EN AC-AISI 12 (Fe)

Profile: DIN EN 573 EN AW-ALMgSi

**Ingress protection:**

IP 40 to EN 60529

**Colour combination:**

Enclosure: RAL 7035, light grey  
Foot elements: RAL 7024, graphite grey

or enclosure: RAL 9005, jet black  
Foot elements: RAL 3003, ruby red

**Painting:**

Powder coating

**Temperature range:**

-40°C to +80°C

**Included in delivery**

Enclosure system with foot/head elements, front plate/rear wall please order separately

# Wavetronic

## Product range

Type	Order No.	External enclosure dimension* W x L x H (mm)	Weight (g)	Colour combination	Front plate/rear wall (set, 2 pcs.)	max. front plate connector area
Wavetronic 1	<b>07.70 01 01</b>	324 x 268 x 55	2300	grey/anthracite	<b>07.70 00 91</b>	287 x 37
Wavetronic 1	<b>07.70 02 01</b>	324 x 268 x 55	2300	black/red	<b>07.70 00 91</b>	287 x 37
Wavetronic 2	<b>07.70 01 02</b>	324 x 268 x 101	2700	grey/anthracite	<b>07.70 00 92</b>	287 x 83
Wavetronic 2	<b>07.70 02 02</b>	324 x 268 x 101	2700	black/red	<b>07.70 00 92</b>	287 x 83
Wavetronic 3	<b>07.70 01 03</b>	324 x 268 x 147	3100	grey/anthracite	<b>07.70 00 93</b>	287 x 129
Wavetronic 3	<b>07.70 02 03</b>	324 x 268 x 147	3100	black/red	<b>07.70 00 93</b>	287 x 129
Wavetronic 4	<b>07.70 01 04</b>	324 x 268 x 194	3500	grey/anthracite	<b>07.70 00 94</b>	287 x 176
Wavetronic 4	<b>07.70 02 04</b>	324 x 268 x 194	3500	black/red	<b>07.70 00 94</b>	287 x 176
Wavetronic special height	<b>07.70 01 99</b>	324 x 268 x SH**		grey/anthracite	<b>07.70 00 99</b>	287 x SH***
Wavetronic special height	<b>07.70 02 99</b>	324 x 268 x SH**		black/red	<b>07.70 00 99</b>	287 x SH***

\* dimensions without foot elements

\*\* front panel fitting area + 18

\*\*\* min. special height = 75 mm; max. special height = 300 mm

EMC version on request

## Accessories

Mounting feet (2 pcs.), grey	<b>07.70 00 81</b>
Carrying handle	<b>07.70 00 82</b>
19" insert set (53HP / 3HU)	<b>07.70 00 83</b>
Spring nuts M4 (4 pcs.)	<b>29.00 00 50</b>
Spring nuts M5 (8 pcs.)	<b>10.03 60 01</b>



Wavetronic 1



Wavetronic 2

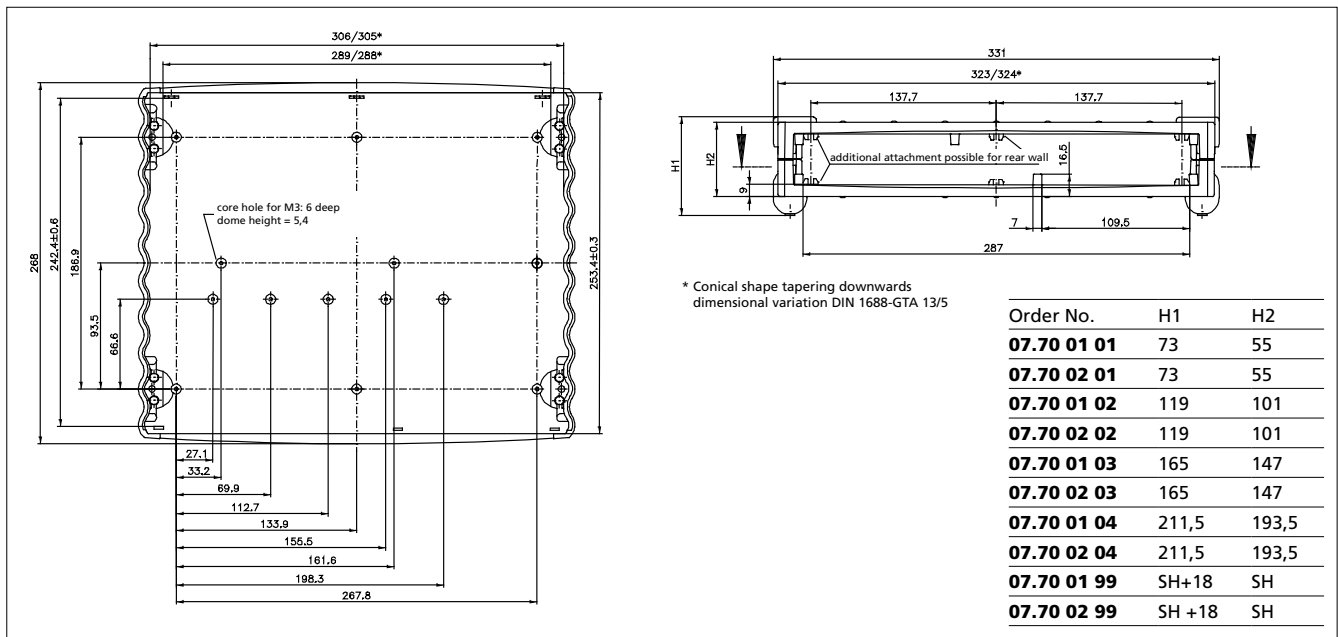


Wavetronic 3



Wavetronic 4

Dimensions

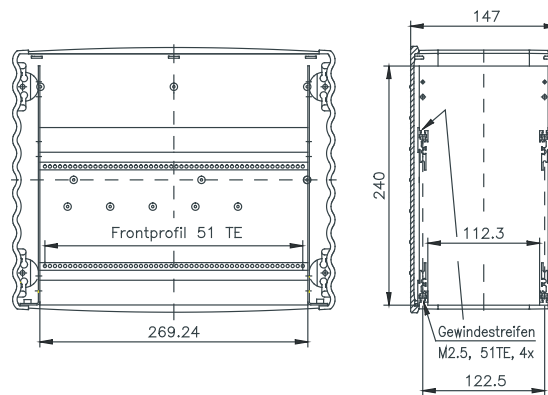


Accessories



19" insert set (for Wavetronic 3)

Order No. **07.70 00 83**

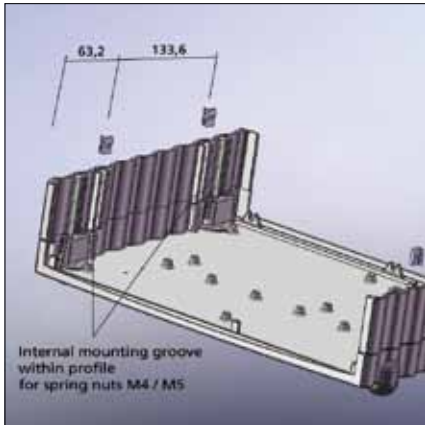


Front plate/rear wall

Wavetronic 1	<b>07.70 00 91</b>
Wavetronic 2	<b>07.70 00 92</b>
Wavetronic 3	<b>07.70 00 93</b>
Wavetronic 4	<b>07.70 00 94</b>
Wavetronic special height	<b>07.70 00 99</b>

# Wavetronic

## Accessories



Mounting feet

Order No. **07.70 00 81**



Handle

Order No. **07.70 00 82**



Spring nuts for mounting groove

M4 (4 pcs.)	<b>29.00 00 50</b>
M5 (8 pcs.)	<b>10.03 60 01</b>

## Applications

