

Ex stainless steel flange ProtEx



- + High-quality stainless steel flange enclosures for use in hazardous areas
- + Available as a component (U approval) or as a fully certified device including the installation of terminals or electronic equipment
- + Standard with 1 flange, optional up to 4 flanges
- + With window optional

Included in delivery

Empty enclosure: Enclosure with hinged lid, doubleward lock, flange plates (3 mm) silicone lid seal, silicone flange seal, welded external brackets, external earth bolt M10, internal fixing bolts, from enclosure type 9 with lid lifting device.

Junction box: Enclosure system - as before with individual fitting, DIN rail, terminals, cable glands

Technical datas

Explosion protection	II 2 G Ex eb IIC T6/T5/T4 Gb II 2 G Ex ia IIC T6/T5/T4 Gb II 2 G Ex db eb ia [ia] mb IIC T6/T5/T4 Gb II 3 G Ex eb db mb ia [ia Ga] nA nC [op is] IIC T6, T5, T4 Gc II 2 D Ex tb IIIC T85 °C/T100 °C/T135 °C Db IP66
Certificates	PTB 00 ATEX 1101U IECEX PTB 07.0059U EAC RU C-DE.AA87.B.00637
Material	Stainless Steel 1.5 mm, 1.4404/316L
Ingress protection	IP66 to EN 60529
Surface	grinded, grain 240
Impact resistance	7 Joule to EN 60079-0
Ambient temperature range	-55 °C to +135 °C
Other execution on request	EMC, electropolished



Ex stainless steel flange ProtEx

Product overview

Ex e		Ex Empty		Ex i		Dimensions H x W x D (mm)	Weight (g)
Order no.	Product type	Order no.	Product type	Order no.	Product type		
35.06 02 00	ProtExe 02	34.06 02 00	ProtExB 02	36.06 02 00	ProtExi 02	260 x 260 x 205	4870
35.06 03 00	ProtExe 03	34.06 03 00	ProtExB 03	36.06 03 00	ProtExi 03	306 x 306 x 205	6010
35.06 04 00	ProtExe 04	34.06 04 00	ProtExB 04	36.06 04 00	ProtExi 04	380 x 260 x 205	6360
35.06 05 00	ProtExe 05	34.06 05 00	ProtExB 05	36.06 05 00	ProtExi 05	458 x 382 x 205	9120
35.06 06 00	ProtExe 06	34.06 06 00	ProtExB 06	36.06 06 00	ProtExi 06	480 x 480 x 205	11010
35.06 07 00	ProtExe 07	34.06 07 00	ProtExB 07	36.06 07 00	ProtExi 07	500 x 350 x 205	9190
35.06 08 00	ProtExe 08	34.06 08 00	ProtExB 08	36.06 08 00	ProtExi 08	620 x 450 x 205	12790
35.06 09 00	ProtExe 09	34.06 09 00	ProtExB 09	36.06 09 00	ProtExi 09	740 x 550 x 205	18200
35.06 10 00	ProtExe 10	34.06 10 00	ProtExB 10	36.06 10 00	ProtExi 10	762 x 508 x 205	13930
35.06 11 00	ProtExe 11	34.06 11 00	ProtExB 11	36.06 11 00	ProtExi 11	860 x 640 x 205	18540
35.06 12 00	ProtExe 12	34.06 12 00	ProtExB 12	36.06 12 00	ProtExi 12	914 x 610 x 205	23460
35.06 13 00	ProtExe 13	34.06 13 00	ProtExB 13	36.06 13 00	ProtExi 13	980 x 740 x 205	28990

Terminal mounting

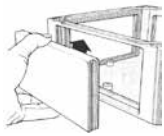
DIN rail	Phoenix Contact											
	TS 15	TS 15	TS 35	TS 35	TS 35	TS 35	TS 35	TS 35	TS 35	TS 35	TS 35	TS 35
Nominal cross section (mm ²)	2,5	4	2,5	4	6	10	16	35	50	95	150	240
Voltage (V)	352	352	690	690	690	690	690	690	690	880	1100	1100
Terminal width (mm)	5,2	6,2	5,2	6,2	8,2	10,2	12,2	16,2	20	25	31	36
Terminal type												
Enclosure type	MUT 2,5	MUT 4	UT 2,5	UT 4	UT 6	UT 10	UT 16	UT 35	UKH 50	UKH 95	UKH 150	UKH 240
XX.06 02 00	87	72	87	72	54	30	24	9	7			
XX.06 03 00	152	96	152	96	7	58	32	24	9	7		
XX.06 04 00	145	96	145	96	72	60	36	18	14	4		
XX.06 05 00	260	176	260	176	132	104	66	34	26	11	8	7
XX.06 06 00	355	300	355	300	180	146	120	69	36	28	12	10
XX.06 07 00	230	195	230	195	116	69	57	45	24	9	7	6
XX.06 08 00	600	504	600	504	376	228	160	96	57	30	12	10
XX.06 09 00	935	639	935	639	486	301	252	110	44	34	14	12
XX.06 10 00	847	640	847	640	480	312	229	125	60	32	12	11
XX.06 11 00	1326	935	1326	935	715	468	344	165	104	63	34	2
XX.06 12 00	1344	972	1344	972	732	441	328	186	100	60	32	26
XX.06 13 00	1815	1326	1815	1326	1001	620	459	234	155	75	40	34

Other suppliers on request

Ex stainless steel flange ProtEx

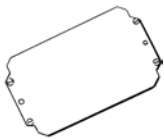
Accessories

Blind flange



Order no.	Version
34.06 50 03	F2, for XX.06 02 00, XX.06 04 00
34.06 50 04	F3, for XX.06 03 00, XX.06 11 00, XX.06 12 00,
34.06 50 05	F4, for XX.06 05 00, XX.06 07 00, XX.06 13 00,
34.06 50 07	F6, for XX.06 06 00, XX.06 08 00, XX.06 10 00
34.06 50 08	F7, for XX.06 09 00

Mounting plates



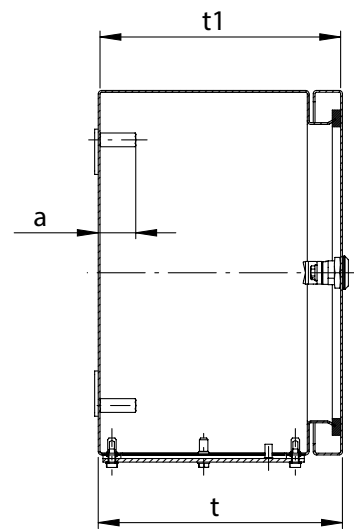
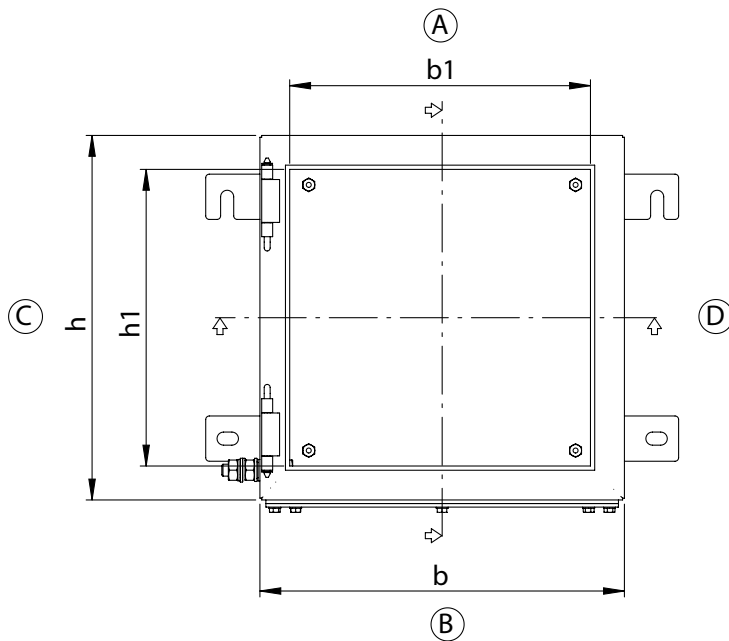
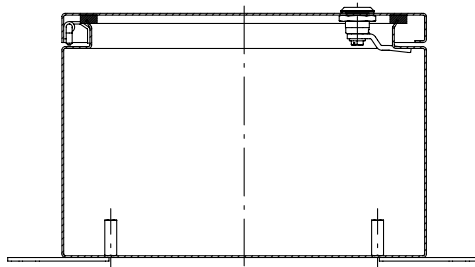
Order no.	Version
34.04 51 02	for XX.06 02 00
34.04 51 03	for XX.06 03 00
34.04 51 04	for XX.06 04 00
34.04 51 05	for XX.06 05 00
34.04 51 06	for XX.06 06 00
34.04 51 07	for XX.06 07 00
34.04 51 08	for XX.06 08 00
34.04 51 09	for XX.06 09 00
34.04 51 10	for XX.06 10 00
34.04 51 11	for XX.06 11 00
34.04 51 12	for XX.06 12 00
34.04 51 13	for XX.06 13 00



Ex stainless steel flange ProtEx

Technical details

Order no.	b	h	t	b1	h1	t1	a
XX.06 02 00	260	260	205	257	257	202	31,5
XX.06 03 00	306	306	205	303	303	202	31,5
XX.06 04 00	260	380	205	257	377	202	31,5
XX.06 05 00	382	458	205	379	455	202	31,5
XX.06 06 00	480	480	205	477	477	202	31,5
XX.06 07 00	350	500	205	347	497	202	31,5
XX.06 08 00	450	620	205	447	617	202	31,5
XX.06 09 00	550	740	205	547	737	202	31,5
XX.06 10 00	508	762	205	505	759	202	31,5
XX.06 11 00	640	860	205	637	857	202	31,5
XX.06 12 00	610	914	205	607	911	202	31,5
XX.06 13 00	740	980	205	737	977	202	31,5



For detailed drawings visit www.rose-systemtechnik.com