

„One profile - two worlds “

# SL5000/S-Line <sup>Gen.5</sup>

- ☑ Timeless design
- ☑ Greatest possible flexibility
- ☑ Modular device structure
- ☑ High degree of customization
- ☑ High degree of protection
- ☑ Integration into existing suspension systems



# SL5000

Due to its modern design, the SL5000 clearly stands out from previous control housings and is convincing nevertheless due to its high flexibility and modularity. Four different profiles in combination allow a wide variety of applications and profile depths - optionally as a front or rear door version.

The contour of the profiles offer a very high rigidity, whereby different dimensions in height and width can be realized, also in combination with an additional desk housing.

The front can be designed as a classic front panel as well as a full-surface glass front or as a combination with dividers. The high degree of protection, individual colouring and mechanical processing round off the SL5000.

## Advantages

- + 4 different profiles
- + Variable dimensions in height and width
- + High degree of protection
- + High flexibility
- + Long-term availability
- + Integration into existing suspension systems
- + Individual colouring possible
- + Individual processing of the sides / front and back wall
- + Integration of buttons

# S-Line <sup>Gen.5</sup>

The S-Line Gen.5 is the further development of our successful S-Line series. By using the new SL5000 modular profile system, we are able to respond to a wide range of requirements, such as the integration of command devices, RFID reading modules, WiFi-antennas and customer logos can also be included in the standard version.

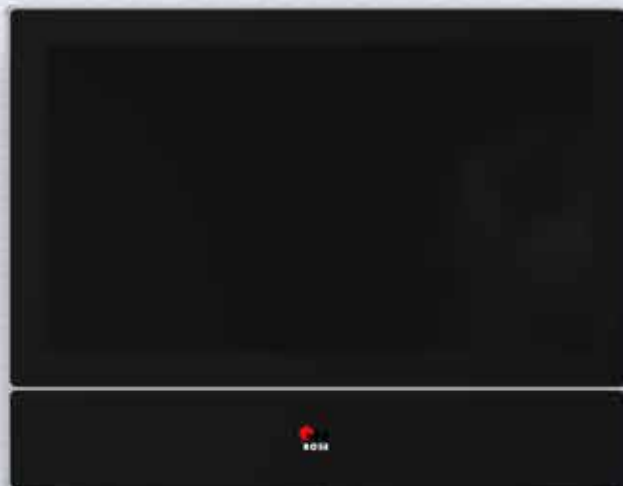
In addition, there is the possibility of realizing completely customer-specific HMI solutions in almost every diagonal and in various installation depths. This opens up a wide range of options with regard to the integration of further assemblies, such as PLC or bus coupler modules. In addition to these new possibilities, proven attributes such as PCAP multi-touch suitable for industrial use, components with long-term availability with a long MTBF time and high-performance, fanless IPC integrations will of course still be retained.

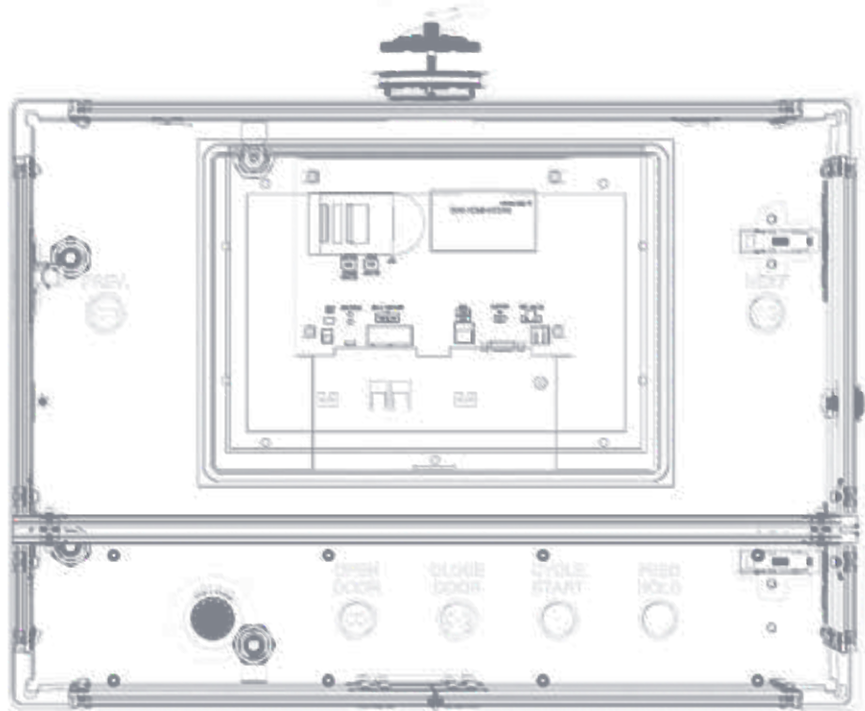
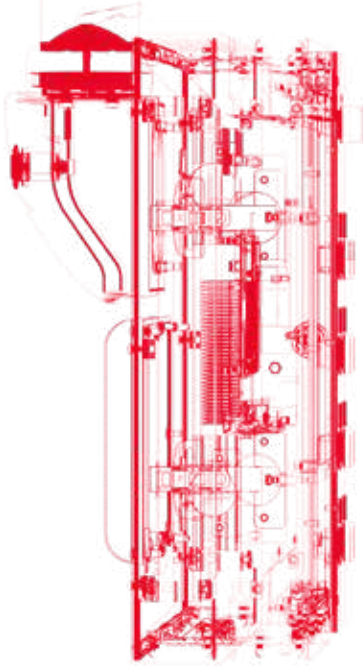
## Features

- ☑ 3 standard designs
- ☑ Robust design
- ☑ Powerful
- ☑ Full glass display
- ☑ 21,5" - 24" as standard
- ☑ Fanless / finned heat sink
- ☑ Suitable for industry
- ☑ Long-term availability
- ☑ High degree of protection IP54
- ☑ Optional accessories

## Advantages

- + Slim design
- + Different performance classes
- + Individual company logo possible on glass
- + Integration of buttons
- + Other sizes on request





# SL5000

## Specifications

<b>Material</b>	Aluminium
<b>Dimensions</b>	Variable in width and height
<b>Installation depths</b>	40 mm - 270 mm
<b>Colouring</b>	RAL7035 / Individual colouring
<b>Protection class</b>	IP 54 acc. to EN 60529
<b>Gasket</b>	CR-round cord
<b>Temp.-application area</b>	-30 °C to +80 °C
<b>Support arm connection</b>	Back wall / side A/B

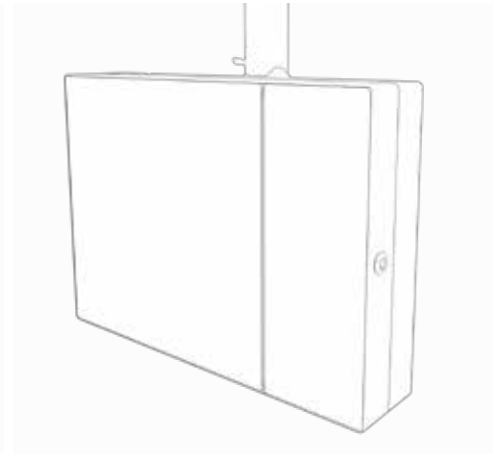
# Highlights



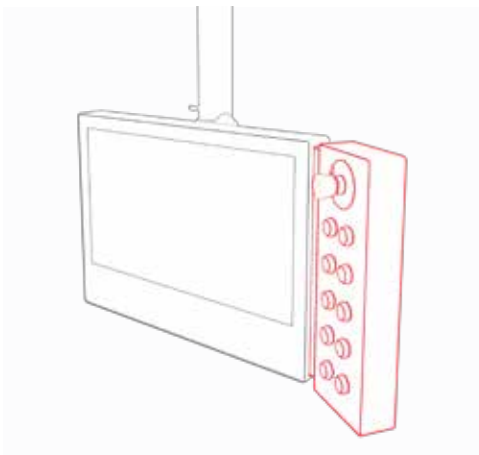
Optional accessories, i.e. external handles or indicator lights



Lateral integration of fixtures, i.e. EKS system



Individual dimensions and designs



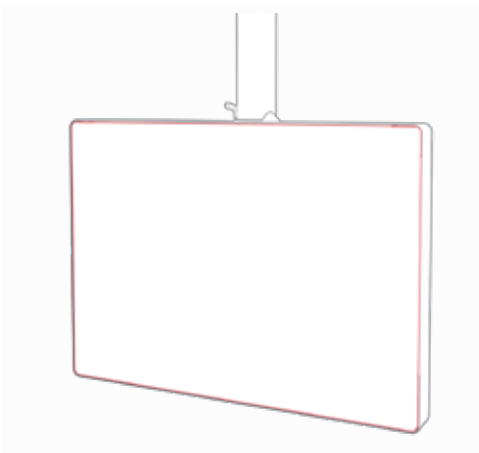
Desk connection



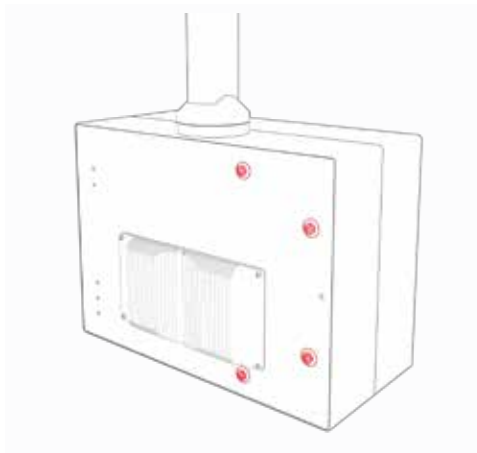
Horizontal divider



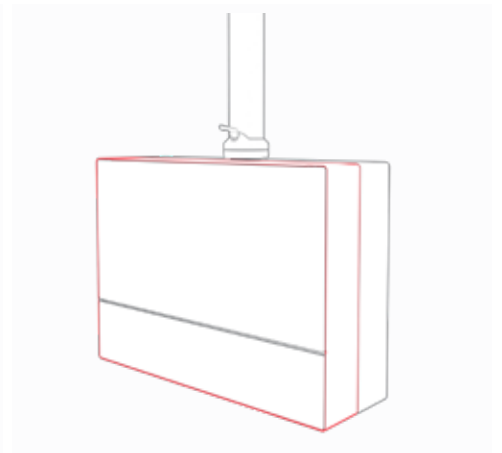
Vertical divider



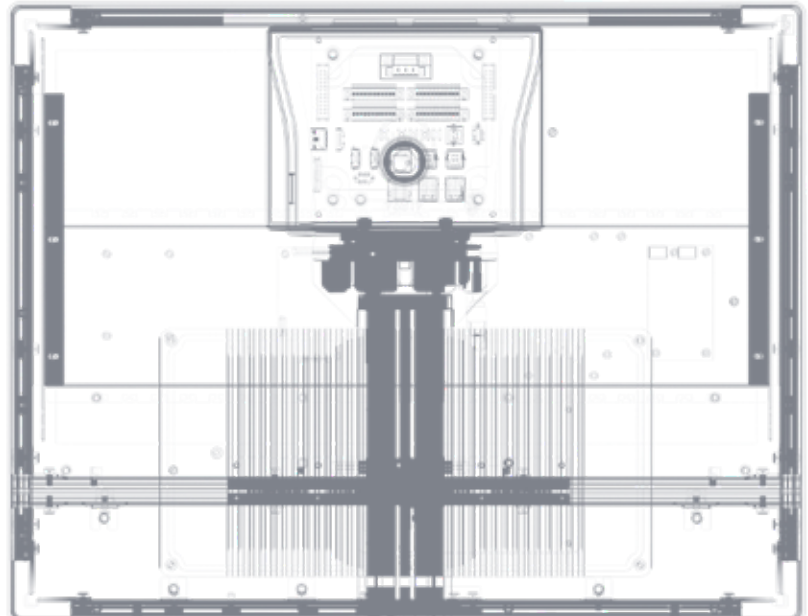
Glued front panel without visible fastening screws



Hinged back wall



Profile combinations to increase the installation depth or as a front door



# S-Line <sup>Gen.5</sup>

## Specifications

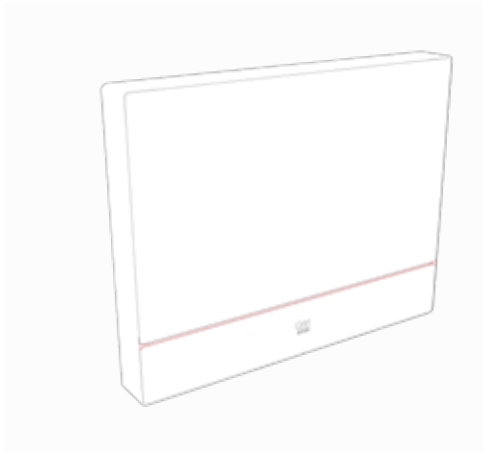
Display 21,5"	Resolution	Brightness	Contrast	Dim. in mm
	1920x1080 px	300cd/m <sup>2</sup>	1000 : 1	545 x 397
Display 24"	Resolution	Brightness	Contrast	Dim. in mm
	1920x1080 px	300cd/m <sup>2</sup>	5000 : 1	608 x 436

## Technical Data

<b>Display</b>	Industrial LED-Display, view angel 178° h/v, MTBF-time 50.000h
<b>Touch</b>	PCAP-Multitouch, interference suppression, multi-touch glass, chemically hardened and anti-reflective
<b>Processor</b>	CPU up to Intel Core i7 current generation
<b>Memory Size</b>	4 GB up to 32 GB RAM
<b>Connections/Extensions</b>	Interfaces led out on the back USB 3.0 Gbit LAN, R232, HDMI/DP, WiFi, 2D Scanner, RFID, Bluetooth (according to customer requirements)
<b>Operating voltage</b>	24VDC or 90-245VAC 50-60 Hz
<b>Environmental conditions</b>	operating temperature: 0 °C to ~45 °C* storage temperature : -20 °C to ~80 °C relative humidity : 10 bis ~90 % (not condensing)
<b>Operating system</b>	Windows 10, others on request
<b>Assembly</b>	Quick change coupling „QuickLock“, VESA100, flat panel adapter for connection to ø 48 mm systems and ROSE support arms

\* depending on the CPU performance class used

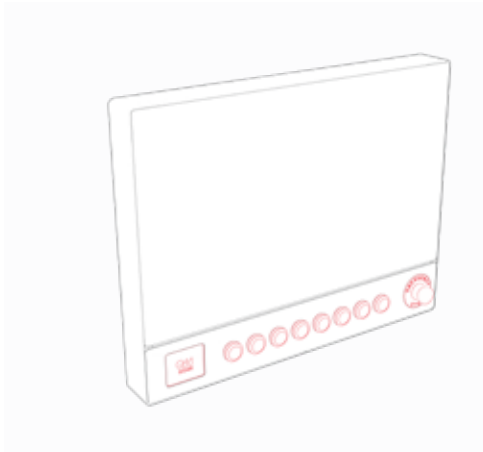
# Highlights



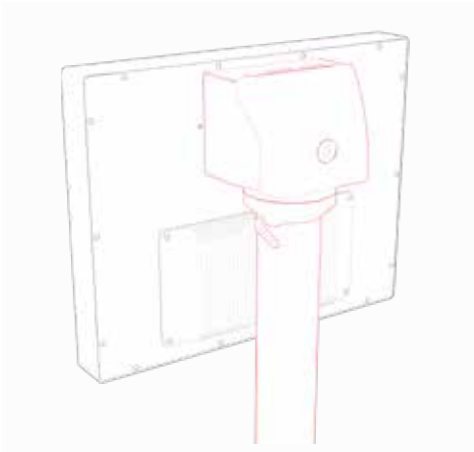
Slim case design  
with PCAP multi-touch



Passive cooling  
through ribbed heat sinks



Individual button integration  
possible



Modular connection system with fast  
accessible and generous cable duct

## Panel PC Options

- + RFID-Reader
- + Customer logo in the bottom area
- + Housing color according to customer requirements
- + WiFi
- + Power supply 230VAC or 24VDC
- + Keyboard tray
- + Conventional buttons, emergency stop
- + Interface expansion
- + Bus systems (Profinet, arcnet, IO-Link, etc.)
- + Many other options are possible as an individual solution

## + Application Examples

Regardless of the requirements you previously had on a control housing - with the new SL5000, implementation is a lot easier and the result is significantly more individual. In addition to the practical divider, which can be arranged both vertically and horizontally, there are options such as front glass installation, desk attachments on each side of the housing and individual color design for all housing components. In addition, your finished solution will benefit from the simple, timelessly elegant design without classic corner pieces.



### Features

- Depth of the housing ca. 95mm
- Full-surface glass front above with separator and aluminium front plate with integrated push-button
- Hinged back wall
- External handles on side C/D
- Console housing with integration of the EKS-system and rotary encoder
- Connection of the GTS support arm system to side A



### Features

- Depth of the housing ca. 140mm
- Full-surface glass front above with backlit company logo / status display
- Aluminum front panel with built-in control and integration of buttons
- Hinged back wall
- Connection of the GTN II support arm system to A and B





## Features

- Depth of the housing ca. 60mm
- Full-surface glass front
- Desk housing for button integration
- Screwed back wall
- Side integration of the EKS-system
- Connection of the flat panel adapter to the rear wall

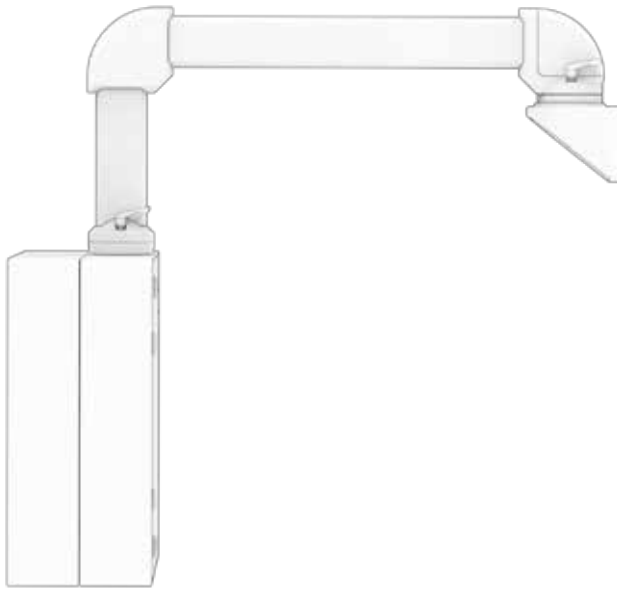


## Features

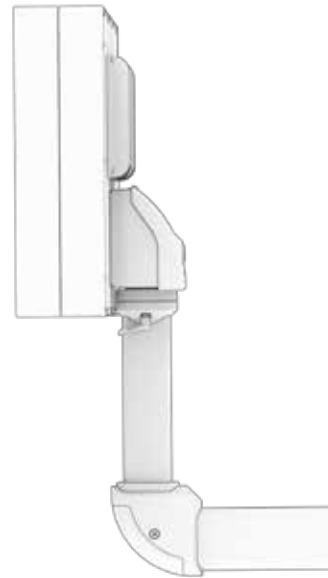
- Depth of the housing ca. 95mm
- Full-surface glass front
- Desk housing on the side for button integration
- Screwed back wall
- Side integration of the EKS-system
- Connection of the flat panel adapter to the rear wall

## + Connection options

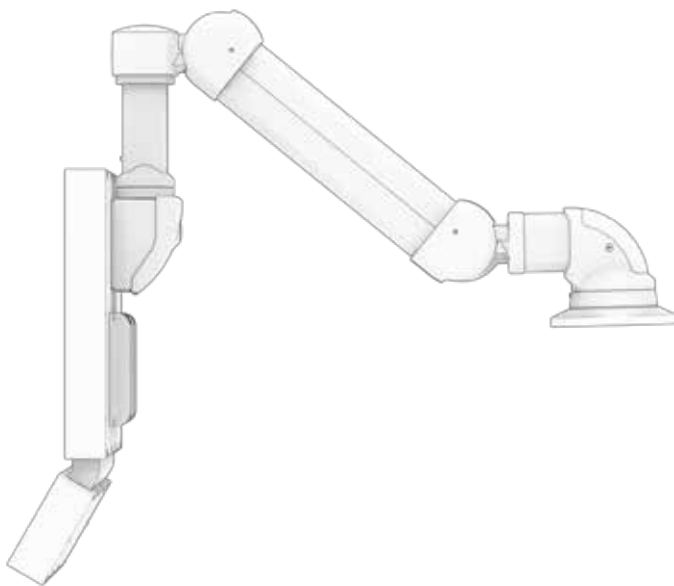
The SL5000 system housings can be connected to the entire ROSE support arm portfolio in a variety of ways. In addition to the practical flat panel adapter, numerous rotatable, tiltable and height-adjustable adapters are available that can be combined with the support profiles to form a support arm that perfectly matches your application.



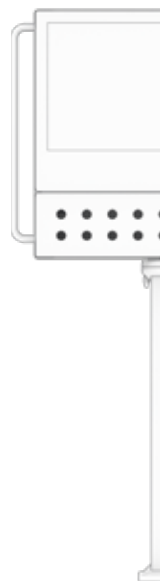
**Support arm - hanging**



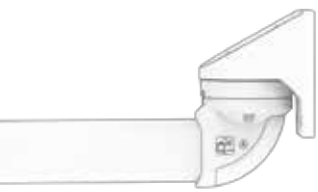
**Support arm**



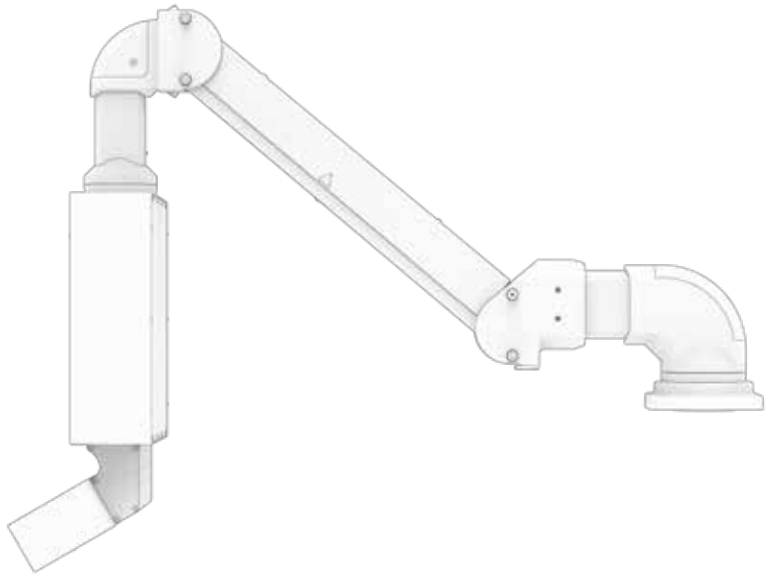
**Height-adjustable support arm (light to medium loads)**  
Ergonomic connection via GTV Light



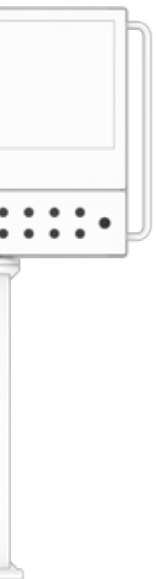
**Standing p**



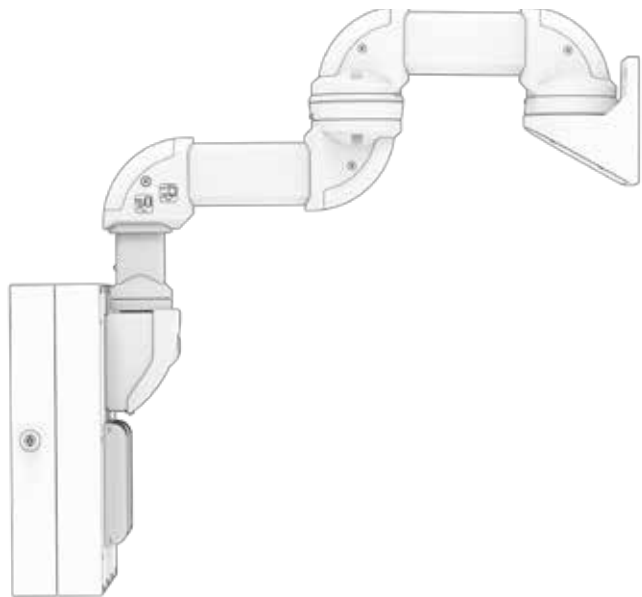
arm - standing



**Height-adjustable support arm (heavy loads)**  
Ergonomic connection via GTV 2.0



pillar model



**Support arm - hanging**  
with intermediate joint



**ROSE**

A Phoenix Mecano Company

## Your contacts:



### Jan Paulsen

Productdevelopment & Produktmanagement HMI

✉ Jan.Paulsen@rose-pw.de  
☎ +49 175 345 38 24  
☎ +49 4826 37666 33



### Peter Schiller

Head of Sales HMI Solutions / Key Account Manager Automotive

✉ Peter.Schiller@rose-pw.de  
☎ +49 171 771 99 11  
☎ +49 4826 37666 36



### Tobias Büsching

Productmanager HMI

✉ Tobias.Buesching@rose-pw.de  
☎ +49 151 295 025 66  
☎ +49 571 5041 409



### Jochen Lindemann

Dipl.-Ing. / Key Account Manager Automotive

✉ Jochen.Lindemann@rose-pw.de  
☎ +49 173 294 4012  
☎ +49 571 5041 107

**Rose Systemtechnik GmbH**  
Erbeweg 13 - 15  
32457 Porta Westfalica

✉ rose@rose-pw.de  
🌐 www.rose-systemtechnik.com  
☎ +49 571 - 50410

**HMI SOLUTIONS**