



- + Mobile stand system for control components
- + Optional fixed or manual adjustable versions
- + Version with 2 or 4 roller system

### Included in delivery

Moterm with mounted inclination adjuster and adapter plate for commander systems (please order adapter plate separately)

### Technische Daten

**Material:**

Foot: sheet steel

Profile: DIN EN 573 EN AW-AMgSi

**Painting:**

Powder coating

**Colour:**

Profile: RAL 7035, light grey

Foot: RAL 7021, black grey

**Max. static load:**

35 kg (Moterm 1 and 2)

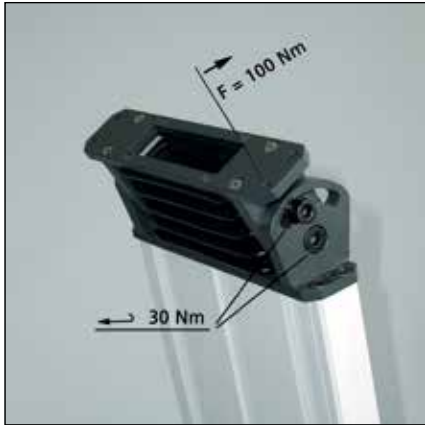
80 kg (Moterm 4 and 5)

# Moterm I

## Produktübersicht

Order No.	Type	Height	Description	Weight
50.01 01 01	Moterm 1	1000 mm	feste Ausführung, 2 Rollen	23
50.01 01 02	Moterm 2	von 750 mm bis 1000 mm	manuell verstellbar, 2 Rollen	23
50.01 01 04	Moterm 4	980 mm	feste Ausführung, 4 Rollen	25
50.01 01 05	Moterm 5	von 730 mm bis 1000 mm	manuell verstellbar, 4 Rollen	26,5

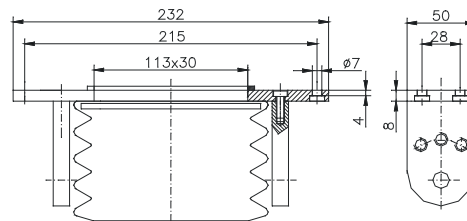
## Zubehör



Universal adapter plate on moterm

Adapter plate  
for connection to the control enclosure

Order No.	Type
50.01 02 03	Adapter plate SL 2000 profile 1
50.01 02 04	Adapter plate SL 2000 profile 2
50.01 02 05	Adapter plate SL 2000 profile 3
50.01 02 06	Adapter plate SL 3000 profile 1
50.01 02 07	Adapter plate SL 3000 profile 2 to 4
50.01 02 08	Adapter plate SL 3000 console version
50.01 02 09	Adapter plate universal (see drawing)
50.01 02 10	Adapter plate Beckhoff CP 7032
50.01 02 11	Adapter plate ComTronic
50.01 02 12	Adapter plate SL 3000 profile 4 (direct mounting)
50.01 02 14	Adapter plate SL 4000 profile 1 - 3
50.01 02 15	Adapter plate SL 4000 console version



## Load specification Moterm 4 and 5



Max. static load capacity: 80 kg

The following table gives details for one-sided or uneven loading of Moterm 4 and 5. Stability on an even surface is guaranteed if these values are maintained.

### Load case

front		rear		left/right	
Load	Working range	Load	Working range	Load	Working range
48 kg	350 mm	80 kg	400 mm	56 kg	430 mm
43 kg	390 mm	61 kg	450 mm	35 kg	530 mm
33 kg	430 mm	45 kg	500 mm	17,8 kg	730 mm
28 kg	450 mm				

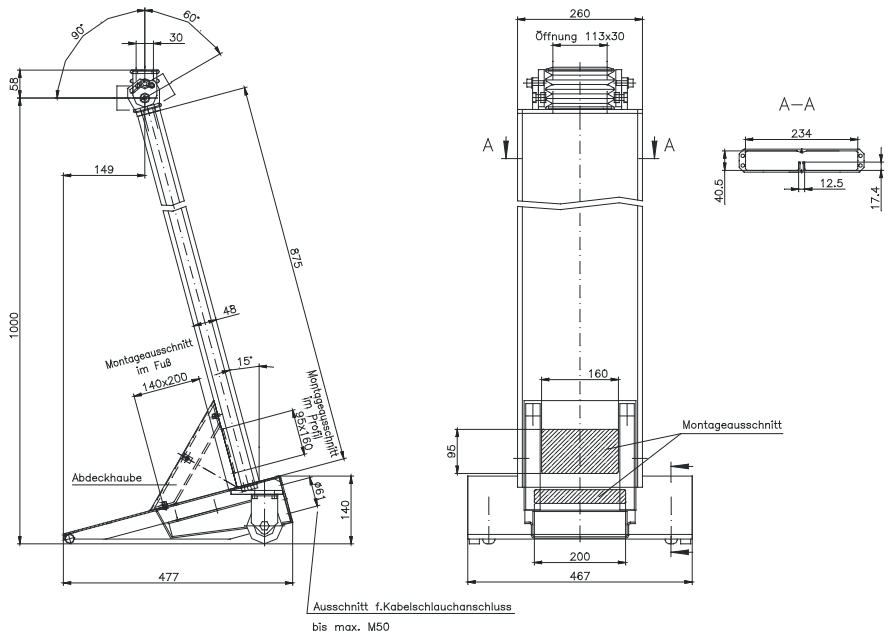
The data relates to a structure height of 960 mm and 0° inclination adjustment.





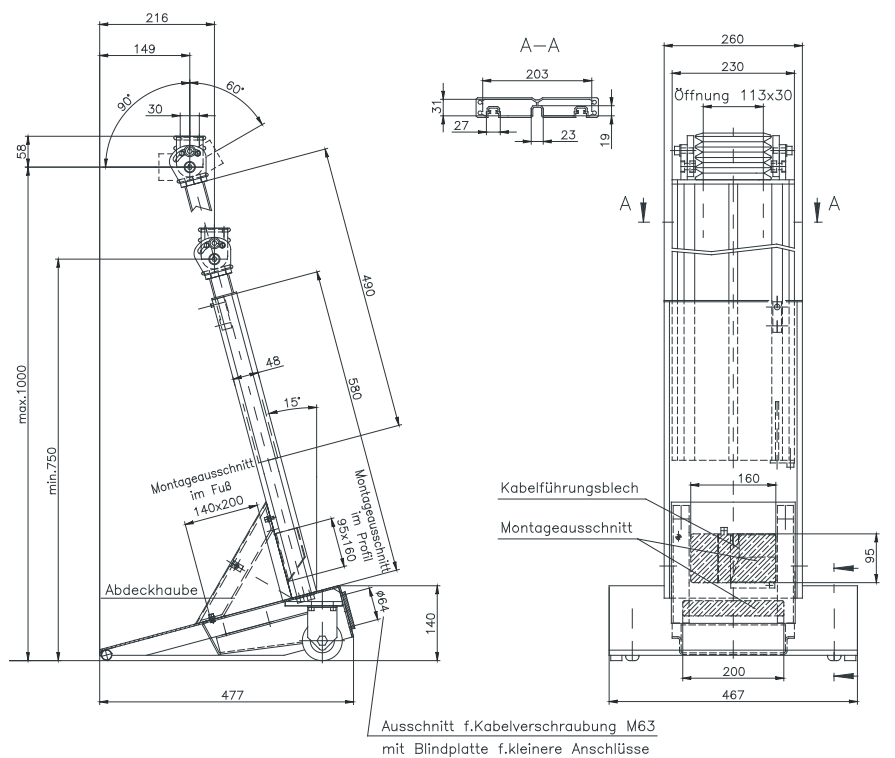
**Moterm 1**  
Fixed version

Order No. **50.01 01 01**



**Moterm 2**  
Manually adjustable

Order No. **50.01 01 02**

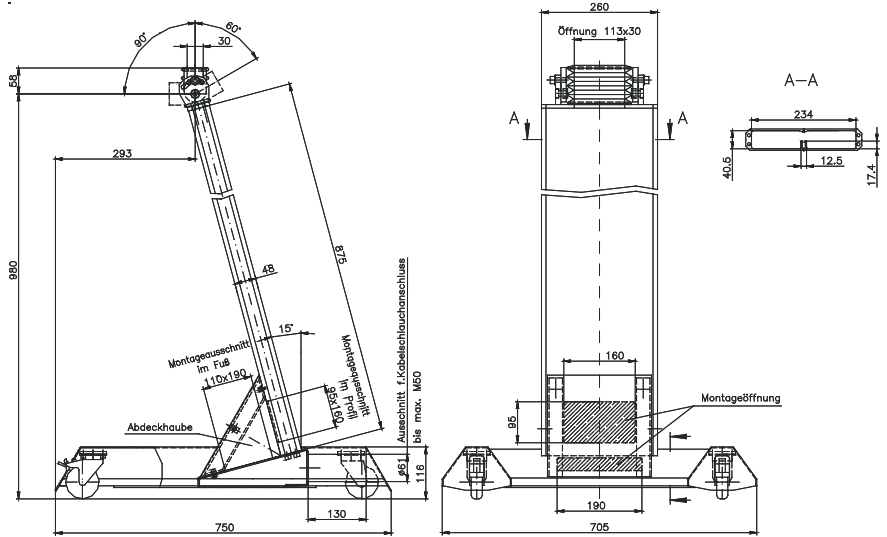


# Moterm I



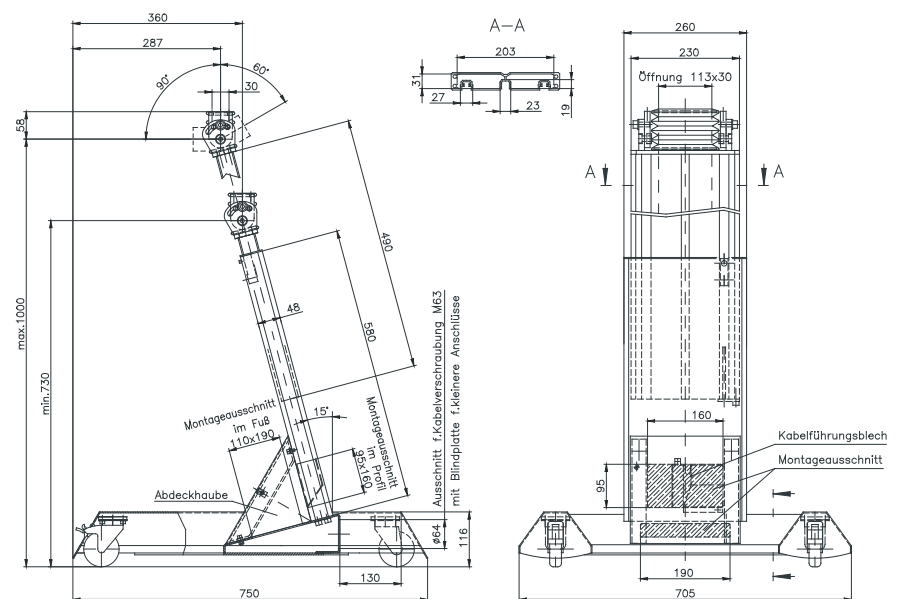
**Moterm 4**  
Fixed version

Order No. **50.01 01 04**



**Moterm 5**  
Manually adjustable

Order No. **50.01 01 05**





- + Mobile stand system for control components
- + Fixed or height-adjustable version with pneumatic spring
- + Version with 4 rollers or with foot stand
- + Optionally foot stand for anchoring

### Included in delivery

Moterm with integrated tilt adjustment for adapter plate for control systems  
(Please order adapter plate separately)

## Technical data

Material	Base and stand profile: Aluminium profile system; DIN EN 573 EN AW-ALMgSi
Colour	Stand profile: plain anodized, optional powder-coated Base: RAL 9005, jet black
Maximum static load	80 kg

# Moterm II

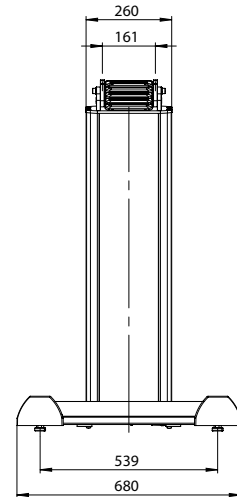
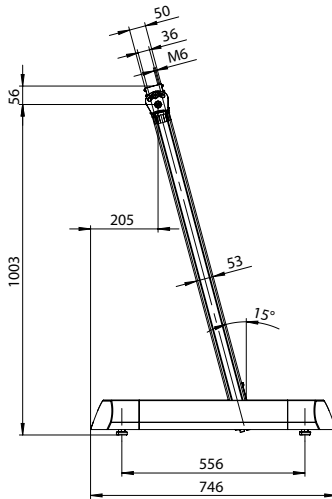
## Product range

### Moterm x11



Version with levelling feet to adjust for floor irregularities – as a stand system  
Version with fixed height (966 mm), other height or base dimensions on request

Order No.	Type	Height	Execution	Load
<b>50.01 03 11</b>	Moterm 311	1059 mm	fixed height, with foot stand	8 - 80 kg
<b>50.01 09 11</b>	Moterm 911	customized	fixed height, with foot stand	customized

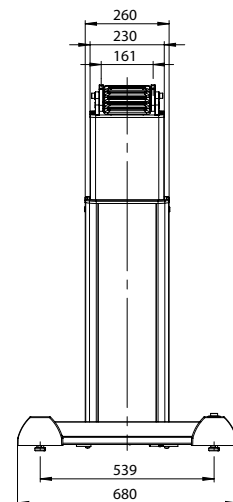
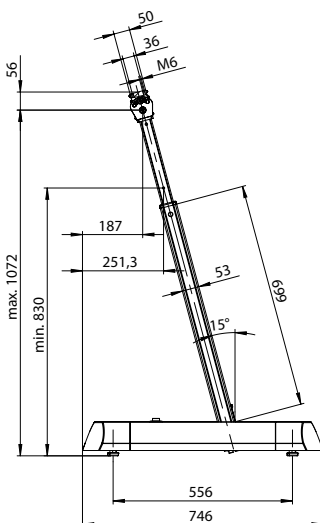


### Moterm x12



Version with levelling feet to adjust for floor irregularities – as a stand system  
Version with pneumatic spring and release mechanism  
Height can be adjusted from 750 mm to 1000 mm  
for load ranges from 8 to 50 kg; other load values on request

Order No.	Type	Height	Execution	Load
<b>50.01 03 12</b>	Moterm 312	886 mm to 1128 mm	manually adjustable, with food stand	8 - 15 kg
<b>50.01 04 12</b>	Moterm 412	886 mm to 1128 mm	manually adjustable, with food stand	16 - 22 kg
<b>50.01 05 12</b>	Moterm 512	886 mm to 1128 mm	manually adjustable, with food stand	23 - 30 kg
<b>50.01 06 12</b>	Moterm 612	886 mm to 1128 mm	manually adjustable, with food stand	31 - 40 kg
<b>50.01 07 12</b>	Moterm 712	886 mm to 1128 mm	manually adjustable, with food stand	41 - 50 kg
<b>50.01 09 12</b>	Moterm 912	886 mm to 1128 mm	manually adjustable, with food stand	customized



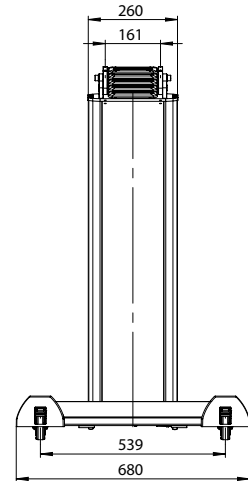
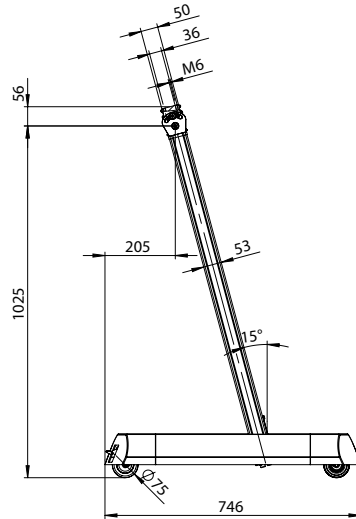
## Technical details

### Moterm x14



Version with 4 rollers, 2 movable and 2 locking rollers  
Version with fixed height (984 mm), other height or base dimensions on request

Order No.	Type	Height	Execution	Load
<b>50.01 03 14</b>	Moterm 314	1081 mm	fixed height, 4 rollers	8 - 80 kg
<b>50.01 09 14</b>	Moterm 914	variable Execution	fixed height, 4 rollers	customized

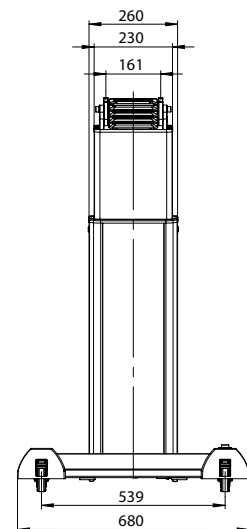
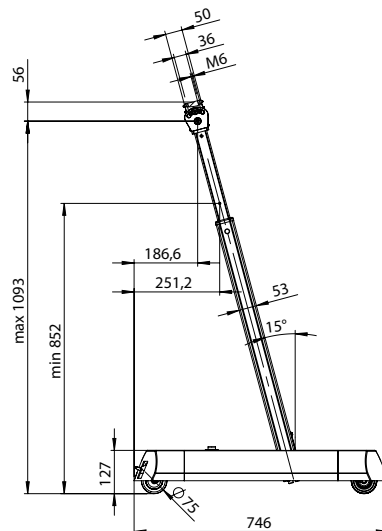


### Moterm x15



Version with 4 rollers, 2 movable and 2 locking rollers, with pneumatic spring and release mechanism  
Height can be adjusted from 750 mm to 1000 mm  
for load ranges from 8 to 50 kg; other load values on request

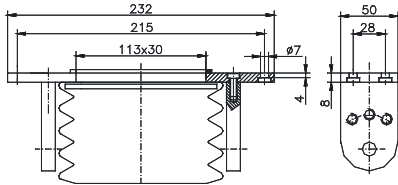
Order No.	Type	Height	Execution	Load
<b>50.01 03 15</b>	Moterm 315	886 mm to 1128 mm	manually adjustable, 4 rollers	8 - 15 kg
<b>50.01 04 15</b>	Moterm 415	886 mm to 1128 mm	manually adjustable, 4 rollers	16 - 22 kg
<b>50.01 05 15</b>	Moterm 515	886 mm to 1128 mm	manually adjustable, 4 rollers	23 - 30 kg
<b>50.01 06 15</b>	Moterm 615	886 mm to 1128 mm	manually adjustable, 4 rollers	31 - 40 kg
<b>50.01 07 15</b>	Moterm 715	886 mm to 1128 mm	manually adjustable, 4 rollers	41 - 50 kg
<b>50.01 09 15</b>	Moterm 915	886 mm to 1128 mm	manually adjustable, 4 rollers	customized



# Moterm II

## Accessories

### Adapter plate for connecting to the control enclosure



Order No.	Type
<b>50.01 02 03</b>	Adapter plate SL 2000 Profile 1
<b>50.01 02 04</b>	Adapter plate SL 2000 Profile 2
<b>50.01 02 05</b>	Adapter plate SL 2000 Profile 3
<b>50.01 02 06</b>	Adapter plate SL 3000 Profile 1
<b>50.01 02 07</b>	Adapter plate SL 3000 Profile 2 to 4
<b>50.01 02 08</b>	Adapter plate SL 3000 console version
<b>50.01 02 09</b>	Adapter plate universal (s. Zeichnung)
<b>50.01 02 10</b>	Adapter plate Beckhoff CP 7032
<b>50.01 02 11</b>	Adapter plate ComTronic
<b>50.01 02 12</b>	Adapter plate SL 3000 Profile 4 (direct installation)
<b>50.01 02 14</b>	Adapter plate SL 4000 Profile 1 - 3
<b>50.01 02 15</b>	Adapter plate SL 4000 console version

### Feet for anchoring



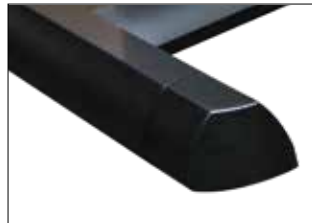
Order No.	Execution
<b>50.00 01 01</b>	Set = 2 pcs



Locking system for version with rollers



Simple adjustment option for height adjustment



Floor attachment with levelling unit (optionally für anchoring)

