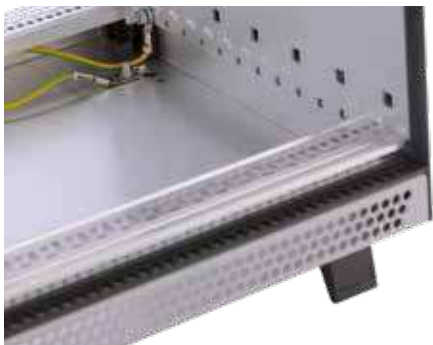


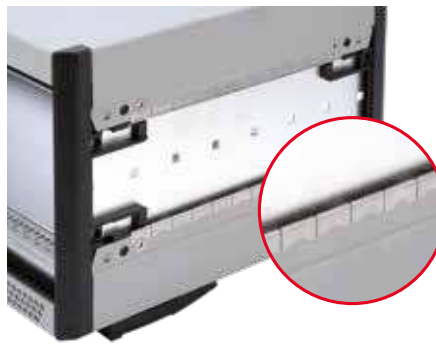
The product advantages



The 19" Internorm Stil desktop enclosure system consists of powder-coated aluminium components and is compatible with the accessory components and profiles in the Interzoll Modul product range.



We recommend the ventilated enclosure if electronic components generate high temperatures. In this way, the airflow is conducted from "below at the front" to "top at the rear".



The standard enclosure design provides good EMC characteristics, which can be upgraded by the use of optional EMC components.



Thanks to the various equipment options such as handles and tip-up feet, Internorm Stil can be flexibly adapted to the relevant application.



As an option, handles or 19" flanges can be fitted on the front side for switch cabinet installation.



Quick-Finder:
www.bopla.de/86

Examples of use





BOPLA

A Phoenix Mecano Company

Internorm Stil



Colour:

Enclosure:

● White aluminum, similar to RAL 9006

Profiles, feet:

● Anthracite grey, similar to RAL 7016

Protection class:

IP20 / DIN EN 60529

Material:

Profiles: Al Mg Si 0,5, anodized

Covers: diecast aluminum

Front handles / flanges: diecast aluminum

Side walls, cover and side panels:

passivated aluminium

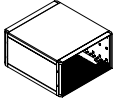
For details see technical information.



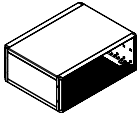
Enclosure sizes

3 U

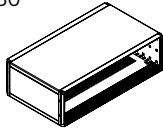
INS 24340



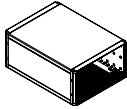
INS 24360



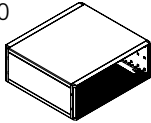
INS 24380



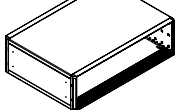
INS 30340



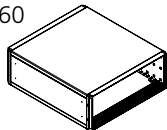
INS 30360



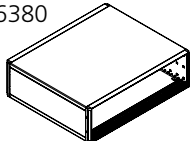
INS 30380



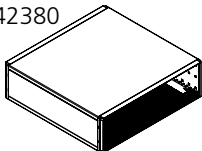
INS 36360



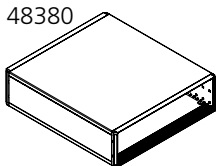
INS 36380



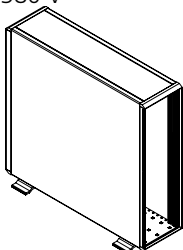
INS 42380



INS 48380

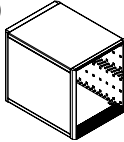


INS 48380 V

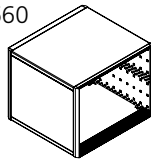


6 U

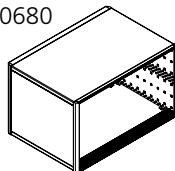
INS 30640



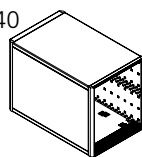
INS 30660



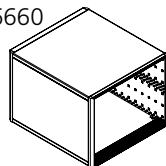
INS 30680



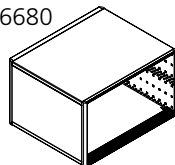
INS 36640



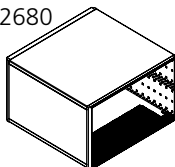
INS 36660



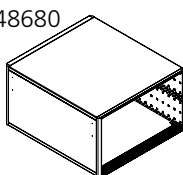
INS 36680



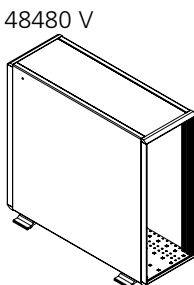
INS 42680



INS 48680

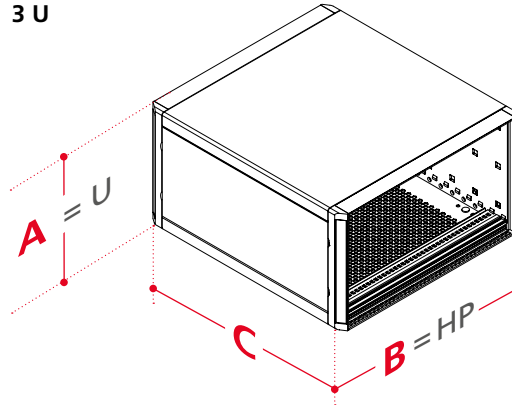


INS 48480 V



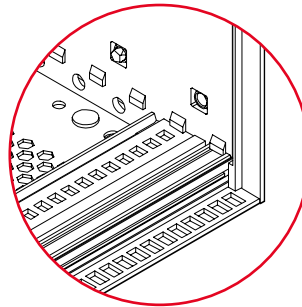
Design types

3 U

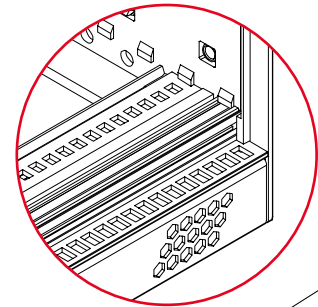


B + C = Profile lengths individually selectable

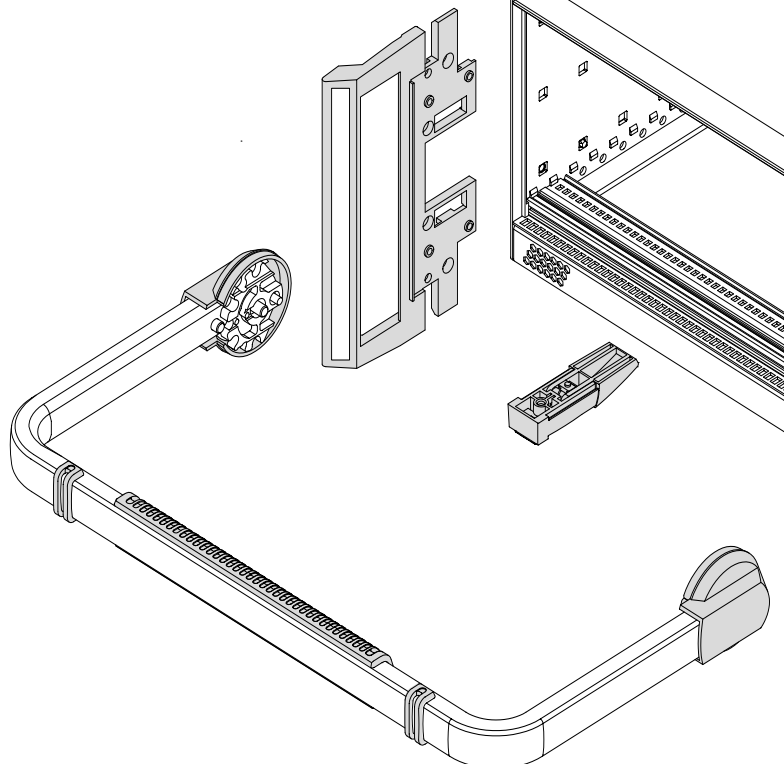
Without ventilation



With ventilation



All enclosure sizes are available with and without ventilation.





BOPLA

A Phoenix Mecano Company

Internorm Stil

Dimensions

Model	A	B	C	HP
3 U				
	Without / with ventilation			
INS 24340 (-L)	132.55 / 177	235.54	255.5	42
INS 24360 (-L)	132.55 / 177	342.02	255.5	63
INS 24380 (-L)	132.55 / 177	448.7	255.5	84
INS 30340 (-L)	132.55 / 177	235.54	315.5	42
INS 30360 (-L)	132.55 / 177	342.02	315.5	63
INS 30380 (-L)	132.55 / 177	448.7	315.5	84
INS 36360 (-L)	132.55 / 177	342.02	375.5	63
INS 36380 (-L)	132.55 / 177	448.7	375.5	84
INS 42380 (-L)	132.55 / 177	448.7	435.5	84
INS 48380 (-L)	132.55 / 177	448.7	495.5	84
6 U				
	Without / with ventilation			
INS 30640 (-L)	265.9 / 310.35	235.54	315.5	42
INS 30660 (-L)	265.9 / 310.35	342.02	315.5	63
INS 30680 (-L)	265.9 / 310.35	448.7	315.5	84
INS 36640 (-L)	265.9 / 310.35	235.54	375.5	42
INS 36660 (-L)	265.9 / 310.35	342.02	375.5	63
INS 36680 (-L)	265.9 / 310.35	448.7	375.5	84
INS 42680 (-L)	265.9 / 310.35	448.7	435.5	84
INS 48680 (-L)	265.9 / 310.35	448.7	495.5	84
Tower enclosure				
	Without ventilation			
INS 48380 V	132.55 (3 U)	448.7	495.5	84
INS 48480 V	177 (4 U)	448.7	495.5	84

Accessories



Strap handles incl. lateral trim



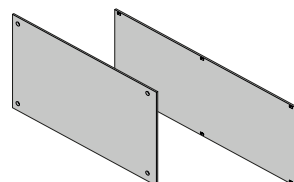
Flange with handle, screwable in place of the cover strips



Plug-in stack adapter

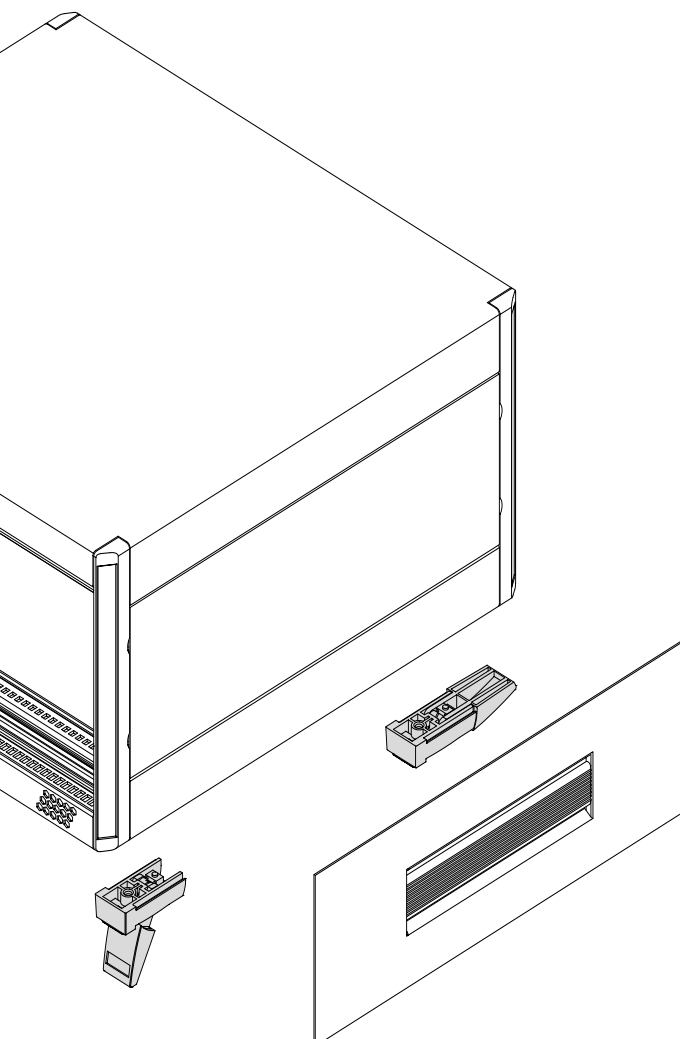
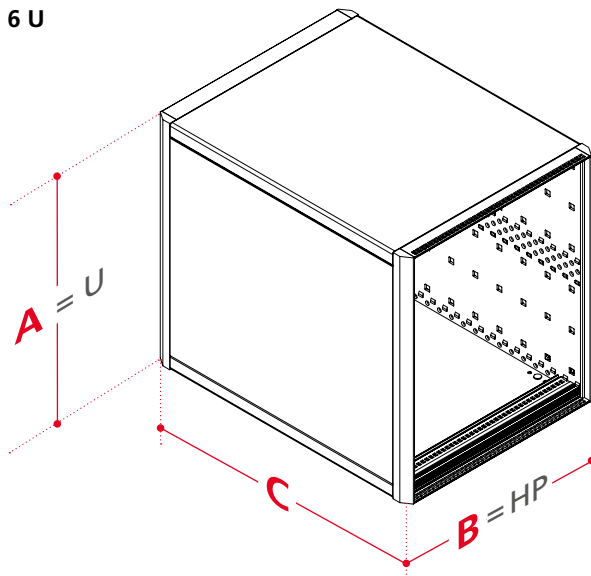


EMC springs for horizontal shielding between cover plates and side panels



Front and part front panels in different versions

6 U



Internorm Stil

Without ventilation

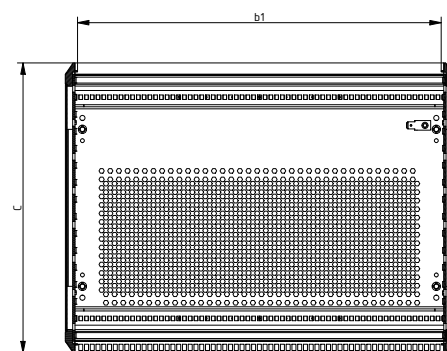
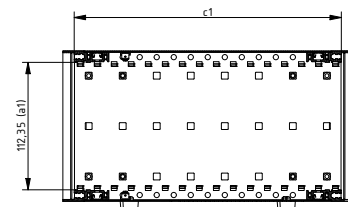
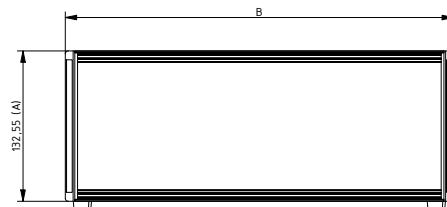


Enclosures without ventilation, 3 U

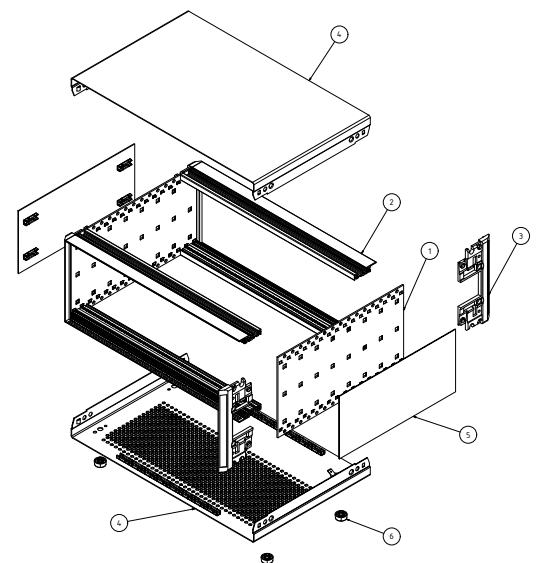
Model	Order no.	A	B	C	a1	b1	c1	U	HP
INS 24340	85024345	132.55	235.54	255.5	112.35	213.94	235.5	3	42
INS 24360	85024365	132.55	342.02	255.5	112.35	320.62	235.5	3	63
INS 24380	85024385	132.55	448.7	255.5	112.35	427.3	235.5	3	84
INS 30340	85030345	132.55	235.54	315.5	112.35	213.94	295.5	3	42
INS 30360	85030365	132.55	342.02	315.5	112.35	320.62	295.5	3	63
INS 30380	85030385	132.55	448.7	315.5	112.35	427.3	295.5	3	84
INS 36360	85036365	132.55	342.02	375.5	112.35	320.62	355.5	3	63
INS 36380	85036385	132.55	448.7	375.5	112.35	427.3	355.5	3	84
INS 42380	85042385	132.55	448.7	435.5	112.35	427.3	415.5	3	84
INS 48380	85048385	132.55	448.7	495.5	112.35	427.3	475.5	3	84

Scope Of Delivery: 1) 2 side panels (Al, white chromated) 2) 4 front profiles, suitable for ejector handle acc. to IEEE 1101.10 (aluminium, powder-coated visible surfaces, anthracite grey, similar to RAL 7016) 3) 4 trims (diecast zinc, powder-coated, anthracite grey, similar to RAL 7016) 4) 2 cover plates with earthing connection; both with front ventilation (aluminium, white chromated, visible surfaces powder-coated, white aluminium, similar to RAL 9006) 5) 2 side panel coverings (aluminium, white chromated, powder-coated visible surfaces, white aluminium, similar to RAL 9006) 6) 4 enclosure feet (PC, black with anti-slip protection) 7) 1 set of BFS/INS 0100, BFS/INS 0200, BFS/INS 0300 fixing material (not shown)

Notes: Installation acc. to IEC 60297-3-101



Z-2903302



Internorm Stil

Without ventilation

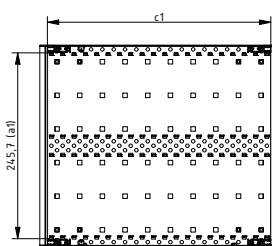
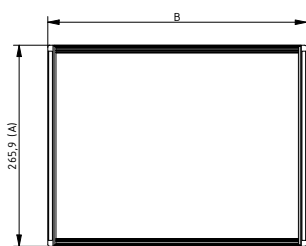
Enclosures without ventilation, 6 U

Model	Order no.	A	B	C	a1	b1	c1	U	HP
INS 30640	85030645	265.9	235.54	315.5	245.69	213.94	295.5	6	42
INS 30660	85030665	265.9	342.02	315.5	245.69	320.62	295.5	6	63
INS 30680	85030685	265.9	448.7	315.5	245.69	427.3	295.5	6	84
INS 36640	85036645	265.9	235.54	375.5	245.69	213.94	355.5	6	42
INS 36660	85036665	265.9	342.02	375.5	245.69	320.62	355.5	6	63
INS 36680	85036685	265.9	448.7	375.5	245.69	427.3	355.5	6	84
INS 42680	85042685	265.9	448.7	435.5	245.69	427.3	415.5	6	84
INS 48680	85048685	265.9	448.7	495.5	245.69	427.3	475.5	6	84

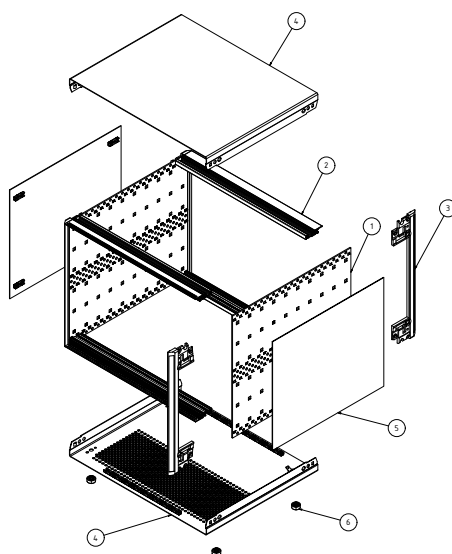
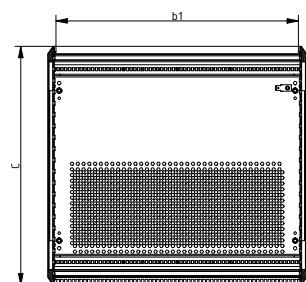


Scope Of Delivery: 1) 2 side panels (Al, white chromated) 2) 4 front profiles, suitable for ejector handle acc. to IEEE 1101.10 (aluminium, powder-coated visible surfaces, anthracite grey, similar to RAL 7016) 3) 4 trims (diecast zinc, powder-coated, anthracite grey, similar to RAL 7016) 4) 2 cover plates with earthing connection; both with front ventilation (aluminium, white chromated, visible surfaces powder-coated, white aluminium, similar to RAL 9006) 5) 2 side panel coverings (aluminium, white chromated, powder-coated visible surfaces, white aluminium, similar to RAL 9006) 6) 4 enclosure feet (PC, black with anti-slip protection) 7) 1 set of BFS/INS 0100, BFS/INS 0200, BFS/INS 0300 fixing material (not shown)

Notes: Installation acc. to IEC 60297-3-101



Z-2904372



Internorm Stil

With ventilation

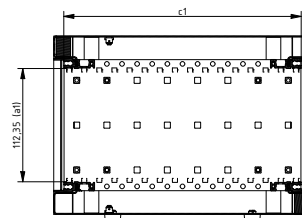
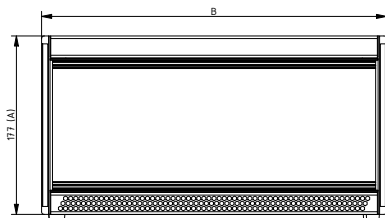


Enclosures with integrated ventilation, 3 U, each above and below with additional 0.5 U for the ventilation sections

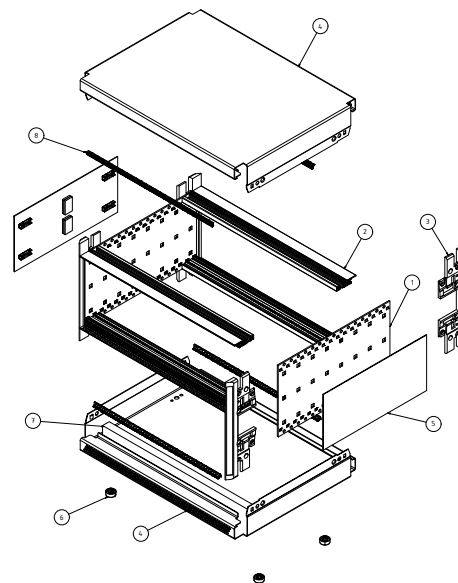
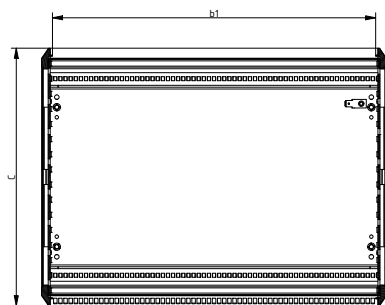
Model	Order no.	A	B	C	a1	b1	c1	U	HP
INS 24340-L	85024346	177	235.54	255.5	112.35	213.94	235.5	3	42
INS 24360-L	85024366	177	342.02	255.5	112.35	320.62	235.5	3	63
INS 24380-L	85024386	177	448.7	255.5	112.35	427.3	235.5	3	84
INS 30340-L	85030346	177	235.54	315.5	112.35	213.94	295.5	3	42
INS 30360-L	85030366	177	342.02	315.5	112.35	320.62	295.5	3	63
INS 30380-L	85030386	177	448.7	315.5	112.35	427.3	295.5	3	84
INS 36340-L	85036346	177	235.54	375.5	112.35	213.94	355.5	3	42
INS 36360-L	85036366	177	342.02	375.5	112.35	320.62	355.5	3	63
INS 36380-L	85036386	177	448.7	375.5	112.35	427.3	355.5	3	84
INS 42380-L	85042386	177	448.7	435.5	112.35	427.3	415.5	3	84

Scope Of Delivery: 1) 2 side panels (Al, white chromated) 2) 4 front profiles, suitable for ejector handle acc. to IEEE 1101.10 (aluminium, powder-coated visible surfaces, anthracite grey, similar to RAL 7016) 3) 4 trims (diecast zinc, powder-coated, anthracite grey, similar to RAL 7016) 2 lateral cover plates with earthing connection (aluminium, white chromated, powder-coated visible surfaces, white aluminium, similar to RAL 9006) 5) 2 side panel coverings (aluminium, white chromated, powder-coated visible surfaces, white aluminium, similar to RAL 9006) 6) 4 enclosure feet (PC, black with anti-slip protection) 7) 2 filter strips 8) 1 set of BFS/INS 0100, BFS/INS 0200, BFS/INS 0300 fixing material (not shown)

Notes: Installation acc. to IEC 60297-3-101



Z-2903303



Internorm Stil

With ventilation

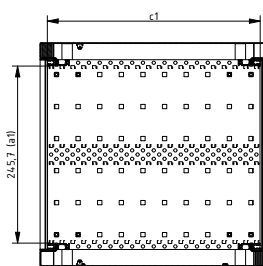
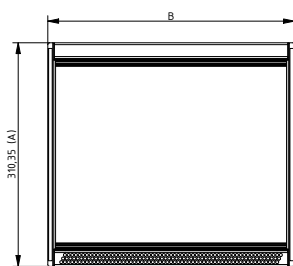
Enclosures with integrated ventilation, 6 U, each above and below with additional 0.5 U for the ventilation sections

Model	Order no.	A	B	C	a1	b1	c1	U	HP
INS 30640-L	85030646	310.35	235.54	315.5	245.69	213.94	295.5	6	42
INS 30660-L	85030666	310.35	342.02	315.5	245.69	320.62	295.5	6	63
INS 30680-L	85030686	310.35	448.7	315.5	245.69	427.3	295.5	6	84
INS 36640-L	85036646	310.35	235.54	375.5	245.69	213.94	355.5	6	42
INS 36660-L	85036666	310.35	342.02	375.5	245.69	320.62	355.5	6	63
INS 36680-L	85036686	310.35	448.7	375.5	245.69	427.3	355.5	6	84
INS 42680-L	85042686	310.35	448.7	435.5	245.69	427.3	415.5	6	84
INS 48680-L	85048686	310.35	448.7	495.5	245.69	427.3	475.5	6	84

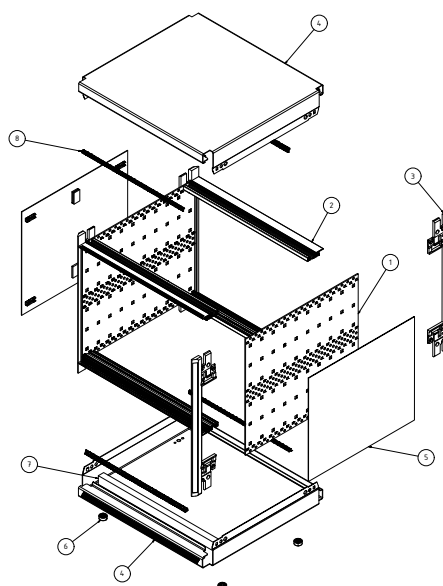
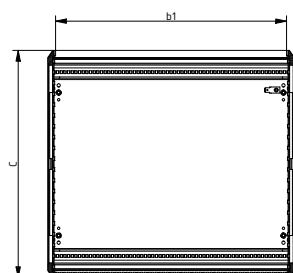


Scope Of Delivery: 1) 2 side panels (Al, white chromated) 2) 4 front profiles, suitable for ejector handle acc. to IEEE 1101.10 (aluminium, powder-coated visible surfaces, anthracite grey, similar to RAL 7016) 3) 4 trims (diecast zinc, powder-coated, anthracite grey, similar to RAL 7016) 2 lateral cover plates with earthing connection (aluminium, white chromated, powder-coated visible surfaces, white aluminium, similar to RAL 9006) 5) 2 side panel coverings (aluminium, white chromated, powder-coated visible surfaces, white aluminium, similar to RAL 9006) 6) 4 enclosure feet (PC, black with anti-slip protection) 7) 2 filter strips 8) 1 set of BFS/INS 0100, BFS/INS 0200, BFS/INS 0300 fixing material (not shown)

Notes: Installation acc. to IEC 60297-3-101



Z-2904373



Internorm Stil

Tower enclosure

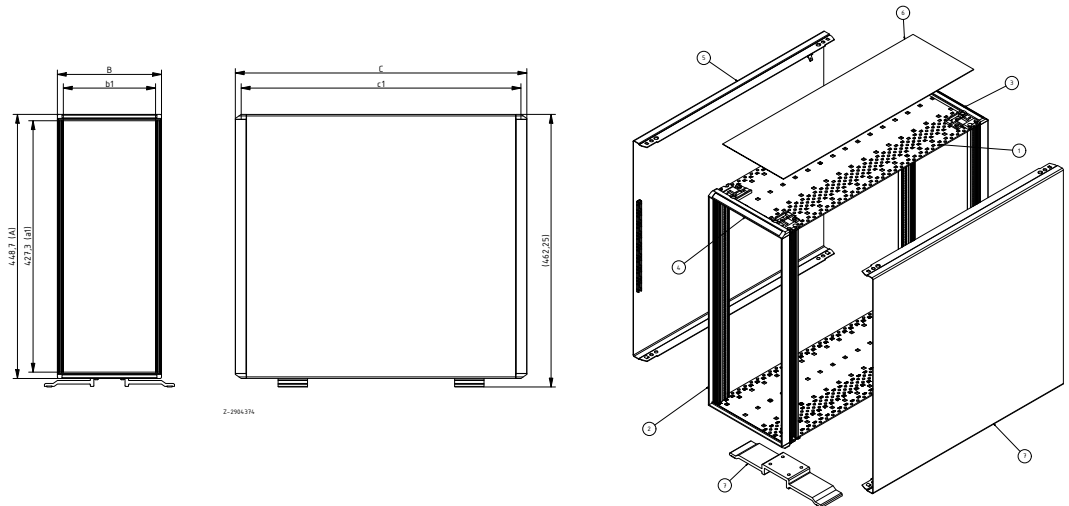


Tower enclosure without ventilation, 3 / 4 U

Model	Order no.	A	B	C	a1	b1	c1	U	HP
INS 48380 V	85048388	132.55	448.7	495.5	112.35	427.3	475.5	3	84
INS 48480 V	85048488	177	448.7	495.5	156.8	427.3	475.5	4	84

Scope Of Delivery: 1) 2 side panels (aluminium, white chromated) 2) 4 front profiles (aluminium, powder-coated visible surfaces, anthracite grey, similar to RAL 7016) 3) 2 rear trims (diecast zinc, powder-coated, anthracite grey, similar to RAL 7016) 4) 2 front covers (diecast zinc, powder-coated, anthracite grey, similar to RAL 7016) 5) 2 lateral cover plates with earthing connection (aluminium, white chromated, powder-coated visible surfaces, white aluminium, similar to RAL 9006) 6) 1 top cover (aluminium, white chromated, powder-coated visible surfaces, white aluminium, similar to RAL 9006) 7) 2 enclosure feet (aluminium, powder-coated, anthracite grey, similar to RAL 7016, with anti-slip protection) 8) 1 set of BFS/INS 0100, BFS/INS 0200, BFS/INS 0300 fixing material (not shown)

Notes: Installation acc. to DIN IEC 60297-3-101. For dimension assignment, see INS 3 U.



Internorm Stil

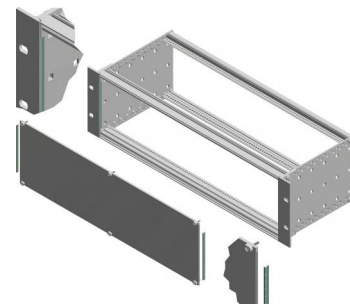
EMC screening

EMC springs, stainless steel, for the connection between front panels, front panel and flange or rear panel and rear end profile

Model	Order no.	U
EMV-Feder-FP/M 2HE	86001002	2
EMV-Feder-FP/M 3HE	86001003	3
EMV-Feder-FP/M 6HE	86001006	6

Scope Of Delivery: 10 EMC springs

Notes: Can be mounted in flanges and end profiles. The front panels must also be equipped with springs.

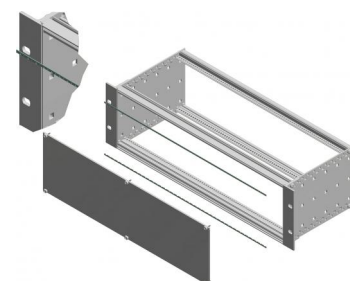


EMC springs, stainless steel, for the connection between the front panel / backplane and profile

Model	Order no.	HP
EMV-Feder-FP/M 42TE	86001142	42
EMV-Feder-FP/M 63TE	86001163	63
EMV-Feder-FP/M 84TE	86001184	84

Scope Of Delivery: 10 EMC springs

Notes: Can be mounted in all front profiles and bus profiles PBIS/M.... Mounting instruction: arrows point outwards.



Montagewerkzeuge für EMV-Feder

Model	Order no.	Note
MWZ/M-I	86001201	Für AP/M
MWZ/M-II	86001202	Für FP/M

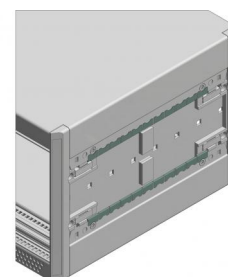
Scope Of Delivery: 1 piece



EMC springs for horizontal shielding between cover plates and side panels, stainless steel

Model	Order no.	Note
EMV-Feder-AS/INS 24000	86055124	For INS 24...
EMV-Feder-AS/INS 30000	86055130	For INS 30...
EMV-Feder-AS/INS 36000	86055136	For INS 36...
EMV-Feder-AS/INS 42000	86055142	For INS 42...
EMV-Feder-AS/INS 48000	86055148	For INS 48...

Scope Of Delivery: 4 EMC springs

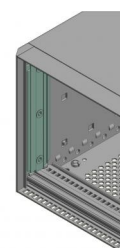


Support profiles for contacting between side panel and plug-in unit, uncoated aluminium

Model	Order no.	U	Note
TL/INS 00300	86051103	3	For INS ..3..
TL/INS 00600	86051106	-	For INS ..6..

Scope Of Delivery: 4 support profiles including EMC profile seals and mounting material

Notes: EMC spring -FP/M can also be used instead of the textile profile seal.



Internorm Stil

Card guides



Card guides standard, one piece, plastic, UL 94 V0, red

Model	Order no.	Card depth	Note
KF/M 80	86021008	80	Groove width 2 mm
KF/M 160	86216010	160	Groove width 2 mm
KF/M 220	86222010	220	Groove width 2 mm
KF/M 160-2,5	86216020	160	Groove width 2.5 mm
KF/M 220-2,5	86222020	220	Groove width 2.5 mm

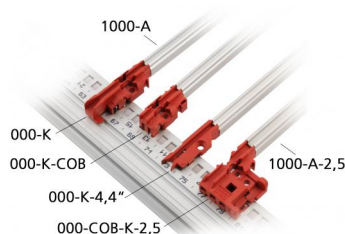
Scope Of Delivery: 1 card guide



Card guides for coding block, one piece, plastic, UL 94 V0, red

Model	Order no.	Card depth	Note
KF/M 160-COB	86021016	160	Groove width 2 mm
KF/M 220-COB	86021022	220	Groove width 2 mm
KF/M 160-COB-V	86022016	160	Groove width 2 mm
KF/M 220-COB-V	86022022	220	Groove width 2 mm
KF/M 280-COB-V	86022028	280	Groove width 2 mm

Scope Of Delivery: 1 card guide



Individual components for universal card guide, plastic, UL 94 V0, red, card guide profiles of natural-coloured anodised aluminium

Model	Order no.	Note
KF/M 000-K	86020000	Standard end pieces, groove width 2 mm
KF/M 000-K-COB	86020100	End pieces for coding block / card retainer, groove width 2 mm
KF/M 000-K-4,4"	86020200	End pieces for card height 4.4", groove width 2 mm
KF/M 000-COB-K-2,5	86020300	End pieces including coding block, groove width 2.5 mm
KF/M 1000	86200020	Card guide profile (1000 mm), groove width 2 mm
KF/M 1000-A-2,5	86200030	Card guide profile (1000 mm), groove width 2.5 mm

Scope Of Delivery: Profiles: 1 piece; end pieces: 10 pairs (right/left)



Card guides, one piece, for heavy PCBs and plug-in units, natural-coloured anodised aluminium

Model	Order no.	Card depth
KF/M 160-V-A	86416010	160
KF/M 220-V-A	86422010	220
KF/M 280-V-A	86428010	280

Scope Of Delivery: 1 card guide

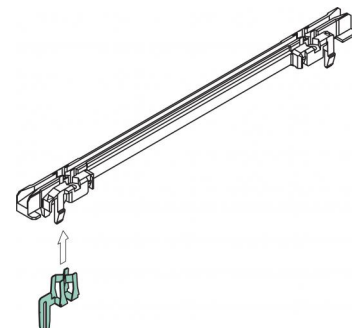
Internorm Stil

Card guides

Card earthing, tin-plated steel, for contacting between board and subrack

Model	Order no.	Note
KE/M	86022100	Card earthing for circuit board

Scope Of Delivery: 20 card earthing units

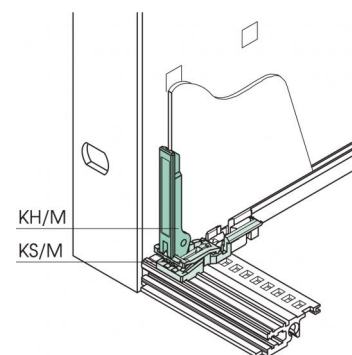


Card lever and card retainer, plastic, UL 94 V0, red, only for use with KF/M...COB (-V)

Model	Order no.	Note
KH/M	86022300	Card lever
KS/M	86022200	Card retainer

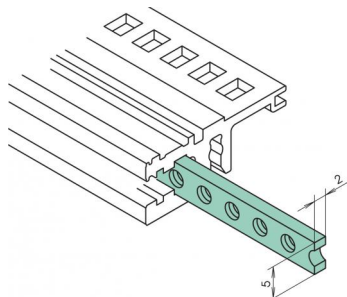
Scope Of Delivery: 1 card lever / 1 card retainer

Notes: The card lever can only be used with the card retainer. Also for use on slot position 1. Minimum clearance for the guide rails: 3 HP.



Internorm Stil

Thread and insulating strips

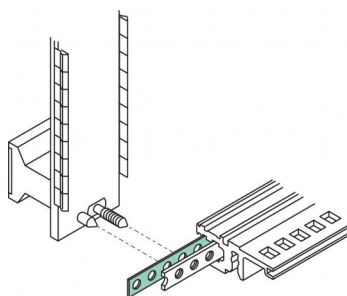


Tapped strips, galv. steel, M2.5

Model	Order no.	HP
GS/M 00042	86542110	42
GS/M 00063	86563110	63
GS/M 00084	86584110	84

Scope Of Delivery: 1 tapped strip

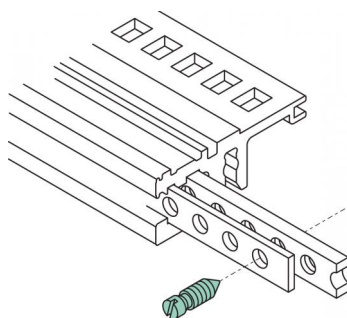
Notes: Can be used for all Interzoll Modul profiles. To fix front panels, use 12.3 mm long collar screws.



Perforated strip, untreated aluminium, for centring the shielded front panels via guide pins

Model	Order no.	HP
LO/M 00042	86542120	42
LO/M 00063	86563120	63
LO/M 00084	86584120	84

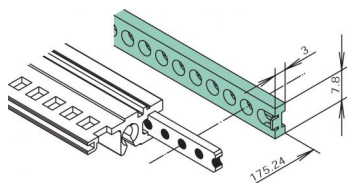
Scope Of Delivery: 1 perforated strip



M2.5 slotted set screw for fixing the perforated strip and fixing and earthing the threaded insert.

Model	Order no.	Note
GSE/M	86002000	SHR STI Z M2.5x6 DIN 533 A2

Scope Of Delivery: 20 slotted set screws

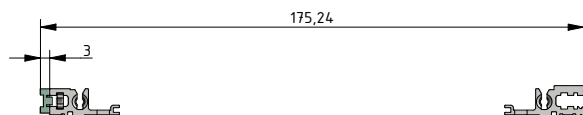


Insulating strip, plastic, UL 94 V0, for insulated fixing of backplanes

Model	Order no.	HP
IS/M 00042	86542130	42
IS/M 00063	86563130	63
IS/M 00084	86584130	84

Scope Of Delivery: 1 insulating strip

Notes: Mounting material BFS/M 0300 and 0400 as accessories.



Z-2904365

Internorm Stil

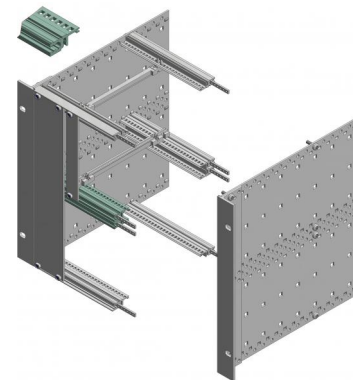
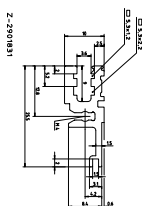
Profiles

Front profiles without lip, natural-coloured anodised aluminium, conductive contact surfaces, for installation behind full-width front panels

Model	Order no.	HP
PF/M 00042-OD	86542310	42
PF/M 00063-OD	86563310	63
PF/M 00084-OD	86584310	84

Scope Of Delivery: 1 profile

Notes: For installation behind a full-width front panel, e.g. 6 U. Please order the EMC spring separately.

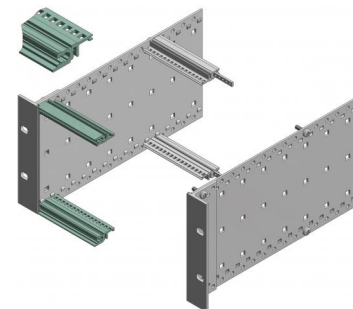
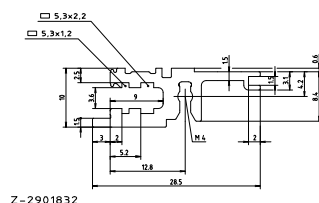


Front profiles with short lip (standard), natural-coloured anodised aluminium, conductive contact surfaces

Model	Order no.	HP
PF/M 00042	86542320	42
PF/M 00063	86563320	63
PF/M 00084	86584320	84

Scope Of Delivery: 1 profile

Notes: Please order the EMC spring separately.

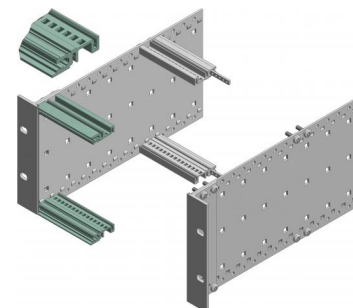
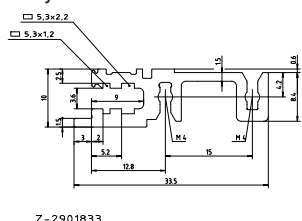


Front profiles for high mechanical loads, natural-coloured anodised aluminium, conductive contact surfaces, 2-hole fixing

Model	Order no.	HP
PF/M 00042-BN	86542330	42
PF/M 00063-BN	86563330	63
PF/M 00084-BN	86584330	84

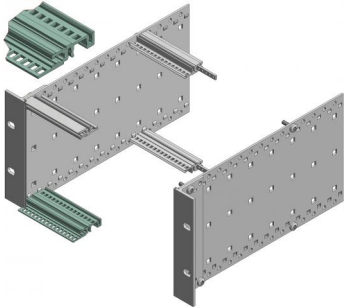
Scope Of Delivery: 1 profile

Notes: Please order the EMC spring separately.



Internorm Stil

Profiles

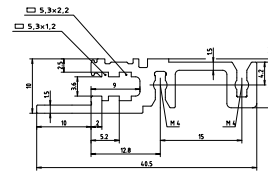


Front profiles for high mechanical loads and ejector handle acc. to IEC 60297-3-102 / IEEE 1101.10, natural-coloured anodised aluminium, conductive contact surfaces, 2-hole fixing

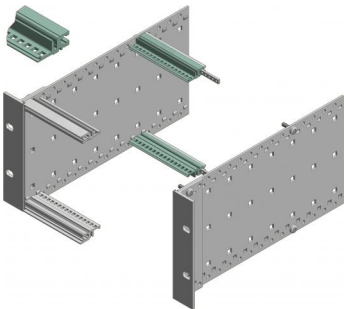
Model	Order no.	HP
PF/M 00042-BN-HG	86542340	42
PF/M 00063-BN-HG	86563340	63
PF/M 00084-BN-HG	86584340	84

Scope Of Delivery: 1 profile

Notes: Please order the EMC spring separately.



Z-2901834

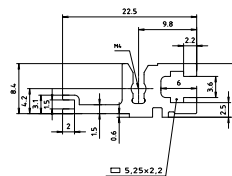


Bus profiles, natural-coloured anodised aluminium, for indirect backplane fixing

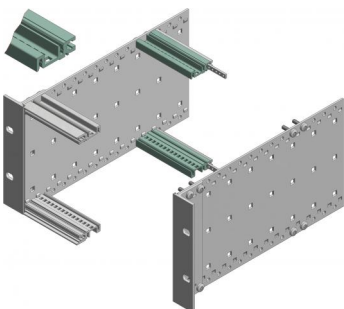
Model	Order no.	HP
PB/M 00042	86542410	42
PB/M 00063	86563410	63
PB/M 00084	86584410	84

Scope Of Delivery: 1 profile

Notes: Please order the insulating strip and EMC spring separately.



Z-2901835

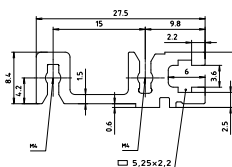


Bus profiles for high mechanical loads, natural-coloured anodised aluminium, conductive contact surfaces, 2-hole fixing, for indirect backplane fixing

Model	Order no.	HP
PB/M 00042-BN	86542420	42
PB/M 00063-BN	86563420	63
PB/M 00084-BN	86584420	84

Scope Of Delivery: 1 profile

Notes: Please order the insulating strip and EMC spring separately.



Z-2901836

Internorm Stil

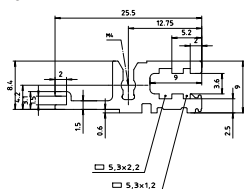
Profiles

Bus profiles, natural-coloured anodised aluminium, conductive contact surfaces, for backplane mounting with an integrated insulating strip clearance

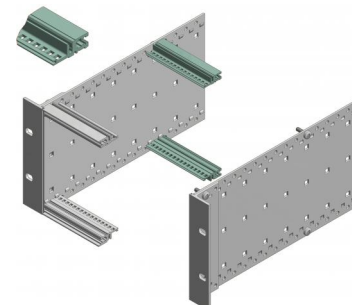
Model	Order no.	HP
PBIS/M 00042	86542430	42
PBIS/M 00063	86563430	63
PBIS/M 00084	86584430	84

Scope Of Delivery: 1 profile

Notes: Please order the EMC spring separately.



Z-2901837

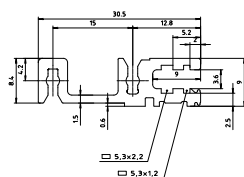


Bus profiles with an integrated insulating strip clearance for high mechanical loads, natural-coloured anodised aluminium, conductive contact surfaces, 2-hole fixing, for direct backplane fixing

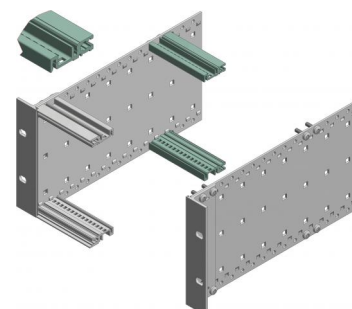
Model	Order no.	HP
PBIS/M 00042-BN	86542440	42
PBIS/M 00063-BN	86563440	63
PBIS/M 00084-BN	86584440	84

Scope Of Delivery: 1 profile

Notes: Please order the EMC spring separately.



Z-2901838

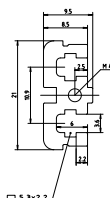


Double bus profiles, natural-coloured anodised aluminium, conductive contact surfaces, for bus PCB fixing

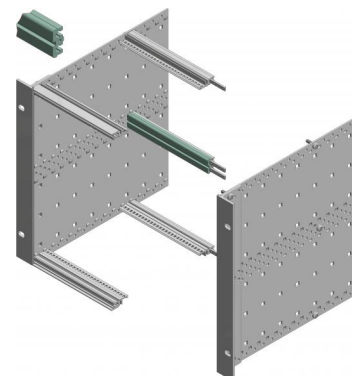
Model	Order no.	HP
PBD/M 00642	86542450	42
PBD/M 00663	86563450	63
PBD/M 00684	86584450	84

Scope Of Delivery: 1 profile

Notes: Please order the insulating strip and EMC spring separately.

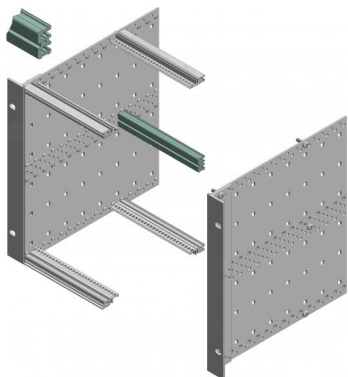


Z-2901841



Internorm Stil

Profiles

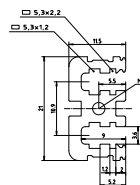


Double bus profiles with an integrated insulating strip clearance, natural-coloured anodised aluminium, conductive contact surfaces, for direct backplane fixing

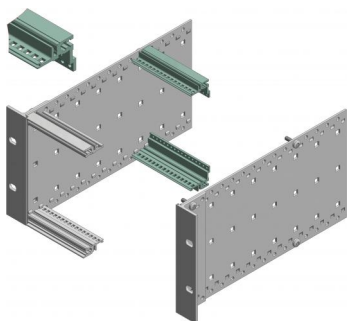
Model	Order no.	HP
PBDIS/M 00642	86542460	42
PBDIS/M 00663	86563460	63
PBDIS/M 00684	86584460	84

Scope Of Delivery: 1 profile

Notes: Please order the EMC spring separately.



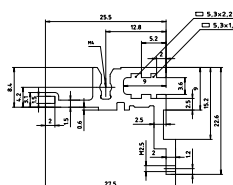
Z-290184.2



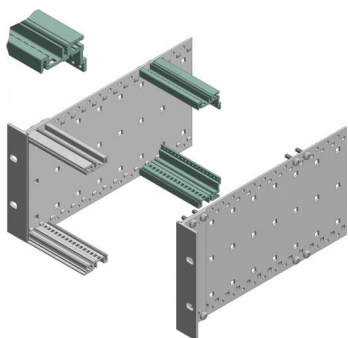
Rear profiles, natural-coloured anodised aluminium, conductive contact surfaces, for connectors acc. to DIN EN 60603-2 (formerly DIN 41612)

Model	Order no.	HP
PR/M 00042.12	86542510	42
PR/M 00063.12	86563510	63
PR/M 00084.12	86584510	84

Scope Of Delivery: 1 profile



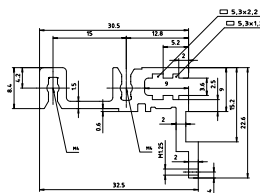
Z-290183.9



Rear profiles for high mechanical loads, natural-coloured anodised aluminium, conductive contact surfaces, 2-hole fixing, for connectors acc. to DIN EN 60603-2 (formerly DIN 41612)

Model	Order no.	HP
PR/M 00042.12-BN	86542520	42
PR/M 00063.12-BN	86563520	63
PR/M 00084.12-BN	86584520	84

Scope Of Delivery: 1 profile



Z-290184.0

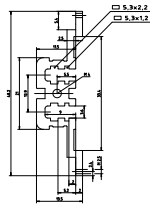
Internorm Stil

Profiles

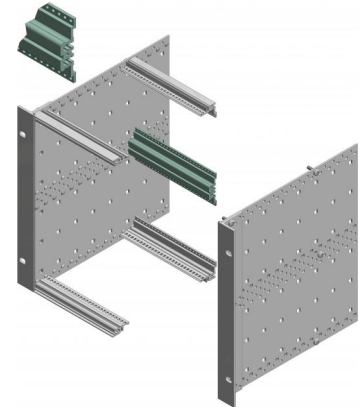
Double connector profiles, natural-coloured anodised aluminium, conductive contact surfaces, for connectors acc. to DIN EN 60603-2 (formerly DIN 41612)

Model	Order no.	HP
PSD/M 00642.12	86542610	42
PSD/M 00663.12	86563610	63
PSD/M 00684.12	86584610	84

Scope Of Delivery: 1 profile



Z-290184.3

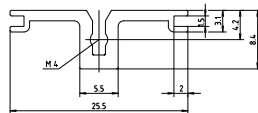


Snap profiles, natural-coloured anodised aluminium, conductive contact surfaces, for combined mounting and rear fitting of 80 mm Compact PCI units

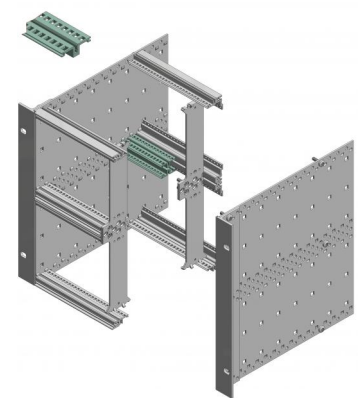
Model	Order no.	HP	Note
RP/M 00042	86542710	42	
RP/M 00063	86563710	63	63 HP
RP/M 00084	86584710	84	

Scope Of Delivery: 1 profile

Notes: RP/M 00084 with notch.



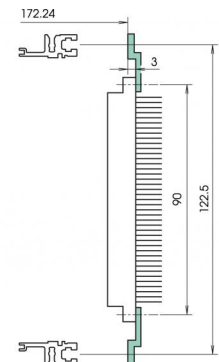
Z-290184.4



Z-rails, natural-coloured anodised aluminium, for connectors acc. to DIN EN 60603-2 (formerly DIN 41612)

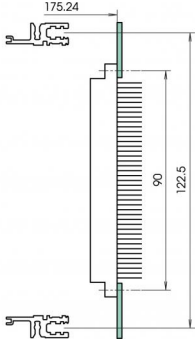
Model	Order no.	b1	HP
ZS/M 00040	86540210	203.2	40
ZS/M 00060	86560210	304.8	60
ZS/M 00084	86584210	426.7	84

Scope Of Delivery: 1 Z-rail



Internorm Stil

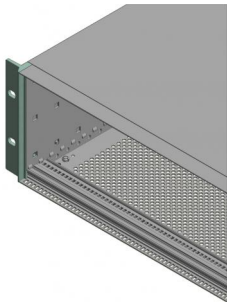
Profiles



Perforated rails, passivated aluminium, for connectors acc. to DIN EN 60603-2 (formerly DIN 41612)

Model	Order no.	b1	HP	Note
LS/M 00040	86540220	203.2	40	40 HP
LS/M 00060	86560220	304.8	60	60 HP
LS/M 00084	86584220	426.7	84	84 HP

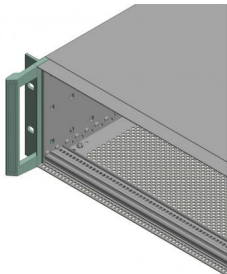
Scope Of Delivery: 1 perforated rail



19" flange, aluminium, anthracite grey, powder-coated, screwable in place of the cover strips

Model	Order no.	U	Note
FL/INS 00300	86052003	3	For INS ..3..
FL/INS 00300-L	86052004	3	For INS ..3.. -L
FL/INS 00600	86052006	6	For INS ..6..
FL/INS 00600-L	86052007	6	For INS ..6.. -L

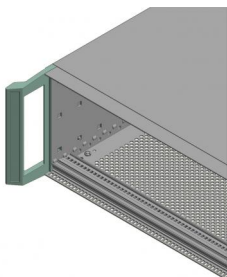
Scope Of Delivery: 2 flanges



Flange with handle, aluminium, anthracite grey, powder-coated, screwable in place of the cover strips

Model	Order no.	U	Note
FLG/INS 00300	86051303	3	For INS ..3..
FLG/INS 00300-L	86051304	3	For INS ..3.. -L
FLG/INS 00600	86051306	6	For INS ..6..
FLG/INS 00600-L	86051307	6	For INS ..6.. -L

Scope Of Delivery: 2 handles



Front handles, aluminium, anthracite grey, powder-coated, screwable in place of the cover strips

Model	Order no.	U	Note
FGR/INS 00300	86051003	3	For INS ..3..
FGR/INS 00300-L	86051004	3	For INS ..3.. -L
FGR/INS 00600	86051006	6	For INS ..6..
FGR/INS 00600-L	86051007	6	For INS ..6.. -L

Scope Of Delivery: 2 handles

Internorm Stil

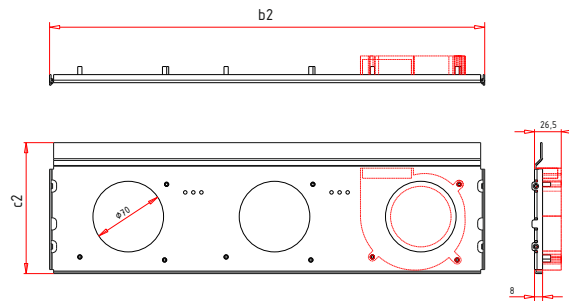
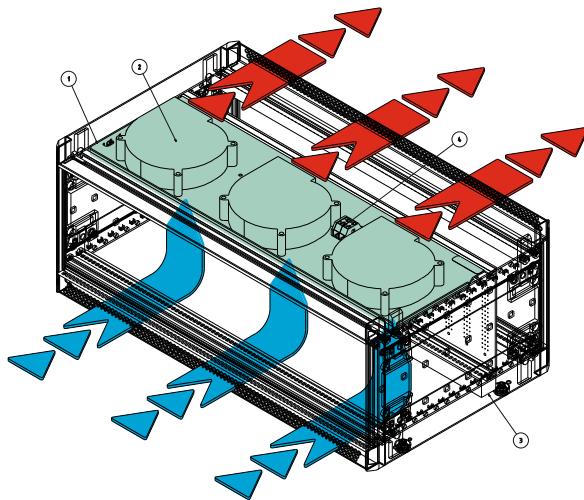
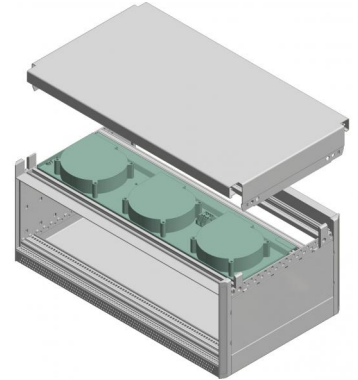
Accessories

Ventilation elements

Model	Order no.	b2	c2	HP	Card depth	Note
RLE/INS-L 16084	86057841*	431.35	129.8	84	160	For INS ... 80-L
RLE/INS-L 22084	86057842*	431.35	189.9	84	220	For INS ... 80-L

Scope Of Delivery: 1) 1 fan support 2) 3 radial fans 3) 1 partition 4) 1 connection terminal 5) fixing material (not shown)

Notes: Additional sizes on request.



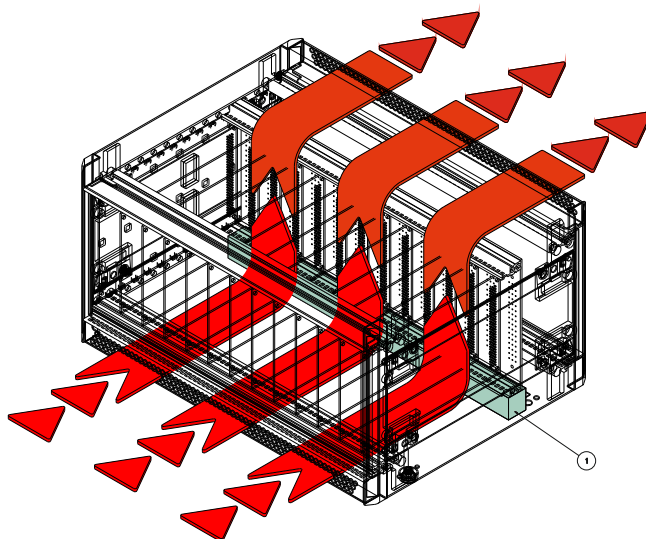
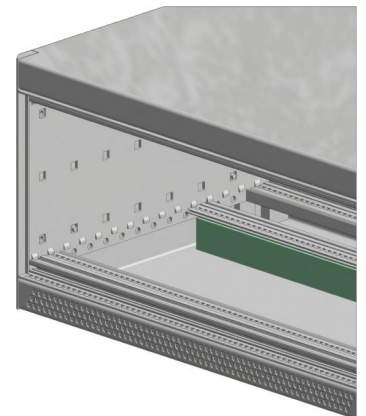
2-2904371

Partition, self-adhesive PE foam for sealing between rear profile and baseplate

Model	Order no.	HP	Note
RA/INS 00042	86055042	42	For INS ... 40-L
RA/INS 00063	86055063	63	For INS ... 60-L
RA/INS 00084	86055084	84	For INS ... 80-L

Scope Of Delivery: 1 partition

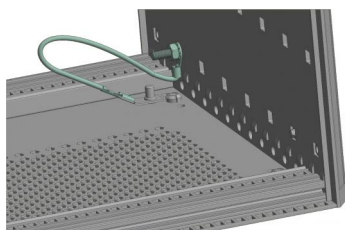
Notes: Temperature range -20°C to +120°C. Only suitable for INS with ventilation.



2-2904376

Internorm Stil

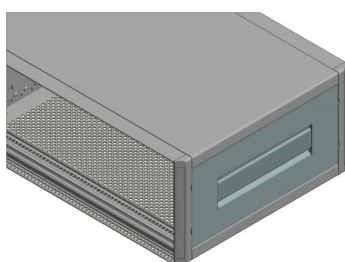
Accessories



Earthing set for earthing connection of the enclosure parts, 1.5 mm Cu lead, PVC sheathing

Model	Order no.
ES/INS	86056000

Scope Of Delivery: 1 lead, incl. mounting material

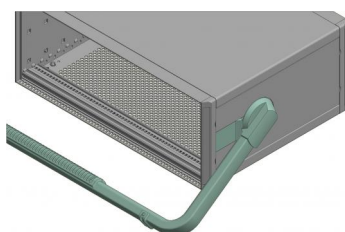


Strap handles made of plastic-coated spring steel, anthracite grey, incl. lateral trim

Model	Order no.	U	Note
FBGR/INS 24300	86051324	3	For INS 243..
FBGR/INS 30300	86051330	3	For INS 303..
FBGR/INS 36300	86051336	3	For INS 363..
FBGR/INS 42300	86051342	3	For INS 423..
FBGR/INS 48300	86051348	3	For INS 483..

Scope Of Delivery: 1 handle (steel spring, plastic-coated (soft plastic), anthracite grey, similar to RAL 7016) 1 lateral trim (aluminium, white chromated, powder-coated visible surfaces, white aluminium, similar to RAL 9006) 1 protective foil (polyester, white aluminium, similar to RAL 9006) 2 adapters (diecast aluminium) 1 set of fixing material

Notes: No mechanical processing required when retrofitted to INS enclosures (3 U). Max. supporting load approx. 20 kg.

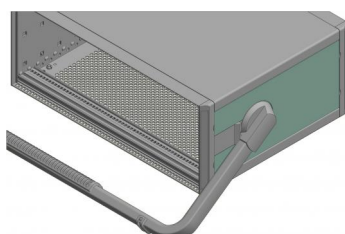


Tip-up handle for INS, 3 U, adjustable and snap-in, anthracite grey/white aluminium, powder-coated (can only be fitted in connection with SBT/INS)

Model	Order no.	U	Note
AGR/INS 00342	86051142	3	For INS ..340
AGR/INS 00363	86051163	3	For INS ..360
AGR/INS 00384	86051184	3	For INS ..380

Scope Of Delivery: 1 carrying bar (aluminium profile, powder-coated, white aluminium, similar to RAL 9006) 1 handle shell (ABS, UL 94 V-0, anthracite grey, similar to RAL 7016) 2 tip-up protection units (ABS, UL 94 V-0, anthracite grey, similar to RAL 7016) 2 snap-on elements (diecast aluminium) 2 caps (ABS, UL 94 V-0, anthracite grey, similar to RAL 7016) 1 set of fixing material

Notes: Can be retrofitted without mechanical processing. The handle is adjustable in 30° detent stages. Max. supporting load approx. 30 kg.



Lateral trims for AGR tip-up handle

Model	Order no.	U	Note
SBT/INS 24300	86059243	3	For INS 243..
SBT/INS 30300	86059303	3	For INS 303..
SBT/INS 36300	86059363	3	For INS 363..
SBT/INS 42300	86059423	3	For INS 423..
SBT/INS 48300	86059483	3	For INS 483..

Scope Of Delivery: 2 lateral trims (aluminium sheet, powder-coated, white aluminium, similar to RAL 9006), 2 bow handle adapters (diecast aluminium, powder-coated, anthracite grey, similar to RAL 7016), 1 set of fixing material

Notes: For use with AGR/INS.

Internorm Stil

Accessories

Tip-up feet, collapsible, plastic, UL 94 V0, anthracite grey, non-slip

Model	Order no.	Note
AF1/INS	86050000	Tip-up feet

Scope Of Delivery: 4 feet (PA UL 94 V-0), 4 anti-slip protection elements (TPE), 2 tip-ups (PA UL 94 V-0), 1 set of fixing material

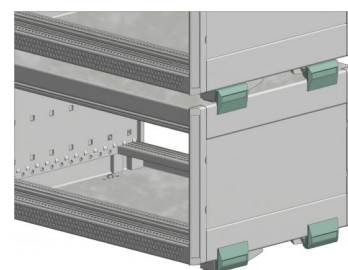
Notes: For use instead of the standard feet. Max. supporting load 25 kg for each foot; max. enclosure weight 50 kg.



Plug-in stack adapter, anthracite grey (only for use with the AF1/INS tip-up foot)

Model	Order no.
STA1/INS	86050010

Scope Of Delivery: 4 stacking adapters



Internorm Stil

Screws

Fixing screws for additionally fitted profiles



Model	Order no.	Note
BFS/INS 0100	86050100	SHR Z M 4x14-SO, toothed, countersink cone, galvanised steel, torx 20

Scope Of Delivery: 20 screws

Shorter fitting screws for profiles (if a card guide is screwed to slot 1)



Model	Order no.	Note
BFS/INS 0200	86050200	SHR Z M 4x10-SO, toothed, countersink cone, galvanised steel, torx 20

Scope Of Delivery: 20 screws

Fitting screws for cover plates and mounting panels



Model	Order no.	Note
BFS/INS 0300	86050300	SHR S M 4x8-SO, anodised steel, torx 20

Scope Of Delivery: 20 screws

Internorm Stil

Screws

Interzoll Modul mounting material

Model	Order no.	Note
BFS/M 0300	86000030	SHR Z M 2.5x7, galvanised steel, torx 8, for ZS/M
BFS/M 0400	86000040	SHR Z M 2.5x10, galvanised steel, torx 8, for LS/M
BFS/M 0200	86000020	SHR Z KT 2.5x9.3, galvanised steel, torx 8, for FLS/M, KF/M...
BFS/M 0500	86000050	SHR Z M 4x6-SO, toothed, anodised steel, torx 20, MP/M, RW/M
BFS/M 0600	86000060	MU M 4-4KT-SO, galvanised steel, for VB/M, TL/M, TLB/M, MP/M, RAP/M
BFS/M 1600	86000160	Collar screws, SHR Z M 2.5x12.3x6.5-SP, nickel-plated steel, for front panels
BFS/M 1900	86000190	SHR Z M 2.5 x 8, anodised steel, cross-head, for FX/M, LKH/M 03
BFS/M 0700	86000070	SHR S M 5x12, galvanised steel, recessed screw head, for GR/M
BFS/M 1700	86000170	Collar screws, SHR Z M 2.5x12.3x6.5-SP, nickel-plated steel, for front panels, torx 8
BFS/M 2000	86000200	MU M 2.5-6KT, galvanised steel, for LKH/M 02
BFS/M 0800	86000080	SHR S M 4x5, galvanised steel, torx 20, for TL/M, TLB/M
BFS/M 2100	86000210	SHR S M 2.5x8, galvanised steel, cross-head, for ST/M (-EMV), LKH/M 02, 03
BFS/M 2200	86000220	Knurled screw without slot, SHR R M 2.5x12.3x6.5-SPx18.3, nickel-plated steel
BFS/M 0900	86000090	SHR S M 4x14-SO, toothed, torx 20, anodised steel, for TST/M
BFS/M 2600	86000260	SHR Z M 2.5x16, galvanised steel, recessed screw head, for LKH/M 02, 03
BFS/M 2700	86000270	Knurled screw without slot, SHR R M 2.5x12.3x6.5-SPx25.3, anodised steel, for PF/M with long lip
BFS/M 1000	86000100	SHR Z M 2.5x12, galvanised steel, slotted, for LKH/M 02, 03
BFS/M 1200	86000120	SHB FED 2.6, anodised steel, for LKH/M 03
BFS/M 1500	86000150	SHR Z M 4x6-SO countersink cone, galvanised steel, torx 20, for VB/M, RAP/M
BFS/M 1800	86000180	MU M 2.5-4KT, galvanised steel, for FX/M
BFS/M 2400	86000240	SHR S KT 2.5x7.3, galvanised steel, torx 8, for KF/M 000-K-4.4"
BFS/M 2500	86000250	SHR Z KT 2.7x7.3, galvanised steel, torx 8, for KF/M 160-V-A
BFS/M2800	86000280	SHR Z M4x6-F-SO, toothed, torx 20, for ADGA/M
BFS/M2900	86000290	SHR Z KT 2.5x10, galvanised steel, torx 8, for TST/M

Scope Of Delivery: 20 pieces

BFS/M



Internorm Stil

Front panel

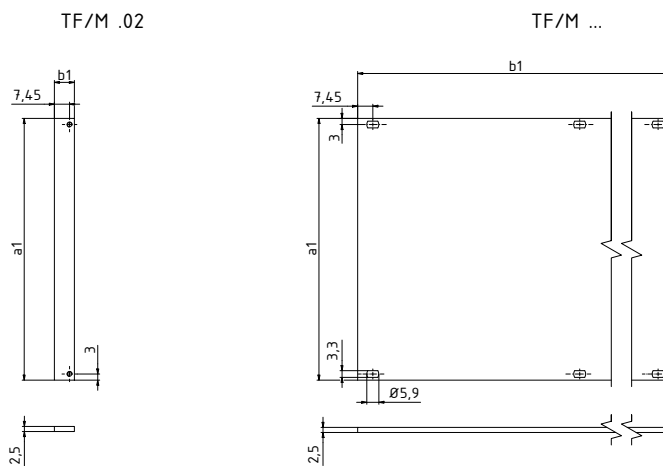


Part front panels, natural-coloured anodised aluminium, passivated on rear

Model	Order no.	a1	b1	U	HP
TF/M 242	86842023	84.05	213.01	2	42
TF/M 263	86863023	84.05	319.69	2	63
TF/M 284	86884023	84.05	426.37	2	84
TF/M 302	86802033	128.5	9.81	3	2
TF/M 303	86803033	128.5	14.89	3	3
TF/M 304	86804033	128.5	19.97	3	4
TF/M 306	86806033	128.5	30.13	3	6
TF/M 307	86807033	128.5	35.21	3	7
TF/M 308	86808033	128.5	40.29	3	8
TF/M 310	86810033	128.5	50.45	3	10
TF/M 312	86812033	128.5	60.61	3	12
TF/M 314	86814033	128.5	70.77	3	14
TF/M 318	86818033	128.5	91.09	3	18
TF/M 319	86819033	128.5	96.17	3	19
TF/M 320	86820033	128.5	101.25	3	20
TF/M 321	86821033	128.5	106.33	3	21
TF/M 328	86828033	128.5	141.97	3	28
TF/M 340	86840033	128.5	202.85	3	40
TF/M 342	86842033	128.5	213.01	3	42
TF/M 363	86863033	128.5	319.69	3	63
TF/M 384	86884033	128.5	426.37	3	84
TF/M 484	86884043	172.95	426.37	4	84
TF/M 604	86804063	261.85	19.97	6	4
TF/M 605	86805063	261.85	25.05	6	5
TF/M 608	86808063	261.85	40.29	6	8
TF/M 628	86828063	261.85	141.89	6	28
TF/M 642	86842063	261.85	213.01	6	42
TF/M 684	86884063	261.85	426.37	6	84

Scope Of Delivery: 1 part front panel

Notes: Special sizes on request. Screw holders and collar screws as accessories.



Z-2904355

Internorm Stil

Front panel

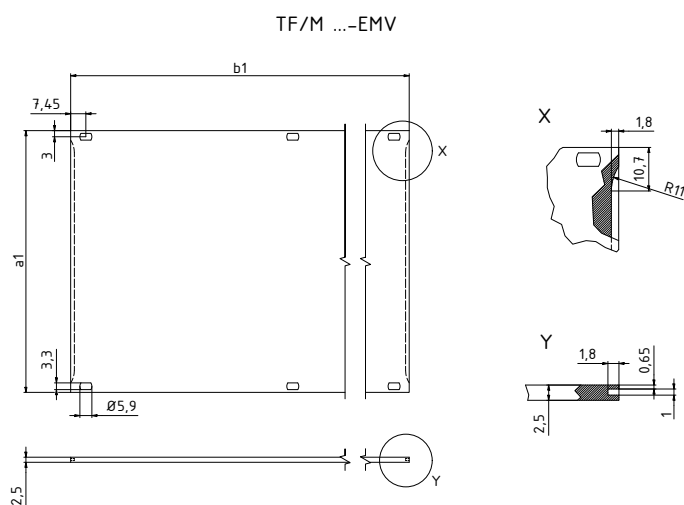
Part front panels, EMC, front natural-coloured anodised aluminium, passivated on rear with slot for EMC spring and pressed-in alignment pins



Model	Order no.	a1	b1	U	HP
TF/M 304-EMV	86804034	128.5	19.97	3	4
TF/M 308-EMV	86808034	128.5	40.29	3	8
TF/M 310-EMV	86810034	128.5	50.45	3	10
TF/M 314-EMV	86814034	128.5	70.77	3	14
TF/M 320-EMV	86820034	128.5	101.25	3	20
TF/M 321-EMV	86821034	128.5	106.33	3	21
TF/M 340-EMV	86840034	128.5	202.85	3	40
TF/M 342-EMV	86842034	128.5	213.01	3	42
TF/M 363-EMV	86863034	128.5	319.69	3	63
TF/M 384-EMV	86884034	128.5	426.37	3	84
TF/M 604-EMV	86804064	261.85	19.97	6	4
TF/M 608-EMV	86808064	261.85	40.29	6	8
TF/M 612-EMV	86812064	261.85	60.61	6	12
TF/M 684-EMV	86884064	261.85	426.37	6	84

Scope Of Delivery: 1 part front panel

Notes: Additional sizes on request. For mounting material and EMC springs, see Interzoll Modul accessories.



Z-2904.370

Internorm Stil

Front panel

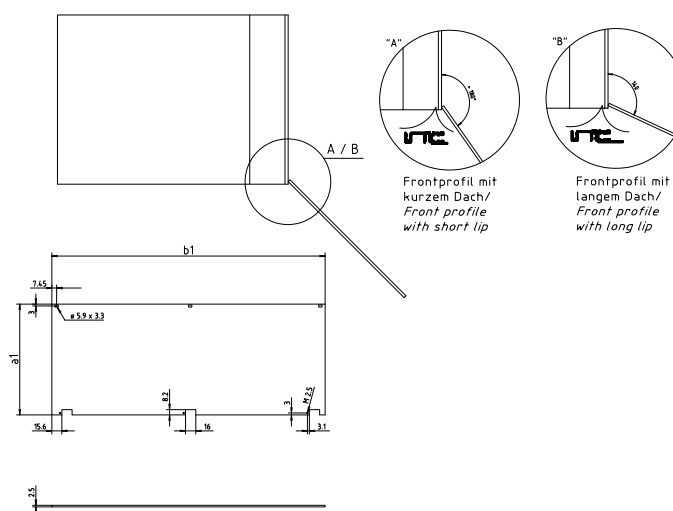


Front panels, 3 / 6 U, collapsible, front natural-coloured anodised aluminium, passivated on rear

Model	Order no.	a1	b1	U	HP
TF/M 342-K	86842038	128.5	213.01	3	42
TF/M 363-K	86863038	128.5	319.69	3	63
TF/M 384-K	86884038	128.5	426.37	3	84
TF/M 642-K	86842068	261.85	213.01	6	42
TF/M 663-K	86863068	261.85	319.69	6	63
TF/M 684-K	86884068	261.85	426.37	6	84

Scope Of Delivery: 1 front panel, 1 hinge set, 3 metal screw holders, 3 knurled screws BFS/M 2200, mounting material

Notes: The usable width is not restricted. Can be unhooked at 135° except for Internorm Stil. One tapped strip above and below is required for each fixing.



Z-2901867

Internorm Stil

Front panel

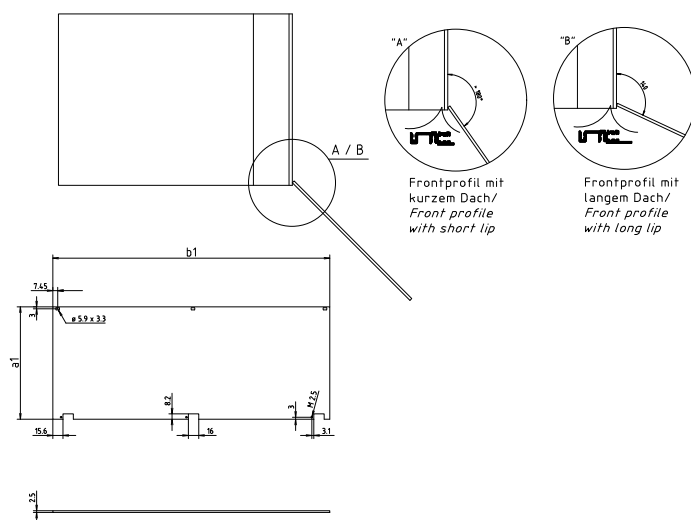
Front panels, EMC, 3 / 6 U, collapsible, front natural-coloured anodised aluminium, passivated on rear

Model	Order no.	a1	b1	U	HP
TF/M 342-EMV-K	86842037	128.5	213.01	3	42
TF/M 363-EMV-K	86863037	128.5	319.69	3	63
TF/M 384-EMV-K	86884037	128.5	426.37	3	84
TF/M 642-EMV-K	86842067	261.85	213.01	6	42
TF/M 684-EMV-K	86884067	261.85	426.37	6	84



Scope Of Delivery: 1 front panel, 1 hinge set, 3 metal screw holders, 3 knurled screws M2.5x12.3, EMC textile seal, mounting material

Notes: Shielded, part front panels with slits for EMC springs (can also be used without EMC springs). The usable width is not restricted. Can be removed at 135°, except for Internorm Stil. 1 tapped strip is required in each case for fixing up and down.



Z-2901867

Internorm Stil

Front panel



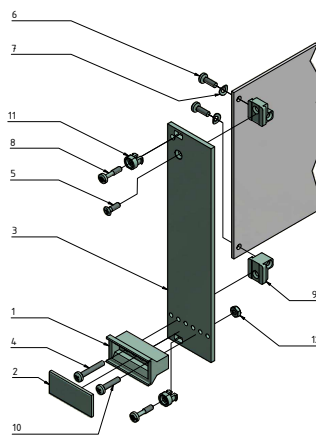
Plug-in front panels, front natural-coloured anodised aluminium, passivated on rear, incl. handles, plastic, UL 94 V 0, light grey

Model	Order no.	a1	b1	U	HP
ST/M 303	86803037	128.5	14.89	3	3
ST/M 304	86804037	128.5	19.97	3	4
ST/M 305	86805037	128.5	25.05	3	5
ST/M 306	86806037	128.5	30.13	3	6
ST/M 308	86808037	128.5	40.29	3	8
ST/M 309	86809037	128.5	45.37	3	9
ST/M 310	86810037	128.5	50.45	3	10
ST/M 312	86812037	128.5	60.61	3	12
ST/M 318	86818037	128.5	91.09	3	18
ST/M 321	86821037	128.5	106.33	3	21

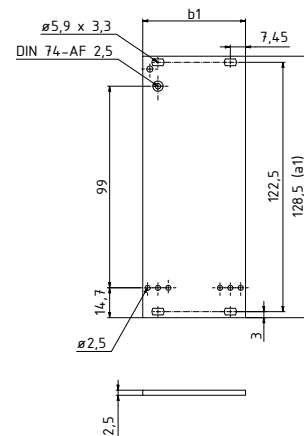
Scope Of Delivery: 1) 1 handle, trapezoidal shape (PPO-UL94 V-0) 2) 1 identification plate (aluminium 1.5 mm, anodised) 3) 1 front panel (aluminium 2.5 mm, front anodised, rear yellow chromated) 4) 1 cylinder head screw (SHR Z M 2.5x16) 5) 1 panhead screw (SHR S M 2.5x8) 6) 2 cylinder head screws (SHR Z M 2.5x8) 7) 2 spring discs (A 2.6) 8) up to 7 HP: 2 collar screws with recessed screw head (M 2.5x12.3, for plug-in front panels) 8) 8 HP and higher: 4 collar screws with recessed screw (M 2.5x12.3, for plug-in front panels) 9) 2 circuit board holders (ZN diecast, 2 threads M 2.5) 10) 1 cylinder head screw (SHR Z M 2.5x12) 11) up to 7 HP: 2 plastic screw holders (PA6, grey, unscreened, for plug-in front panels) 11) 8 HP and higher: 4 plastic screw holders (grey, unscreened, for plug-in front panels) 12) 1 hexagon nut (M 2.5 for version with metal circuit board holder)

Notes: Additional sizes on request.

ST/M 3..



Z-2904356



Internorm Stil

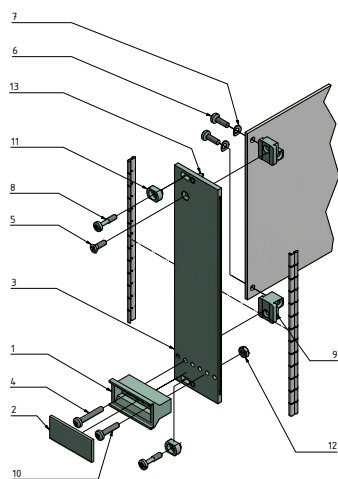
Front panel

Plug-in front panels, EMC, front natural-coloured anodised aluminium, passivated on rear with slot for EMC spring and pressed-in alignment pin

Model	Order no.	a1	b1	U	HP
ST/M 303-EMV	86803038	128.5	14.89	3	3
ST/M 304-EMV	86804038	128.5	19.97	3	4
ST/M 305-EMV	86805038	128.5	25.05	3	5
ST/M 306-EMV	86806038	128.5	30.13	3	6
ST/M 308-EMV	86808038	128.5	40.29	3	8
ST/M 309-EMV	86809038	128.5	45.37	3	9
ST/M 310-EMV	86810038	128.5	50.45	3	10
ST/M 312-EMV	86812038	128.5	60.61	3	12
ST/M 318-EMV	86818038	128.5	91.09	3	18
ST/M 321-EMV	86821038	128.5	106.33	3	21

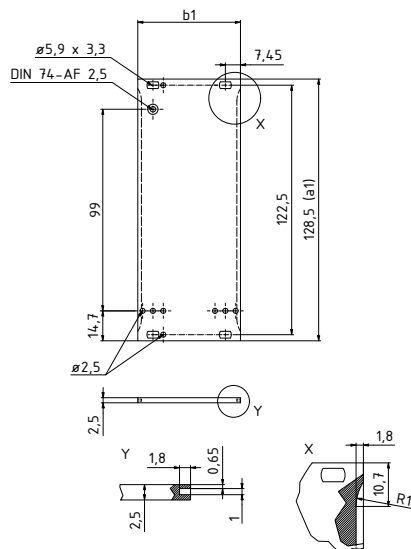
Scope Of Delivery: 1) 1 handle, trapezoidal shape (PPO-UL94 V-0) 2) 1 identification plate (aluminium 1.5 mm, anodised) 3) 1 front panel (aluminium 2.5 mm, front anodised, rear yellow chromated) 4) 1 cylinder head screw (SHR Z M 2.5x16) 5) 1 panhead screw (SHR S M 2.5x8) 6) 2 cylinder head screws (SHR Z M 2.5x8) 7) 2 spring discs (A 2.6) 8) up to 7 HP: 2 collar screws with recessed screw head (M 2.5x12.3, for plug-in front panels) 8) 8 HP and higher: 4 collar screws with recessed screw (M 2.5x12.3, for plug-in front panels) 9) 2 circuit board holders (ZN diecast, 2 threads M 2.5) 10) 1 cylinder head screw (SHR Z M 2.5x12) 11) up to 7 HP: 2 metal screw holders (stainless steel, for plug-in front panels with slit) 11) 8 HP and higher: 4 metal screw holders (stainless steel, for plug-in front panels with slit) 12) 1 hexagon nut (M 2.5 for version with metal circuit board holder) 13) 2 pressed-in alignment pins (stainless steel)

Notes: Additional sizes on request. EMC springs FP/M as Interzoll Modul accessories.



Z-2904.371

ST/M 3...-EMV



Internorm Stil

Front panel

LKH/M 02



LKH/M 03

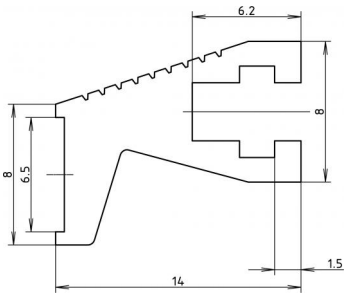


- BFS/M 1000
- BFS/M 1200
- BFS/M 1900
- BFS/M 2000
- BFS/M 2100
- BFS/M 2600

Leiterkartenhalter und Befestigungsmaterial

Model	Order no.	Note
LKH/M 02	86080020	With 4 through holes for fixing front panels and circuit boards
LKH/M 03	86080030	With 2 M 2.5 threads for fixing of front panels and circuit boards
BFS/M 0100	86000010	SHR Z M 4x14-S0, toothed, galvanised steel, torx 20, for all Interzoll Modul profiles
BFS/M 0200	86000020	SHR Z KT 2.5x9.3, galvanised steel, torx 8, for FLS/M, KF/M...
BFS/M 1900	86000190	SHR Z M 2.5 x 8, anodised steel, cross-head, for FX/M, LKH/M 03
BFS/M 2000	86000200	MU M 2.5-6KT, galvanised steel, for LKH/M 02
BFS/M 2100	86000210	SHR S M 2.5x8, galvanised steel, cross-head, for ST/M (-EMV), LKH/M 02, 03
BFS/M 2600	86000260	SHR Z M 2.5x16, galvanised steel, recessed screw head, for LKH/M 02, 03

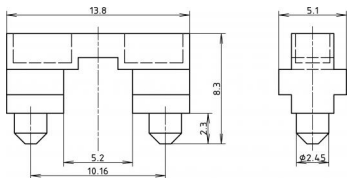
Scope Of Delivery: LKH/M: 10 Stück BFS/M: 20 Stück



Handle profile, natural-coloured anodised aluminium, metre profile

Model	Order no.
GRL/M 1000-AL	86081740

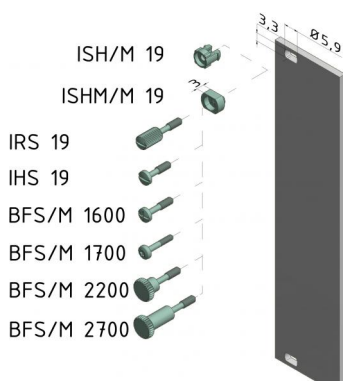
Scope Of Delivery: 1m handle profile



Fixing piece, plastic, black, for fixing the handle profile GRL to the front panel

Model	Order no.
FX/M	86081750

Scope Of Delivery: 20 fixing pieces



Mounting material for part front panels and plug-in units

Model	Order no.	Note
ISH/M 19	86080510	Plastic screwholder, PA 6, grey
ISHM/M 19	86080500	Metal screw holder, stainless steel (1.4305), for conductive contacting for riveting to the front panel
IRS 19	54700420	Slotted knurled screw, collar screws SHR R M2.5x11.3x6.3-SP
IHS 19	54700410	Collar screws SHR Z M2.5x11.3x6.3-SP, slotted-head screw
BFS/M 1600	86000160	Collar screws, SHR Z M 2.5x12.3x6.5-SP, nickel-plated steel, for front panels
BFS/M 1700	86000170	Collar screws, SHR Z M 2.5x12.3x6.5-SP, nickel-plated steel, for front panels, torx 8
BFS/M 2200	86000220	Knurled screw without slot, SHR R M 2.5x12.3x6.5-SPx18.3, nickel-plated steel
BFS/M 2700	86000270	Knurled screw without slot, SHR R M 2.5x12.3x6.5-SPx25.3, anodised steel, for PF/M with long lip

Scope Of Delivery: ISH 19 / IRS 19 = 10 pieces, otherwise 20 pieces

Internorm Stil

Frame-type plug-in units

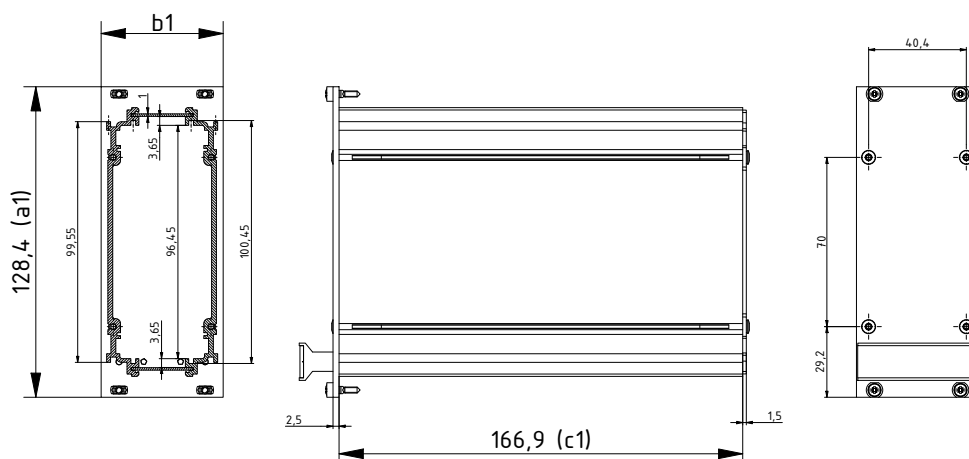
Interzoll PRO frame-type plug-in units, 3 U, natural-coloured anodised aluminium front panel, colourless passivated aluminium side profiles, galvanised steel cover plates, plain, galvanised steel rear panel with one slot, 3 U



Model	Order no.	a1	b1	c1	U	HP
IZK/M 16308-RW1-P	85808311	128.4	40.3	166.9	3	8
IZK/M 16310-RW1-P	85810311	128.4	50.46	166.9	3	10
IZK/M 16312-RW1-P	85812311	128.4	60.62	166.9	3	12
IZK/M 16314-RW1-P	85814311	128.4	70.78	166.9	3	14
IZK/M 16321-RW1-P	85821311	128.4	106.34	166.9	3	21
IZK/M 16328-RW1-P	85828311	128.4	141.9	166.9	3	28
IZK/M 16342-RW1-P	85842311	128.4	213.02	166.9	3	42

Scope Of Delivery: 1 front panel with handle, 2 side panels, 2 top covers, 1 rear panel, mounting material

Notes: Additional versions, 6 U, EMC or with hood on request.



Z-2904357

Cover plates, perforated, 1mm, galvanised sheet steel, for frame-type plug-in units, 3 U

Model	Order no.	c1	HP
IZK/M 16008-ADL-P	86090812	167	8
IZK/M 16010-ADL-P	86091012	167	10
IZK/M 16012-ADL-P	86091212	167	12
IZK/M 16014-ADL-P	86091412	167	14
IZK/M 16021-ADL-P	86092112	167	21
IZK/M 16028-ADL-P	86092812	167	28
IZK/M 16042-ADL-P	86094212	167	42

Scope Of Delivery: 1 cover plate

Notes: c1 = Abdeckblechtiefe



Internorm Stil

Frame-type plug-in units



Cover plates, perforated, 1mm, galvanised sheet steel, for PRO frame-type plug-in units, 3 U, to accommodate card guides

Model	Order no.	c1	HP
IZK/M 16008-ADL-KF-P	86090813	167	8
IZK/M 16010-ADL-KF-P	86091013	167	10
IZK/M 16012-ADL-KF-P	86091213	167	12
IZK/M 16014-ADL-KF-P	86091413	167	14
IZK/M 16021-ADL-KF-P	86092113	167	21
IZK/M 16028-ADL-KF-P	86092813	167	28
IZK/M 16042-ADL-KF-P	86094213	167	42

Scope Of Delivery: 1 cover plate

Notes: c1 = Abdeckblechtiefe



Card guides for cover plates IZK/M-ADL-KF, plastic, UL 94 V0, red

Model	Order no.	Card depth
IZK/M KF-160-P	86216030	160

Scope Of Delivery: 10 card guides



Rear panel open, galvanised sheet steel, for IZK/M frame-type plug-in units

Model	Order no.	HP
IZK/M 00308-RWO-P	86090833	8
IZK/M 00310-RWO-P	86091033	10
IZK/M 00312-RWO-P	86091233	12
IZK/M 00314-RWO-P	86091433	14
IZK/M 00321-RWO-P	86092133	21
IZK/M 00328-RWO-P	86092833	28
IZK/M 00342-RWO-P	86094233	42

Scope Of Delivery: 1 rear panel

 LKH/M 09-P

 RWH/M 01-P

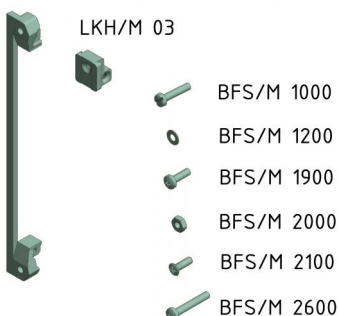
 LKH/M 10-P

PCB and rear panel holder

Model	Order no.
LKH/M 09-P	86080090
LKH/M 10-P	86080110
RWH/M 01-P	86080120

Scope Of Delivery: LKH/M 10-P = 10 pieces (5 pairs right / left) RWH/M 01-P = 10 pieces

LKH/M 02



Leiterkartenhalter und Befestigungsmaterial

Model	Order no.	Note
LKH/M 02	86080020	With 4 through holes for fixing front panels and circuit boards
LKH/M 03	86080030	With 2 M 2.5 threads for fixing of front panels and circuit boards
BFS/M 0100	86000010	SHR Z M 4x14-SO, toothed, galvanised steel, torx 20, for all Interzoll Modul profiles
BFS/M 0200	86000020	SHR Z KT 2.5x9.3, galvanised steel, torx 8, for FLS/M, KF/M...
BFS/M 1900	86000190	SHR Z M 2.5 x 8, anodised steel, cross-head, for FX/M, LKH/M 03
BFS/M 2000	86000200	MU M 2.5-6KT, galvanised steel, for LKH/M 02
BFS/M 2100	86000210	SHR S M 2.5x8, galvanised steel, cross-head, for ST/M (-EMV), LKH/M 02, 03
BFS/M 2600	86000260	SHR Z M 2.5x16, galvanised steel, recessed screw head, for LKH/M 02, 03

Scope Of Delivery: LKH/M: 10 Stück BFS/M: 20 Stück

* = Available on request



BOPLA

A Phoenix Mecano Company