

NEW
2.0 version



- + Load range from 20 to 60 kg
- + For making the workplace ergonomic
- + Can be combined on the machine side with the GTL suspension system
- + Can be combined on the operator side with GTN II / GT 48/2 / GTS
- + Freely positionable version
- + Adjustable binding
- + High torsional stiffness
- + Continuous potential equalisation
- + Stroke limitation every 5°

Included in delivery

Height adjustment incl. fixing material (assembly components for a connection to the machine and to the control enclosure are not included).

Technical data

Material	Connecting plates: S235 Components: EN 1706 AC-46000DF Cable channel cover sheet: EN 573-3 AW-5754 H22
Painting	Powder coating
Colour	Connecting plates: RAL 7016 Components: RAL 7035 Cable channel cover sheet: RAL 7035
Load range	20 - 60 kg
Life time	25.000 double strokes
Temperature range	up to appr. 45 °C

GTV 2.0

Product range

	Order No.	Weight (g)
Load range 1 / Outlet hanging	49.85 50 01	17000
Load range 2 / Outlet hanging	49.85 50 02	17000
Load range 3 / Outlet hanging	49.85 50 03	17000
Load range 1 / Outlet upright	49.85 51 01	17000
Load range 2 / Outlet upright	49.85 51 02	17000
Load range 3 / Outlet upright	49.85 51 03	17000

Load range	
Load range 1:	20 – 32 kg
Load range 2:	32 – 44 kg
Load range 3:	44 – 60 kg



GTV 2.0 outlet towards suspension system GTN II for connecting command system



Suspension system GTL outlet towards machinery



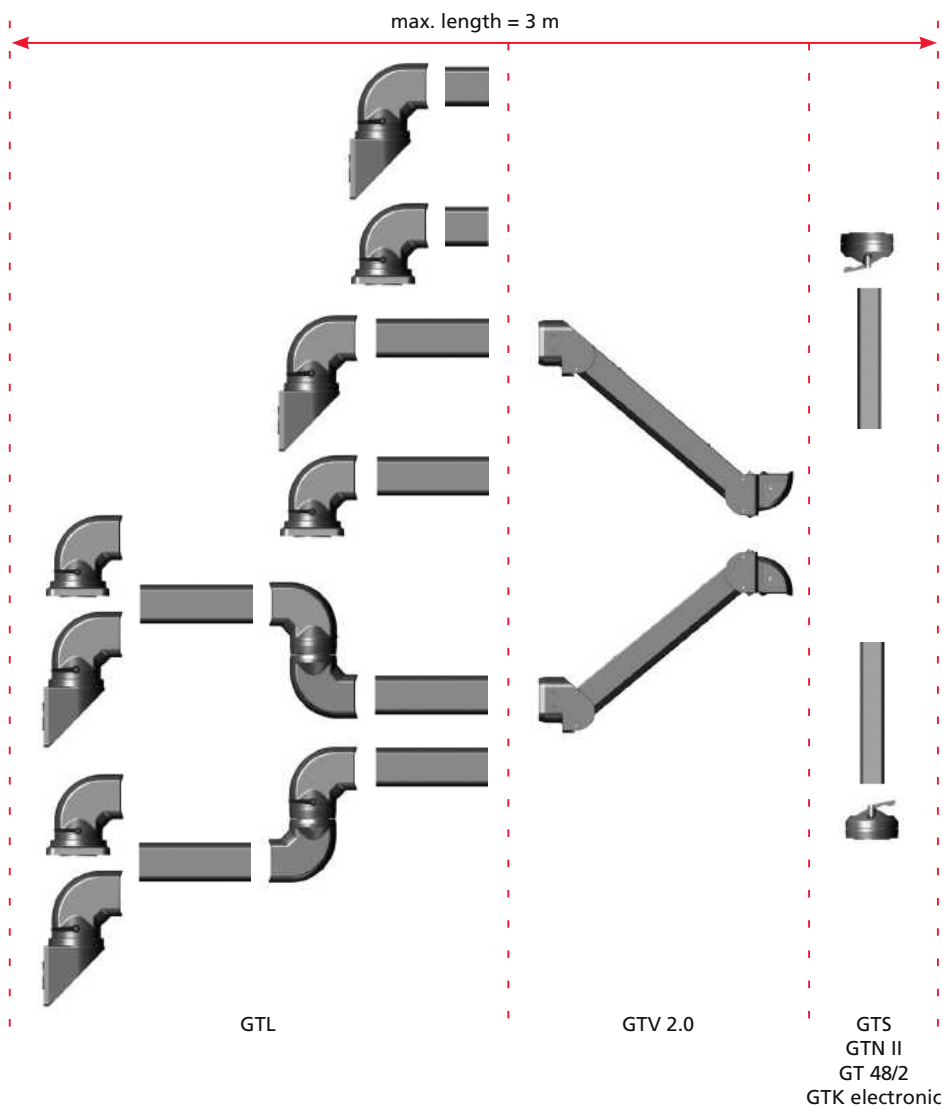
Outlet hanging



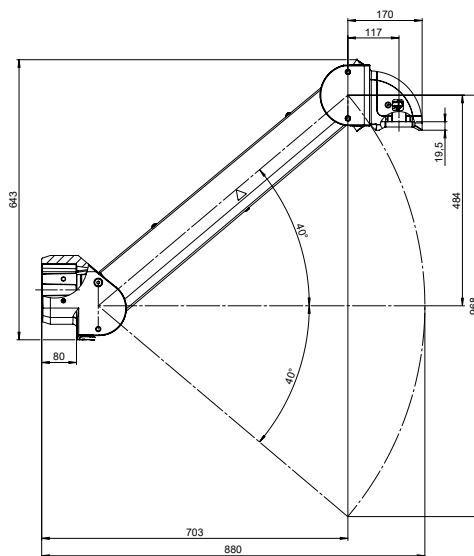
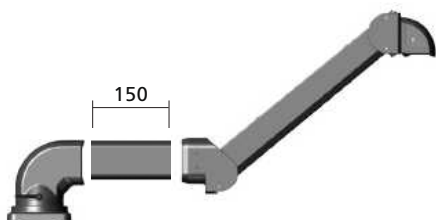
Outlet upright



Possible combinations

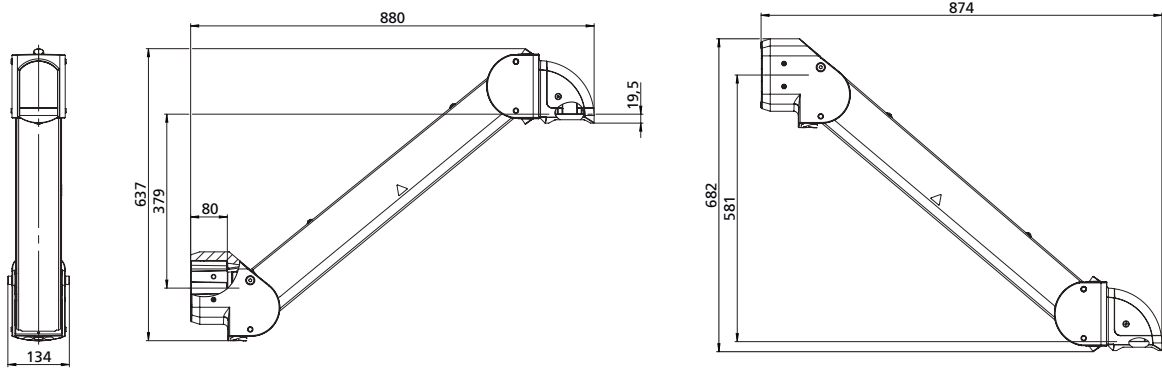


Minimum length between the joints (attachment joint, wall joint, intermediate joint) and GTV 2.0 = 150 mm



Technical details

Height adjustment system, outlet hanging



Height adjustment system, outlet upright

