

## The product advantages



Euromas X adds new formats and functions to the classic EUROMAS range. Available in ABS and polycarbonate material variants.



PC

ABS

PC variants with an injection-moulded seal provide protection class IP 66/68; ABS IP65.



Quick-Finder:  
[www.bopla.de/07](http://www.bopla.de/07)



Numerous designs are equipped with directly moulded-on wall brackets.



Euromas X enclosures have a recessed area for fitting membrane keypads or display screens.



The lid screws – secured against falling out – are screwed into high-quality threaded bushings.



Circuit boards can be securely fixed in the base by means of screw domes.





**BOPLA**

A Phoenix Mecano Company

# Euromas X



## Colour:

● Light grey, similar to RAL 7035

Special colours on request

## Protection class:

PC variants: IP66 / IP68 (1.2 m - 2 h) DIN EN 60529

ABS variants: IP65 DIN EN 60529

Impact resistance: IK07 acc. to IEC 62262

## Material:

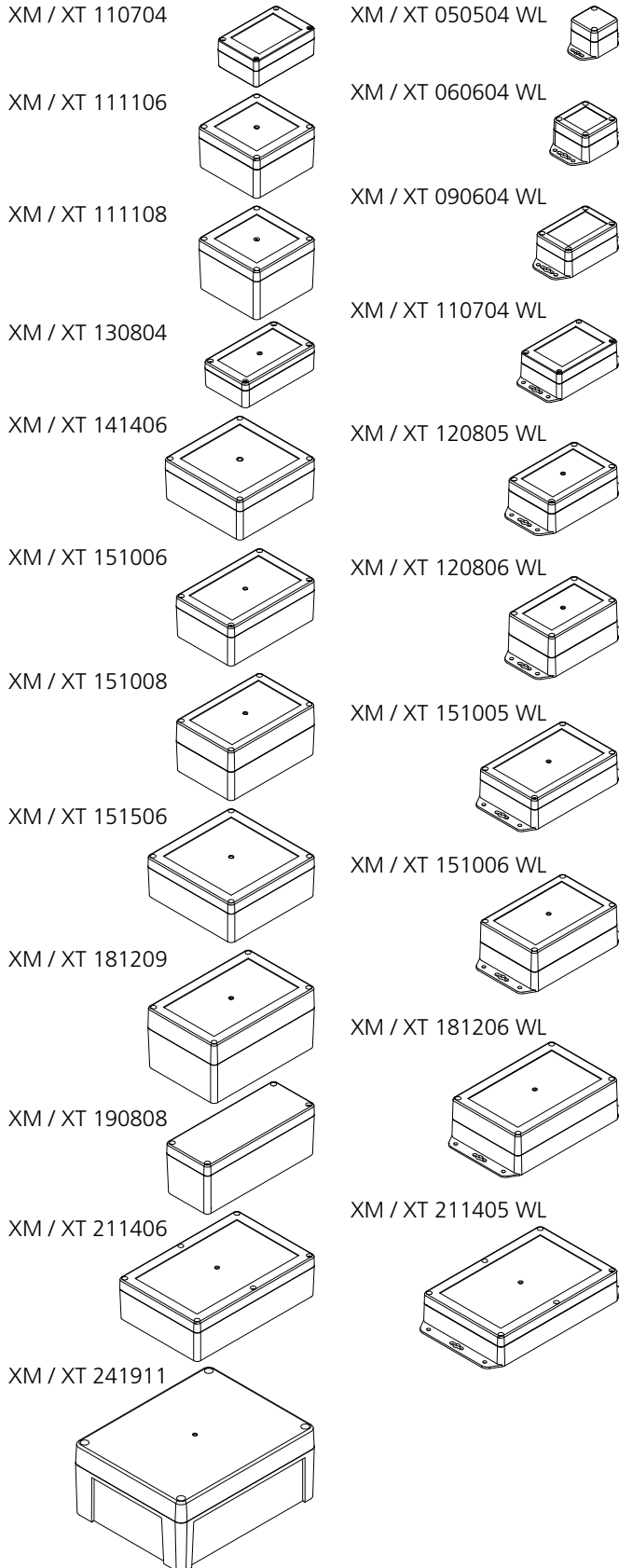
Enclosure: ABS (XT) or PC (XM)

Seal: CR bei ABS; PU for PC

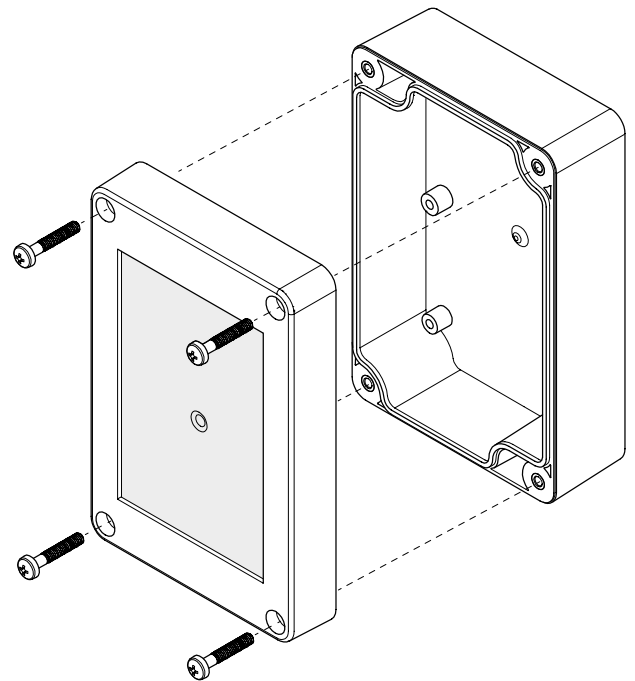
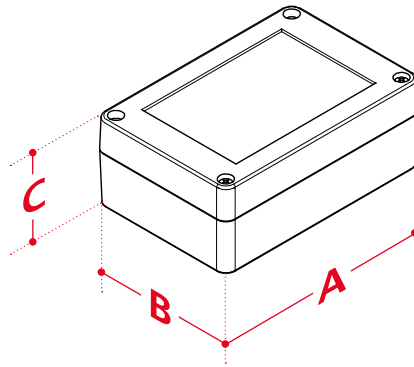
For details see "Technical information".



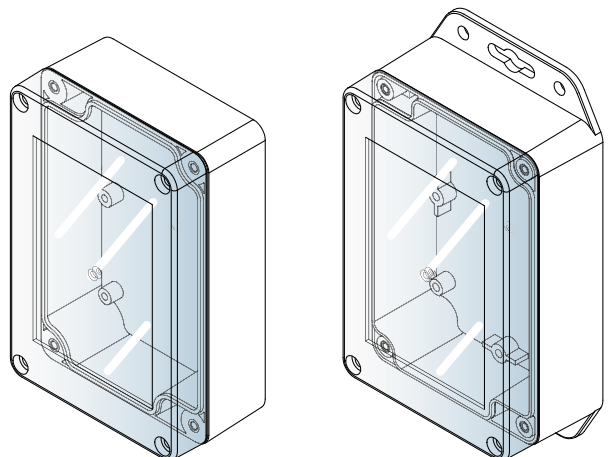
## Enclosure designs



## Design types



### Crystal-clear cover (G)



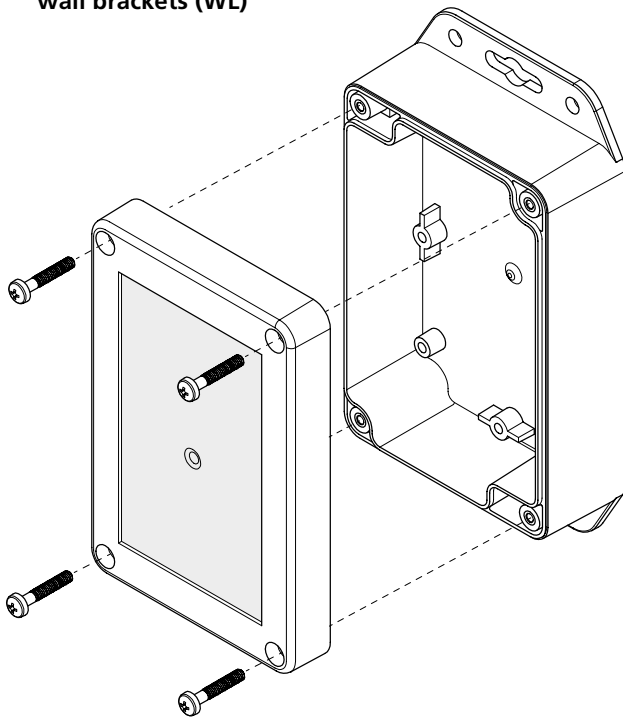


**BOPLA**

A Phoenix Mecano Company

# Euromas X

Enclosure with moulded-on wall brackets (WL)



## Dimensions

Model	A	B	C
XM (G) / XT 110704	105	70	40
XM (G) / XT 111106	105	105	60.1
XM (G) / XT 111108	104.8	104.8	74.7
XM (G) / XT 130804	125	75	37.2
XM (G) / XT 141406	134.7	134.7	60.1
XM (G) / XT 151006	150	100	60
XM (G) / XT 151008	150	100	75
XM (G) / XT 151506	149.9	149.9	60
XM (G) / XT 181209	180	120	90.3
XM (G) / XT 190808	191.8	75.1	75.3
XM (G) / XT 211406	209.7	139.8	60
XM (G) / XT 241911	240	191.3	105.6

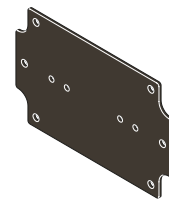
### With wall brackets

XM (G) / XT 050504 WL	44.8	44.8	40.1
XM (G) / XT 060604 WL	60	60	40.1
XM (G) / XT 090604 WL	90	60	39.9
XM (G) / XT 110704 WL	105	70	40
XM (G) / XT 120805 WL	120	80	45.2
XM (G) / XT 120806 WL	120	80	60.2
XM (G) / XT 151005 WL	150	100	45
XM (G) / XT 151006 WL	150	100	60
XM (G) / XT 181206 WL	179.9	119.9	60.2
XM (G) / XT 211405 WL	209.7	139.8	45.1

## Accessories



DIN rails  
TH 15, TH 35



Mounting panels in different versions



Mast mounting

# Euromas X

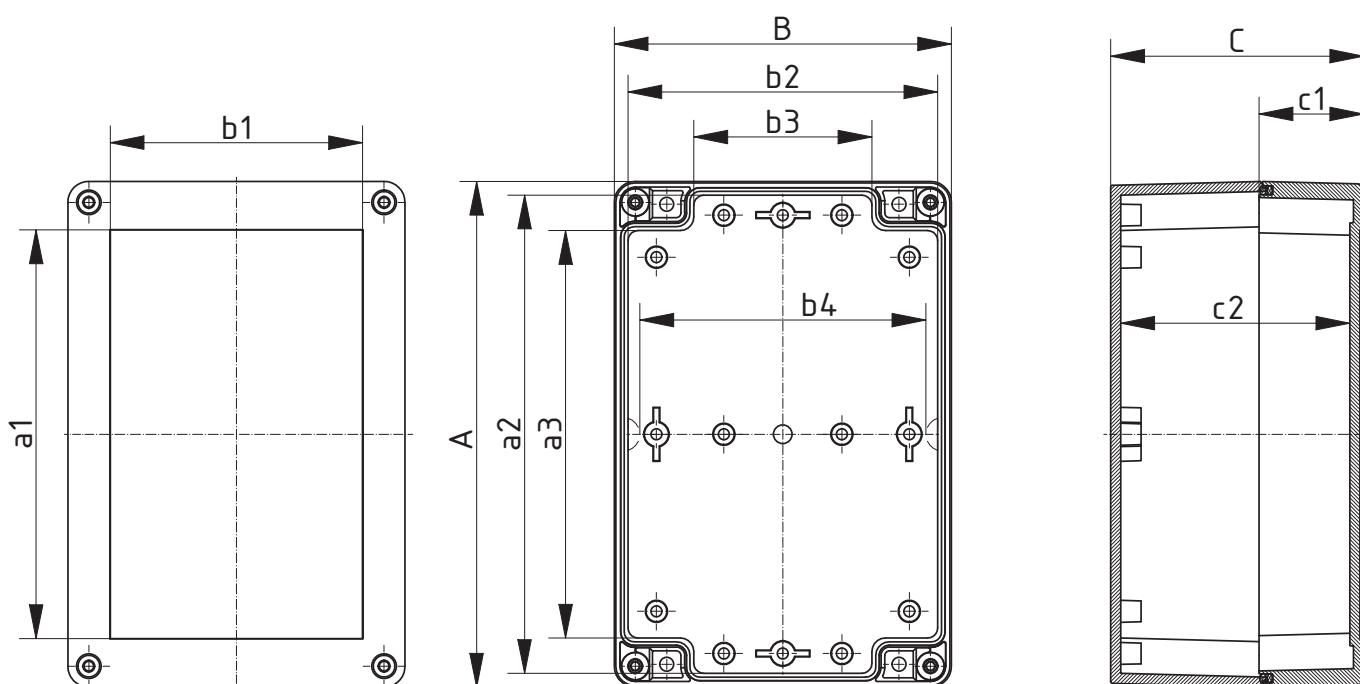
ABS, single-coloured



Enclosure, ABS

Model	Order no.	A	B	C	a1	a2	a3	b1	b2	b3	c1	c2	IP	IK
XT 110704 7035	<b>07511074</b>	105	70	40	74	49.6	15	49.6	62.6	34.9	15	32.9	65	07
XT 111106 7035	<b>07511116</b>	105	105	60.1	74.5	96	76.1	74.5	96.8	57.8	15	53	65	07
XT 111108 7035	<b>07511118</b>	104.8	104.8	74.7	74.5	95.4	74.6	74.5	95.4	56.7	15	67.6	65	07
XT 130804 7035	<b>07513084</b>	125	75	37.2	97.2	117.8	97.8	51.2	67.8	38.8	10	30	65	07
XT 141406 7035	<b>07514146</b>	134.7	134.7	60.1	104.5	126.5	105.6	104.5	126.5	87.6	15	53	65	07
XT 151006 7035	<b>07515106</b>	150	100	60	121.7	141.8	120.8	75.3	91.8	52.8	15	52.9	65	07
XT 151008 7035	<b>07515108</b>	150	100	75	121.2	141.8	120.8	74.8	91.8	52.8	30	67.9	65	07
XT 151506 7035	<b>07515156</b>	149.9	149.9	60	139.6	141.7	121	119.2	141.7	102.7	119.2	52.9	65	07
XT 181209 7035	<b>07518129</b>	180	120	90.3	149	171	150	88.8	111	72	30.1	83.2	65	07
XT 190808 7035	<b>07519088</b>	191.8	75.1	75.3	-	182.8	162.6	-	66.1	27.9	15.1	69.3	65	07
XT 211406 7035	<b>07521146</b>	209.7	139.8	60.1	179	201.5	180.6	109	131.6	92.6	15.1	52.9	65	07
XT 241911 7035	<b>07524191</b>	240	191.3	105.6	-	225.6	189.3	-	176.9	114.6	29.6	98.4	65	07

Scope Of Delivery: Lid and base, 4 screws



Z-2504703

# Euromas X

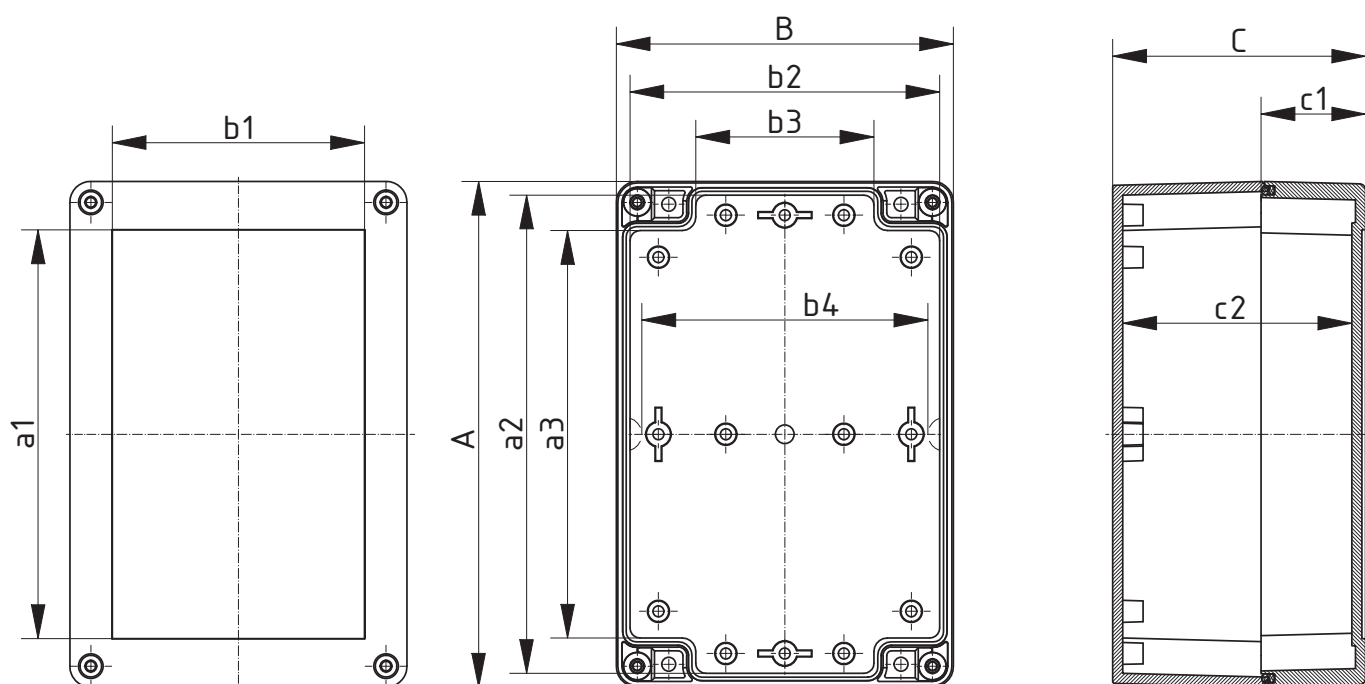
PC, single-coloured



## Enclosure, polycarbonate

Model	Order no.	A	B	C	a1	a2	a3	b1	b2	b3	c1	c2	IP	IK
XM 110704 7035	<b>07311074</b>	105	70	40	74	97.6	78.9	49.6	62.6	34.9	15	32.9	68	07
XM 111106 7035	<b>07311116</b>	105	105	60.1	74.5	96.8	76.1	74.5	96.8	57.8	15	53	66	07
XM 111108 7035	<b>07311118</b>	104.8	104.8	74.7	74.5	95.4	74.6	74.5	95.4	56.7	15	67.6	66	07
XM 130804 7035	<b>07313084</b>	125	75	37.2	97.2	117.8	97.8	51.2	67.8	38.8	10	30	66	07
XM 141406 7035	<b>07314146</b>	134.7	134.7	60.1	104.5	126.5	105.6	104.5	126.5	87.6	15	53	66	07
XM 151006 7035	<b>07315106</b>	150	100	60	121.7	141.8	120.8	75.3	91.8	52.8	15	52.9	66	07
XM 151008 7035	<b>07315108</b>	150	100	75	121.2	141.8	120.8	74.8	91.8	52.8	30	67.9	66	07
XM 151506 7035	<b>07315156</b>	149.9	149.9	60	-	141.7	121	-	141.7	102.7	119.2	52.9	66	07
XM 181209 7035	<b>07318129</b>	180	120	90.3	149	171	150	88.8	111	72	30.1	83.2	66	07
XM 190808 7035	<b>07319088</b>	191.8	75.1	75.3	-	182.8	162.6	-	66.1	27.9	15.1	69.3	66	07
XM 211406 7035	<b>07321146</b>	209.7	139.8	60.1	179	201.5	180.6	109	131.6	92.6	15.1	52.9	66	07
XM 241911 7035	<b>07324191</b>	240	191.3	105.6	-	225.6	189.3	-	176.9	114.6	29.6	98.4	66	07

Scope Of Delivery: Lid and base, 4 screws



Z-2504703

# Euromas X

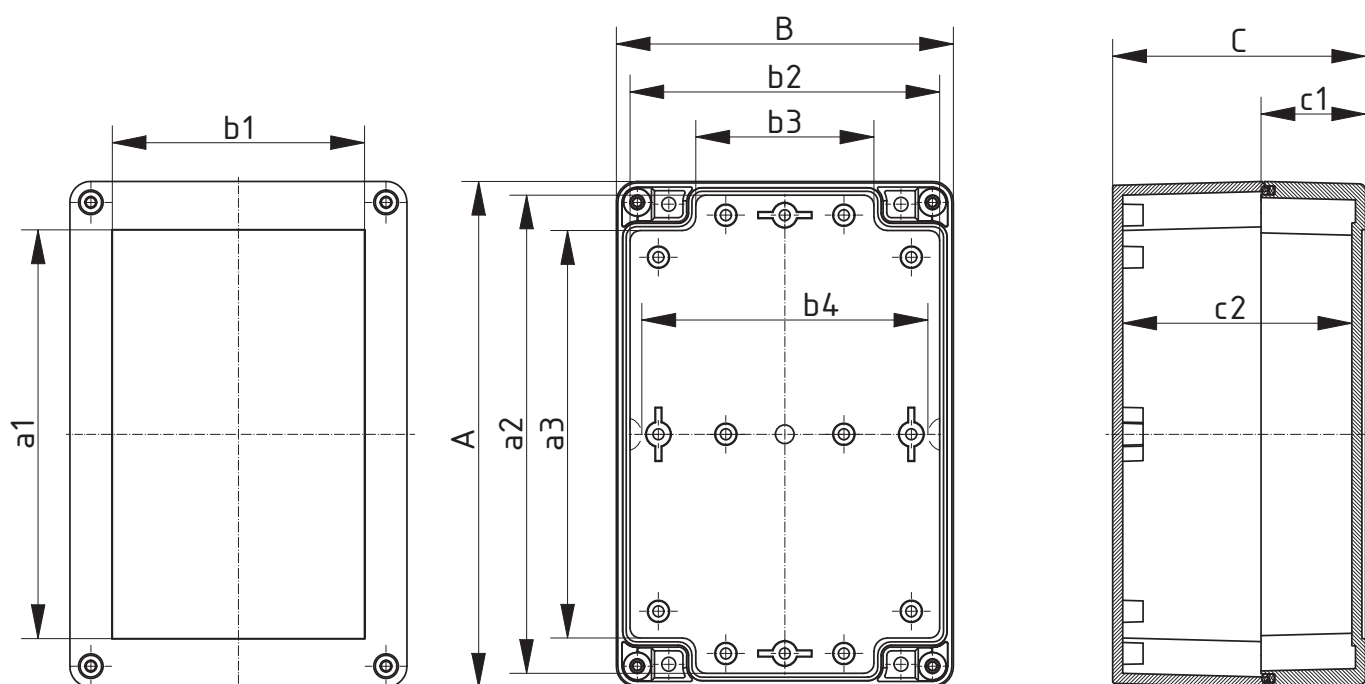
PC, crystal-clear lid



## Enclosures, polycarbonate, crystal-clear lid

Model	Order no.	A	B	C	a1	a2	a3	b1	b2	b3	c1	c2	IP	IK
XM 110704 G 7035	<b>07411074</b>	105	70	40	74	97.6	78.9	49.6	62.6	34.9	15	32.9	66	07
XM 111106 G 7035	<b>07411116</b>	105	105	60.1	74.5	96.8	76.1	74.5	96.8	57.8	15	53	66	07
XM 111108 G 7035	<b>07411118</b>	104.8	104.8	74.7	74.5	95.4	74.6	74.5	95.4	56.7	15	67.6	66	07
XM 130804 G 7035	<b>07413084</b>	125	75	37.2	97.2	117.8	97.8	51.2	67.8	38.8	10	30	66	07
XM 141406 G 7035	<b>07414146</b>	134.7	134.7	60.1	104.5	126.5	105.6	104.5	126.5	87.6	15	53	66	07
XM 151006 G 7035	<b>07415106</b>	150	100	60	121.7	141.8	120.8	75.3	91.8	52.8	15	52.9	66	07
XM 151008 G 7035	<b>07415108</b>	150	100	75	121.2	141.8	120.8	74.8	91.8	52.8	30	67.9	66	07
XM 151506 G 7035	<b>07415156</b>	149.9	149.9	60	139.6	141.7	121	119.2	141.7	102.7	119.2	52.9	66	07
XM 181209 G 7035	<b>07418129</b>	180	120	90.3	149	171	150	88.8	111	72	30.1	83.2	66	07
XM 190808 G 7035	<b>07419088</b>	191.8	75.1	75.3	-	182.8	162.6	-	66.1	27.9	15.1	69.3	66	07
XM 211406 G 7035	<b>07421146</b>	209.7	139.8	60.1	179	201.5	180.6	109	131.6	92.6	15.1	52.9	66	07
XM 241911 G 7035	<b>07424191</b>	240	191.3	105.6	-	225.6	189.3	-	176.9	114.6	29.6	98.4	66	07

Scope Of Delivery: Lid and base, 4 screws



Z-2504703

# Euromas X

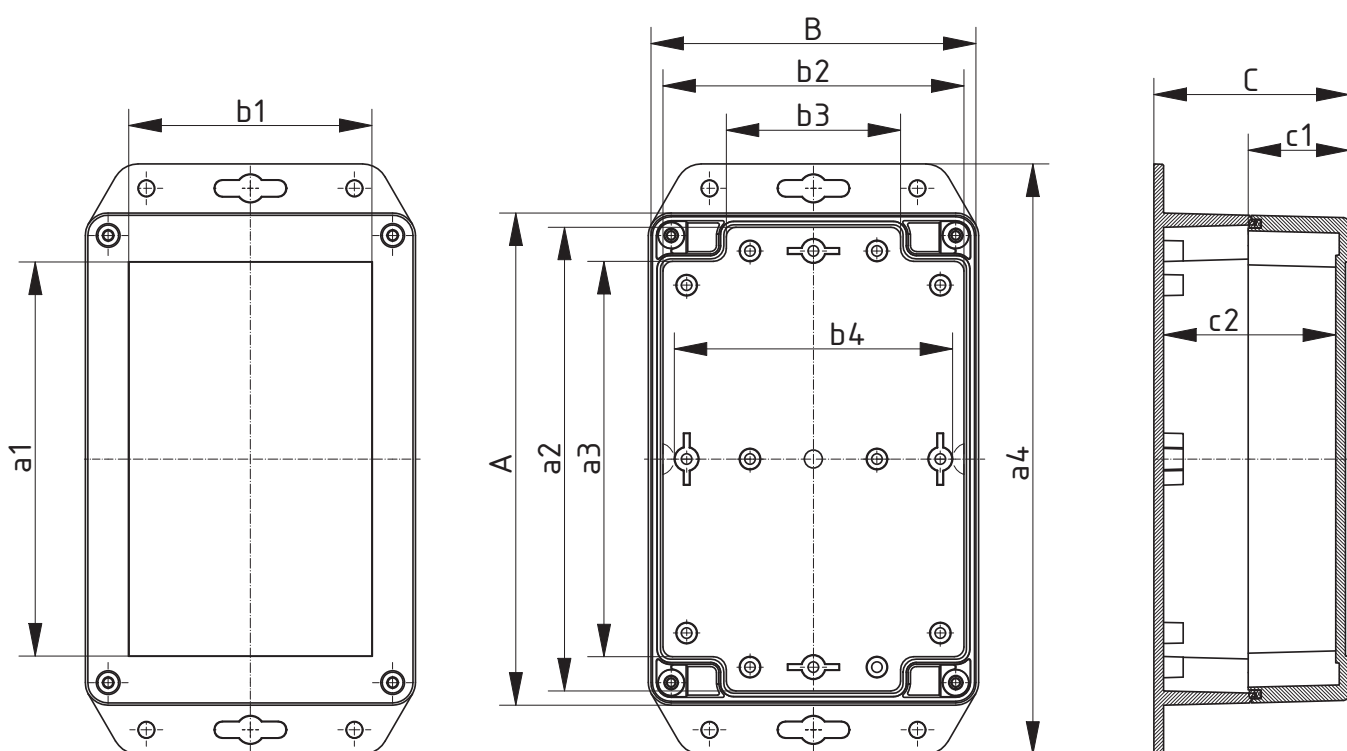
ABS, single colour, with wall brackets



## Enclosure, ABS, with wall brackets

Model	Order no.	A	B	C	a1	a2	a3	a4	b1	b2	b3	c1	c2	IP	IK
XT 050504 WL 7035	<b>07805054</b>	45.9	46	40.1	-	38.6	29.1	72.9	-	38.6	29.1	15.2	34.3	65	07
XT 060604 WL 7035	<b>07806064</b>	61.1	61.3	40	38.8	52.9	33.6	91.3	38.8	52.9	33.6	15	33	65	07
XT 090604 WL 7035	<b>07809064</b>	91.1	61.3	39.9	68.9	82.9	60.8	121.3	38.9	52.9	33.6	15	32.8	65	07
XT 110704 WL 7035	<b>07811074</b>	105.2	71.3	40	74	97.6	78.9	131.3	49.6	62.6	34.9	15	32.9	65	07
XT 120805 WL 7035	<b>07812085</b>	121.4	81.5	45.2	92	112.6	92.6	151.5	56	72.6	43.6	15.1	38	65	07
XT 120806 WL 7035	<b>07812086</b>	121.4	81.5	60.2	91.6	112.6	92.6	151.5	51.6	72.6	43.6	30.1	53	65	07
XT 151005 WL 7035	<b>07815105</b>	151.4	101.5	45	121.7	142.6	121.6	181.5	75.3	92.6	53.6	15	37.9	65	07
XT 151006 WL 7035	<b>07815106</b>	151.4	151.4	60	121.2	142.6	121.6	181.5	74.8	92.6	53.6	30	52.9	65	07
XT 181206 WL 7035	<b>07818126</b>	181.3	94.9	60.2	149	172.5	151.7	211.4	88.8	112.5	73.6	30.1	53.1	65	07
XT 211405 WL 7035	<b>07821145</b>	211.1	141.3	45.1	179	202.3	181.3	211.1	109	112.9	127.3	15.1	37.9	65	07

Scope Of Delivery: Lid and base, 4 screws



Z-2504704



# Euromas X

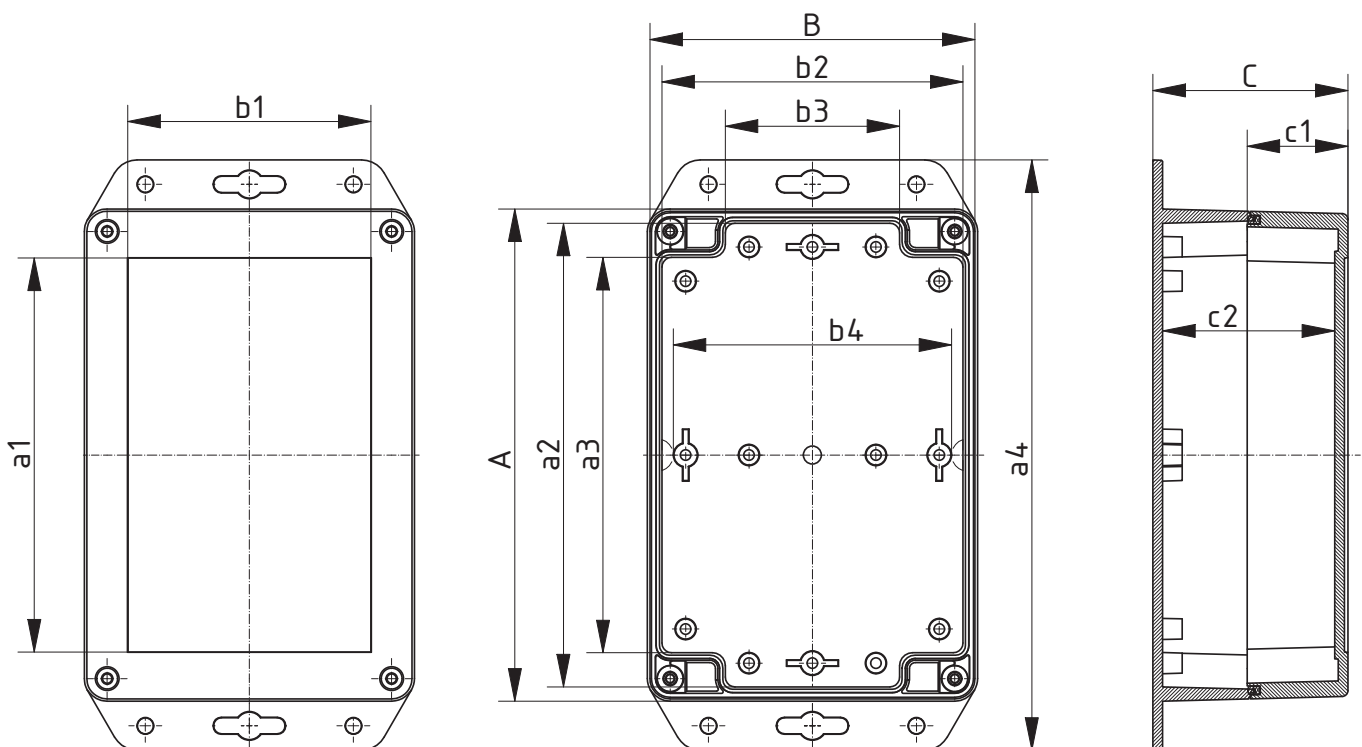
PC, single colour, with wall brackets



Enclosure, polycarbonate, with wall brackets

Model	Order no.	A	B	C	a1	a2	a3	a4	b1	b2	b3	c1	c2	IP	IK
XM 050504 WL 7035	<b>07605054</b>	45.9	46	40.1	-	38.6	29.1	72.9	-	38.6	29.1	15.2	34.3	66	07
XM 060604 WL 7035	<b>07606064</b>	61.1	61.3	40	38.8	52.9	33.6	91.3	38.8	52.9	33.6	15	33	66	07
XM 090604 WL 7035	<b>07609064</b>	91.1	61.3	39.9	68.9	82.9	60.8	121.3	38.9	52.9	33.6	15	32.8	66	07
XM 110704 WL 7035	<b>07611074</b>	105.2	71.3	40	74	97.6	78.9	131.3	49.6	62.6	34.9	15	32.9	66	07
XM 120805 WL 7035	<b>07612085</b>	121.4	81.5	45.2	92	112.6	92.6	151.5	56	72.6	43.6	15.1	38	66	07
XM 120806 WL 7035	<b>07612086</b>	121.4	81.5	60.2	91.6	112.6	92.6	151.5	51.6	72.6	43.6	30.1	53	66	07
XM 151005 WL 7035	<b>07615105</b>	151.4	101.5	45	121.7	142.6	121.6	181.5	75.3	92.6	53.6	15	37.9	66	07
XM 151006 WL 7035	<b>07615106</b>	151.4	100	60	121.2	142.6	121.6	181.5	74.8	92.6	53.6	30	52.9	66	07
XM 181206 WL 7035	<b>07618126</b>	181.3	94.9	60.2	149	172.5	151.7	211.4	88.8	112.5	73.6	30.1	53.1	66	07
XM 211405 WL 7035	<b>07621145</b>	211.1	141.3	45.1	179	202.3	181.3	211.1	109	112.9	127.3	15.1	37.9	66	07

Scope Of Delivery: Lid and base, 4 screws



Z-2504704

# Euromas X

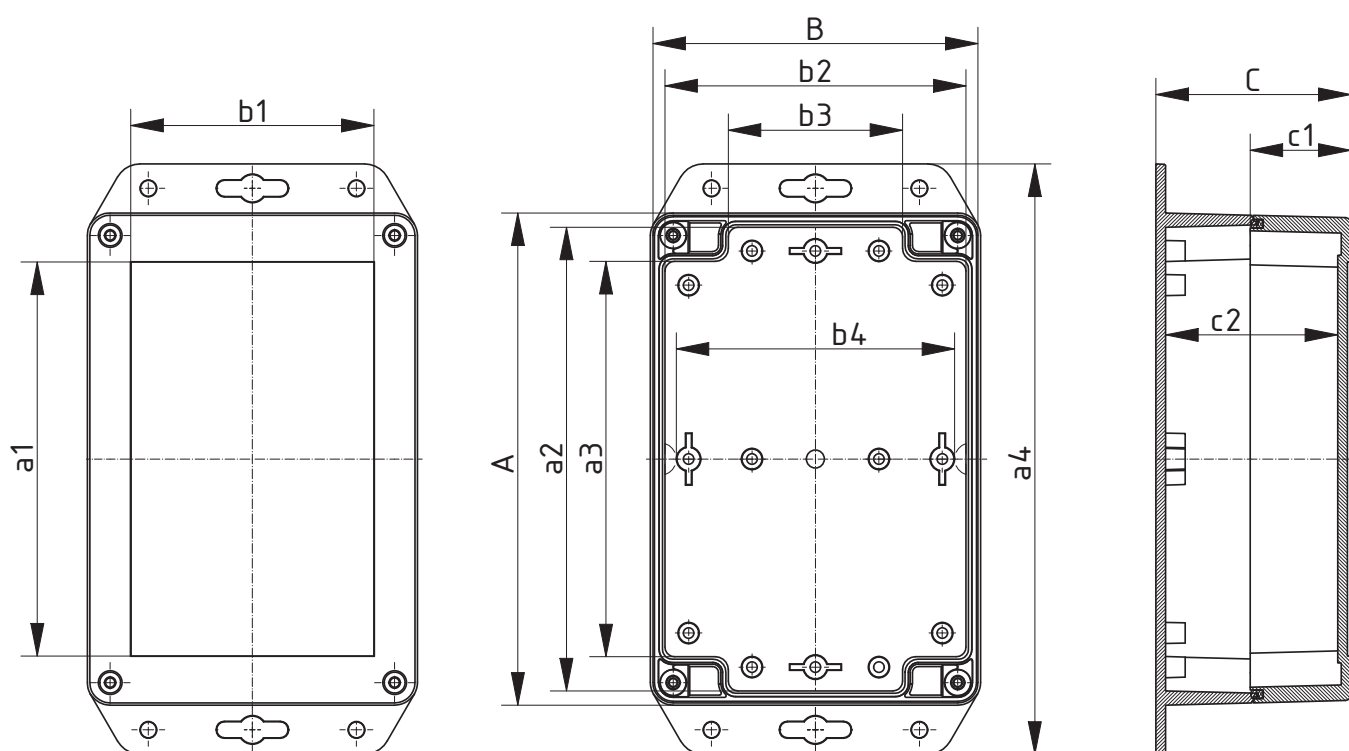
PC, crystal-clear lid, with wall brackets



## Enclosure, polycarbonate, crystal-clear lid, with wall brackets

Model	Order no.	A	B	C	a1	a2	a3	a4	b1	b2	b3	c1	c2	IP	IK
XM 050504 G WL 7035	<b>07705054</b>	45.9	46	40.1	-	38.6	29.1	72.9	-	38.6	29.1	15.2	34.3	66	07
XM 060604 G WL 7035	<b>07706064</b>	61.1	61.3	40	38.8	52.9	33.6	91.3	38.8	52.9	33.6	15	33	66	07
XM 090604 G WL 7035	<b>07709064</b>	91.1	61.3	39.9	68.9	82.9	60.8	121.3	38.9	52.9	33.6	15	32.8	66	07
XM 110704 G WL 7035	<b>07711074</b>	105.2	71.3	40	74	97.6	78.9	131.3	49.6	62.6	34.9	15	32.9	66	07
XM 120805 G WL 7035	<b>07712085</b>	121.4	81.5	45.2	92	112.6	92.6	151.5	56	72.6	43.6	15.1	38	66	07
XM 120806 G WL 7035	<b>07712086</b>	121.4	81.5	60.2	91.6	112.6	92.6	151.5	51.6	72.6	43.6	30.1	53	66	07
XM 151005 G WL 7035	<b>07715105</b>	151.4	101.5	45	121.7	142.6	121.6	181.5	75.3	92.6	53.6	15	37.9	66	07
XM 151006 G WL 7035	<b>07715106</b>	151.4	100	60	121.2	142.6	121.6	181.5	74.8	92.6	53.6	30	52.9	66	07
XM 181206 G WL 7035	<b>07718126</b>	181.3	94.9	60.2	149	172.5	151.7	211.4	88.8	112.5	73.6	30.1	53.1	66	07
XM 211405 G WL 7035	<b>07721145</b>	211.1	141.3	45.1	179	202.3	181.3	211.1	109	112.9	127.3	15.1	37.9	66	07

Scope Of Delivery: Lid and base, 4 screws



Z-2504704